

# FOCUS LED PROJECTOR



User's Manual rel 2.1 **GB**

D.T.S. Illuminazione srl - ITALY  
<http://www.dts-lighting.it>



The Lighting Company

**Made in Italy**

Le informazioni contenute in questo documento sono state attentamente redatte e controllate. Tuttavia non è assunta alcuna responsabilità per eventuali inesattezze. Tutti i diritti sono riservati e questo documento non può essere copiato, fotocopiato, riprodotto per intero o in parte senza previo consenso scritto della D.T.S .

D.T.S si riserva il diritto di apportare senza preavviso cambiamenti e modifiche estetiche , funzionali o di design a ciascun proprio prodotto. D.T.S non assume alcuna responsabilità sull'uso o sull'applicazione dei prodotti o dei circuiti descritti.

The information contained in this publication has been carefully prepared and checked. However, no responsibility will be taken for any errors. All rights are reserved and this document cannot be copied, photocopied or reproduced, in part or completely, without prior written consent from D.T.S. D.T.S. reserves the right to make any aesthetic, functional or design modifications to any of its products without prior notice. D.T.S. assumes no responsibility for the use or application of the products or circuits described herein.

Les informations contenues dans le présent manuel ont été rédigées et contrôlées avec le plus grand soin. Nous déclinons toutefois toute responsabilité en cas d'éventuelles inexactitudes. Tous droits réservés. Ce document ne peut être copié, photocopié ou reproduit, dans sa totalité ou partiellement, sans le consentement préalable de D.T.S.

D.T.S. se réserve le droit d'apporter toutes modifications et améliorations esthétiques, fonctionnelles ou de design, sans préavis, à chacun de ses produits. D.T.S. décline toute responsabilité sur l'utilisation ou sur l'application des produits ou des circuits décrits.

Las informaciones contenidas en este documento han sido cuidadosamente redactadas y controladas. Con todo, no se asume ninguna responsabilidad por eventuales inexactitudes. Todos los derechos han sido reservados y este documento no puede ser copiado, fotocopiado o reproducido, total o parcialmente, sin previa autorización escrita de D.T.S.

D.T.S. se reserva el derecho a aportar sin previo aviso cambios y modificaciones de carácter estético, funcional o de diseño a cada producto suyo. D.T.S. no se asume responsabilidad de ningún tipo sobre la utilización o sobre la aplicación de los productos o de los circuitos descritos.

## FOCUS FC / FOCUS R FC

### D.T.S. Product Codes:

03.LCB001E21FC10	FOCUS FC Spot lenses
03.LCB001E21FC25	FOCUS FC Medium flood lenses
03.LCB001E21FC40	FOCUS FC Wide flood lenses
03.LCT001E99FC10	FOCUS R FC Spot lenses
03.LCT001E99FC25	FOCUS R FC Medium flood lenses
03.LCT001E99FC40	FOCUS R FC Wide flood lenses

### LED technology

3 x FULL RGBW LEDs; 920 Lumens  
 No infrared emission; no ultraviolet emission  
 LEDs average lifespan: 50.000 hours (70% lumen output)

### Optical units

3 lenses sets available (Spot, Medium flood, Wide flood)

### Control

Via any DMX lighting console (Z1 PLUS or Z8 power supply needed)

### Protection

IP65 protection level against the penetration of solids and liquids

### Construction

FOCUS FC and FOCUS R FC are made on aluminium and stainless steel.  
 FOCUS FC is fitted with a mounting bracket for installation on walls, trusses, etc.  
 FOCUS R FC features a reinforced structure with a round flange for recessed installation.

### Power supply

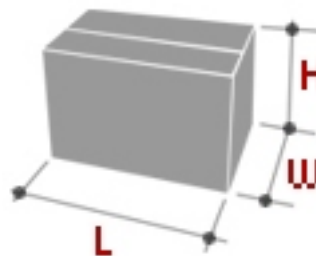
External dedicated Z1 PLUS or Z8 power supply / LED controller  
 Electronic full-range: AC 90-260V , 50/60 Hz  
 Power consumption: 21W

### Connection

8 poles cable (1 m length)

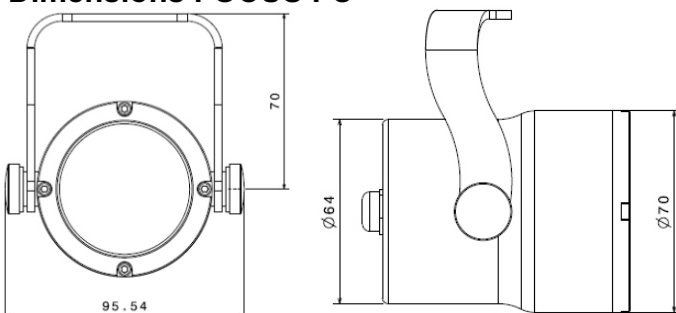
### Weight

FOCUS FC: 0,8 Kg  
 FOCUS R FC: 1 Kg

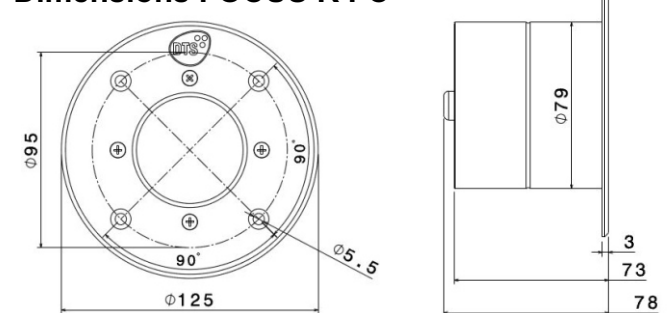


Packing Dimensions  
 (LxWxH)  
 170 x 100 x 180 mm

### Dimensions FOCUS FC



### Dimensions FOCUS R FC



## FOCUS CT / FOCUS R CT

### D.T.S. Product Codes:

03.LCB001E21FB10	FOCUS CT Spot lenses
03.LCB001E21FB25	FOCUS CT Medium flood lenses
03.LCB001E21FB40	FOCUS CT Wide flood lenses
03.LCT001E99FB10	FOCUS R CT Spot lenses
03.LCT001E99FB25	FOCUS R CT Medium flood lenses
03.LCT001E99FB40	FOCUS R CT Wide flood lenses

### LED technology

3 x FULL WHITE LEDs; 1324 Lumens  
 No infrared emission; no ultraviolet emission  
 LEDs average lifespan: 50.000 hours (70% lumen output)

### Optical units

3 lenses sets available (Spot, Medium flood, Wide flood)

### Control

Via any DMX lighting console (Z1 PLUS or Z8 power supply needed)

### Protection

IP65 protection level against the penetration of solids and liquids

### Construction

FOCUS CT and FOCUS R CT are made on aluminium and stainless steel.  
 FOCUS CT is fitted with a mounting bracket for installation on walls, trusses, etc.  
 FOCUS R CT features a reinforced structure with a round flange for recessed installation.

### Power supply

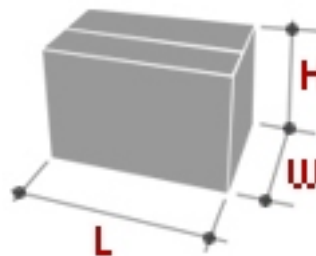
External dedicated Z1 PLUS or Z8 power supply / LED controller  
 Electronic full-range: AC 90-260V , 50/60 Hz  
 Power consumption: 21W

### Connection

8 poles cable (1 m length)

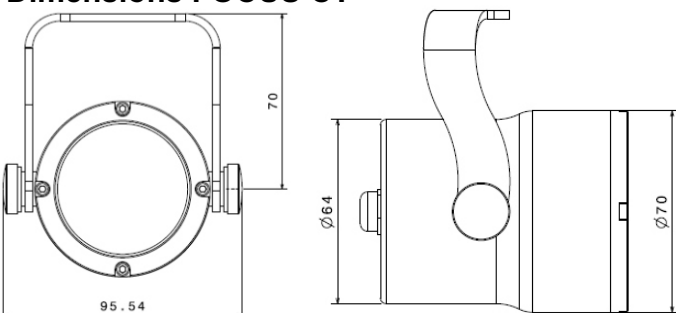
### Weight

FOCUS CT: 0,8 Kg  
 FOCUS R CT: 1 Kg

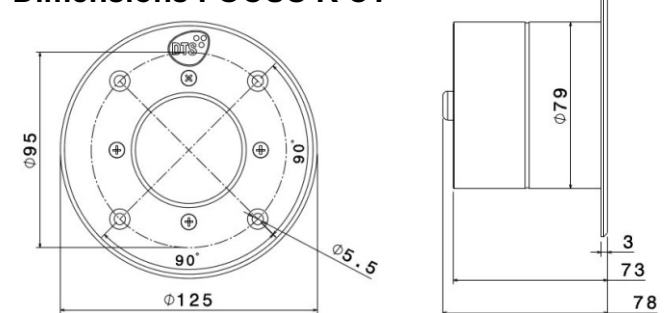


Packing Dimensions  
 (LxWxH)  
 170 x 100 x 180 mm

### Dimensions FOCUS CT



### Dimensions FOCUS R CT



## **FOCUS WHITE / FOCUS R WHITE**

### **D.T.S. Product codes:**

03.LCB001E21WB10	FOCUS WHITE 3000°K Spot lenses
03.LCB001E21WB25	FOCUS WHITE 3000°K Medium flood lenses
03.LCB001E21WB40	FOCUS WHITE 3000°K Wide flood lenses
03.LCB001E21WE10	FOCUS WHITE 4000°K Spot lenses
03.LCB001E21WE25	FOCUS WHITE 4000°K Medium flood lenses
03.LCB001E21WE40	FOCUS WHITE 4000°K Wide flood lenses
03.LCB001E21WG10	FOCUS WHITE 5600°K Spot lenses
03.LCB001E21WG25	FOCUS WHITE 5600°K Medium flood lenses
03.LCB001E21WG40	FOCUS WHITE 5600°K Wide flood lenses
03.LCT001E99WB10	FOCUS R WHITE 3000°K Spot lenses
03.LCT001E99WB25	FOCUS R WHITE 3000°K Medium flood lenses
03.LCT001E99WB40	FOCUS R WHITE 3000°K Wide flood lenses
03.LCT001E99WE10	FOCUS R WHITE 4000°K Spot lenses
03.LCT001E99WE25	FOCUS R WHITE 4000°K Medium flood lenses
03.LCT001E99WE40	FOCUS R WHITE 4000°K Wide flood lenses
03.LCT001E99WG10	FOCUS R WHITE 5600°K Spot lenses
03.LCT001E99WG25	FOCUS R WHITE 5600°K Medium flood lenses
03.LCT001E99WG40	FOCUS R WHITE 5600°K Wide flood lenses

### **LED technology**

3 x WHITE LEDs (3000°K, 4000°K or 5600°K); Lumens: 420 (3000°K / 4000°K), 550 (5600°K)  
 No infrared emission; no ultraviolet emission  
 LEDs average lifespan: 50.000 hours (70% lumen output)

### **Optical units**

3 lenses sets available (Spot, Medium flood, Wide flood)

### **Control**

Via any DMX lighting console (Z1 PLUS or Z8 power supply needed)

### **Protection**

IP65 protection level against the penetration of solids and liquids

### **Construction**

FOCUS WHITE and FOCUS R WHITE are made on aluminium and stainless steel.  
 FOCUS WHITE is fitted with a mounting bracket for installation on walls, trusses, etc.  
 FOCUS R WHITE features a reinforced structure with a round flange for recessed installation.

### **Power supply**

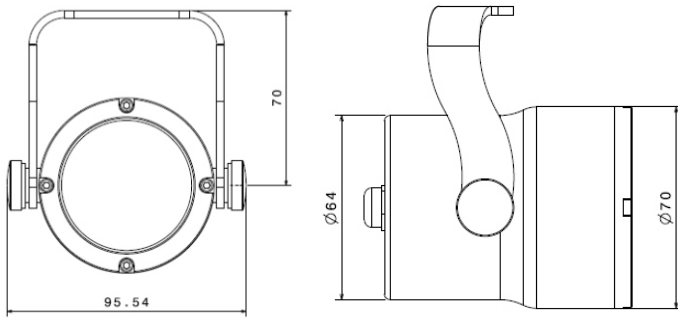
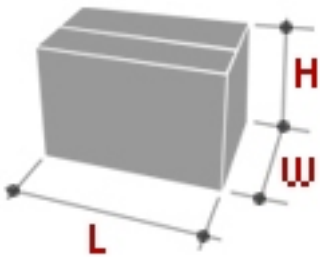
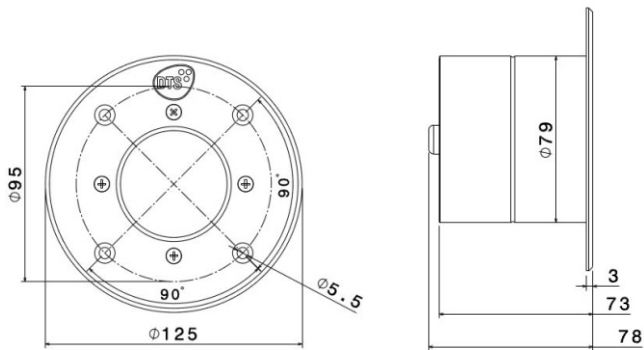
External dedicated Z1 PLUS or Z8 power supply / LED controller  
 Electronic full-range: AC 90-260V , 50/60 Hz  
 Power consumption: 6W Max

### **Connection**

6 poles cable (1 m length)

### **Weight**

FOCUS WHITE: 0,8 Kg  
 FOCUS R WHITE: 1 Kg

**Dimensions FOCUS WHITE****Dimensions FOCUS R WHITE**

Packing Dimensions  
(LxWxH)  
170 x 100 x 180 mm

## **FOCUS WHITE 12V DC / FOCUS R WHITE 12V DC**

### **D.T.S. Product codes:**

03.LCB002E21WB10	FOCUS WHITE 3000°K 12V DC Spot lenses
03.LCB002E21WB25	FOCUS WHITE 3000°K 12V DC Medium flood lenses
03.LCB002E21WB40	FOCUS WHITE 3000°K 12V DC Wide flood lenses
03.LCB002E21WE10	FOCUS WHITE 4000°K 12V DC Spot lenses
03.LCB002E21WE25	FOCUS WHITE 4000°K 12V DC Medium flood lenses
03.LCB002E21WE40	FOCUS WHITE 4000°K 12V DC Wide flood lenses
03.LCB002E21WG10	FOCUS WHITE 5600°K 12V DC Spot lenses
03.LCB002E21WG25	FOCUS WHITE 5600°K 12V DC Medium flood lenses
03.LCB002E21WG40	FOCUS WHITE 5600°K 12V DC Wide flood lenses
03.LCT002E99WB10	FOCUS R WHITE 3000°K 12V DC Spot lenses
03.LCT002E99WB25	FOCUS R WHITE 3000°K 12V DC Medium flood lenses
03.LCT002E99WB40	FOCUS R WHITE 3000°K 12V DC Wide flood lenses
03.LCT002E99WE10	FOCUS R WHITE 4000°K 12V DC Spot lenses
03.LCT002E99WE25	FOCUS R WHITE 4000°K 12V DC Medium flood lenses
03.LCT002E99WE40	FOCUS R WHITE 4000°K 12V DC Wide flood lenses
03.LCT002E99WG10	FOCUS R WHITE 5600°K 12V DC Spot lenses
03.LCT002E99WG25	FOCUS R WHITE 5600°K 12V DC Medium flood lenses
03.LCT002E99WG40	FOCUS R WHITE 5600°K 12V DC Wide flood lenses

### **LED technology**

3 x WHITE LEDs (3000°K, 4000°K or 5600°K); Lumens: 420 (3000°K / 4000°K), 550 (5600°K)

No infrared emission; no ultraviolet emission

LEDs average lifespan: 50.000 hours (70% lumen output)

### **Optical units**

3 lenses sets available (Spot, Medium flood, Wide flood)

### **Control**

ON / OFF

### **Protection**

IP65 protection level against the penetration of solids and liquids

### **Construction**

FOCUS WHITE 12V DC and FOCUS R WHITE 12V DC are made on aluminium and stainless steel.

FOCUS WHITE 12V DC is fitted with a mounting bracket for installation on walls, trusses, etc.

FOCUS R WHITE 12V DC features a reinforced structure with a round flange for recessed installation.

### **Power supply**

External dedicated 12V DC Power supply

Electronic full-range: AC 90-260V , 50/60 Hz

Power consumption: 6W Max

### **Connection**

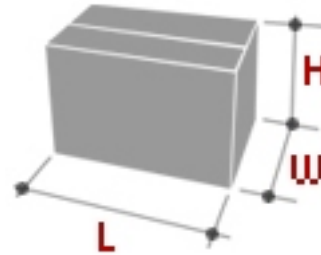
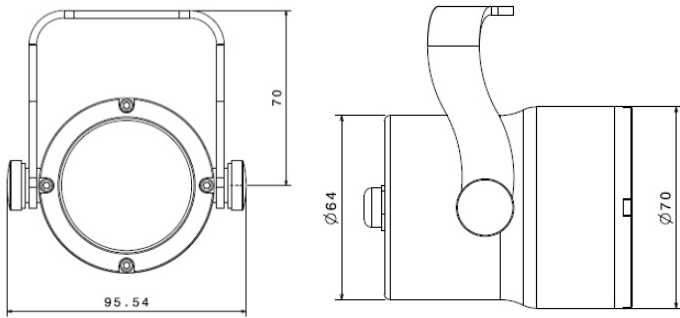
2 poles cable (1 m length)

### **Weight**

FOCUS WHITE 12V DC: 0,8 Kg

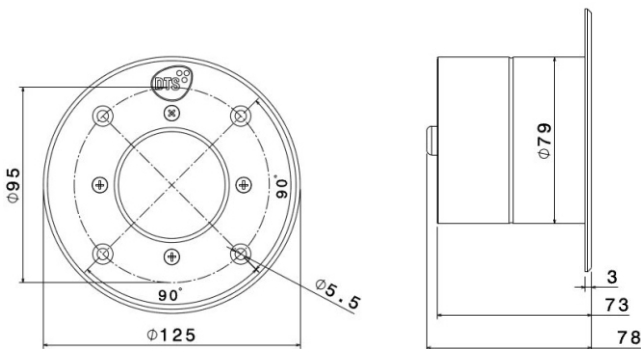
FOCUS R WHITE 12V DC: 1 Kg

### Dimensions FOCUS WHITE 12V DC



Packing Dimensions  
(LxWxH)  
170 x 100 x 180 mm

### Dimensions FOCUS R WHITE 12V DC



### ACCESSORIES

- Z1 PLUS IP20 Power supply / LED controller (Code 03.LA.009P)
- Z1 PLUS IP65 Power supply / LED controller (Code 03.LA.009P.IP65)
- Z8 M12 IP20 Power supply / LED controller (Code 03.LA.075.V2)
- Z8 Screw terminals IP20 Power supply / LED controller (Code 03.LA.080.V2)
- 20W 12V DC Power supply (Code 0502B023)
- 100W 12V DC Power supply (Code 0502T067)

### IMPORTANT SAFETY INFORMATION

#### Fire prevention:

It is permissible to place the unit on normally flammable surfaces.

Suitable for mounting on normally flammable materials surfaces greater than 200°C with some combustion time lag.

#### Safety:

The external surface of the unit may exceed 50°C, never handle the unit until at least 5 minutes have elapsed since the unit was turned off.

Never install the unit in an enclosed area lacking sufficient air flow.

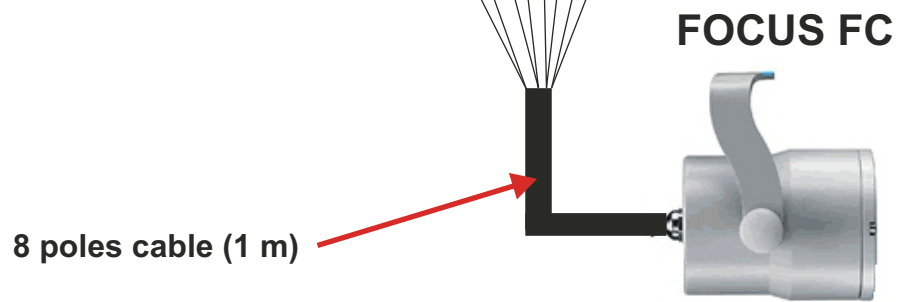
The ambient temperature should not exceed 40°C and should not be lower than -10°C.

**WIRING DIAGRAMS**

FOCUS FC and CT models are provided with a 8 poles cable (1 m length).

CONNECTION		
PIN OUT	LED	WIRES COLOURS
PIN 1	RED +	WHITE
PIN 2	RED -	BROWN
PIN 3	GREEN +	GREEN
PIN 4	GREEN -	YELLOW
PIN 5	BLUE +	GREY
PIN 6	BLUE -	PINK
PIN 7	WHITE +	RED
PIN 8	WHITE -	BLUE

LEDs OUTPUT							
1	2	3	4	5	6	7	8
R+	R-	G+	G-	B+	B-	W+	W-

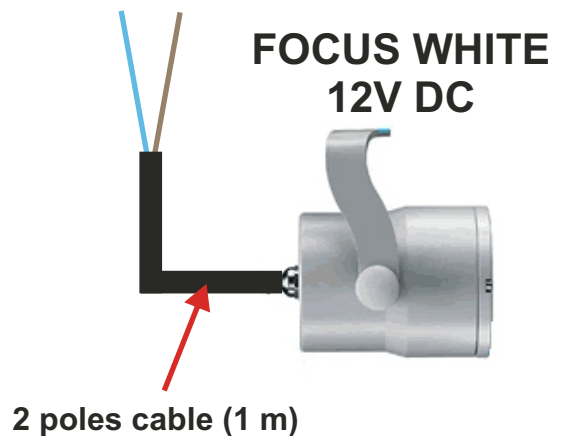
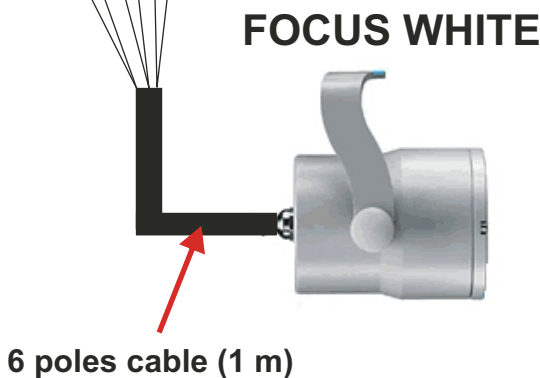


FOCUS WHITE is provided with a 6 poles cable (1 m length).  
 FOCUS WHITE 12V DC is provided with a 2 poles cable (1 m length).

CONNECTION		
PIN OUT	LED	WIRES COLOURS
PIN 1	WHITE1 +	Red
PIN 2	WHITE1 -	Red/White
PIN 3	WHITE2 +	Green
PIN 4	WHITE2 -	Green/White
PIN 5	WHITE3 +	Blue
PIN 6	WHITE3 -	Blue/White

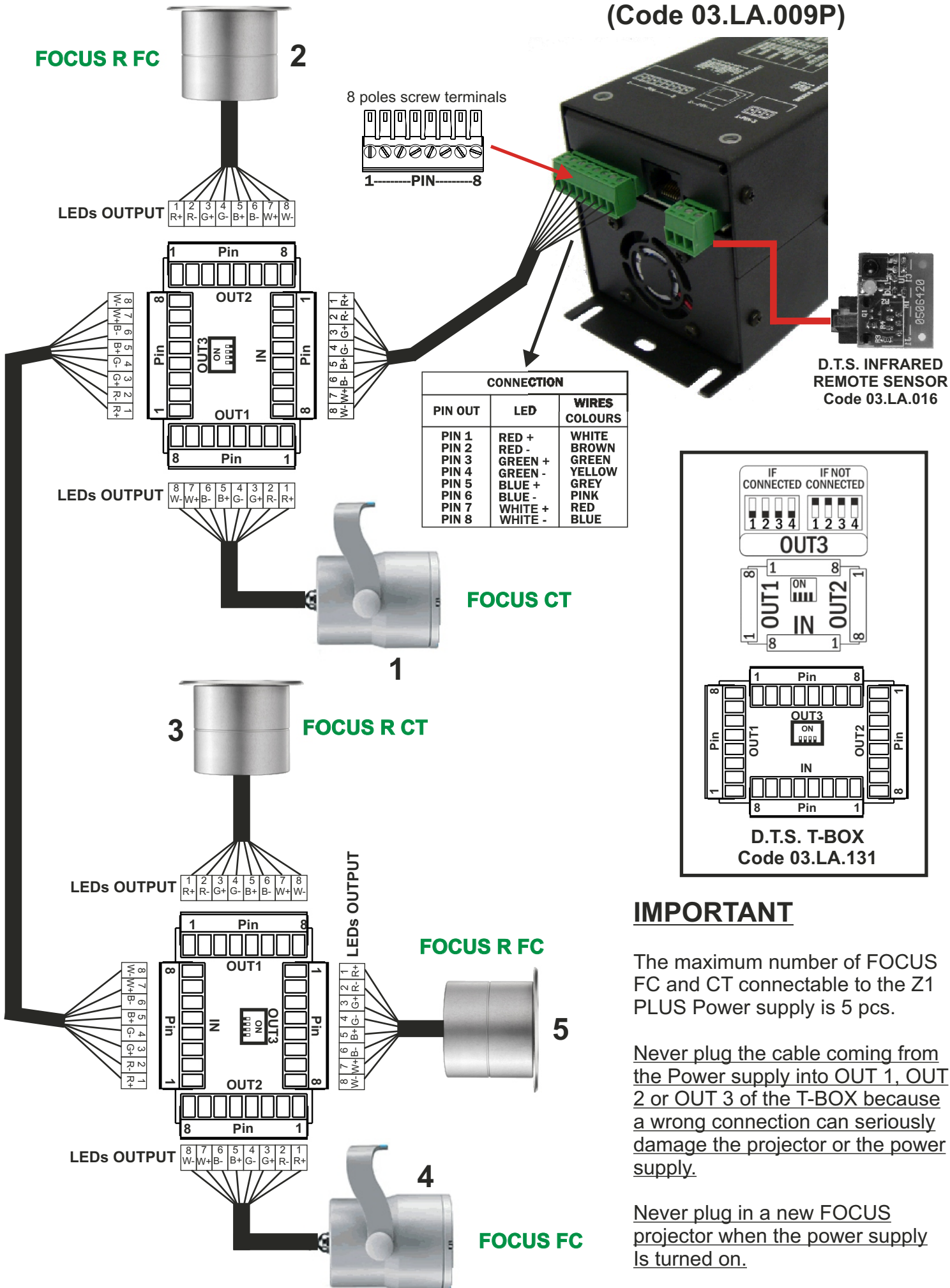
LEDs OUTPUT					
1	2	3	4	5	6
W+	W-	W+	W-	W+	W-

CONNECTION	
PIN OUT	WIRES COLOURS
+12V DC	BROWN
GND	BLUE



**WIRING CONNECTIONS**

**Z1 PLUS IP 20 LED Controller  
(Code 03.LA.009P)**



**IMPORTANT**

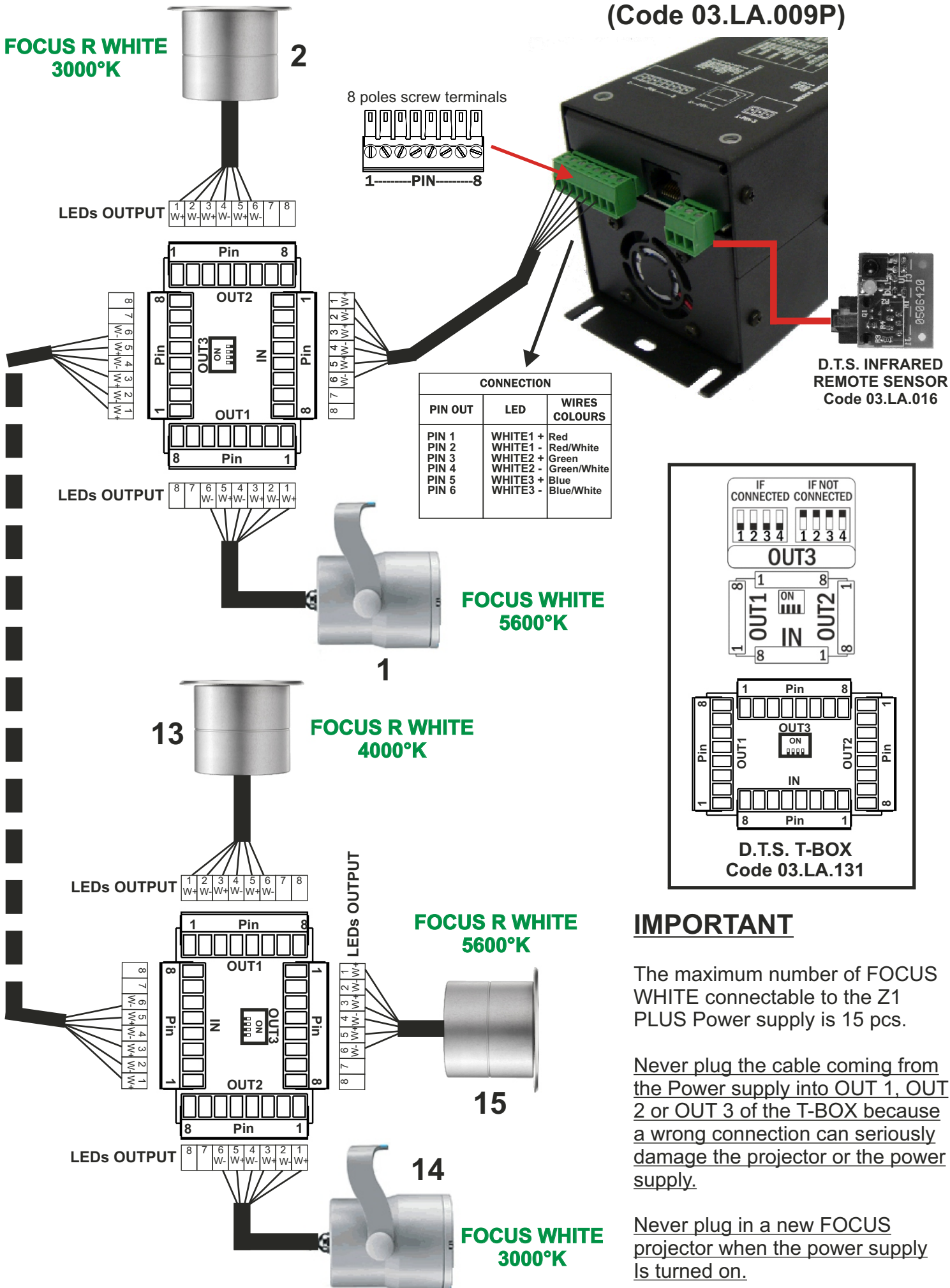
The maximum number of FOCUS FC and CT connectable to the Z1 PLUS Power supply is 5 pcs.

Never plug the cable coming from the Power supply into OUT 1, OUT 2 or OUT 3 of the T-BOX because a wrong connection can seriously damage the projector or the power supply.

Never plug in a new FOCUS projector when the power supply is turned on.

**WIRING CONNECTIONS**

**Z1 PLUS IP 20 LED Controller  
(Code 03.LA.009P)**



**IMPORTANT**

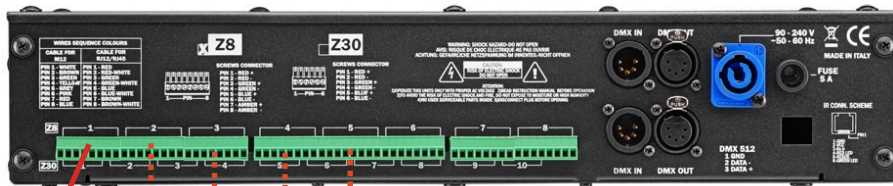
The maximum number of FOCUS WHITE connectable to the Z1 PLUS Power supply is 15 pcs.

Never plug the cable coming from the Power supply into OUT 1, OUT 2 or OUT 3 of the T-BOX because a wrong connection can seriously damage the projector or the power supply.

Never plug in a new FOCUS projector when the power supply is turned on.

**WIRING CONNECTIONS**

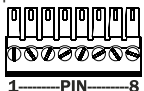
**Z8 IP20 LED Controller Screw terminals Output (Code 03.LA.080.V2)**



**FOCUS R WHITE 3000°K**

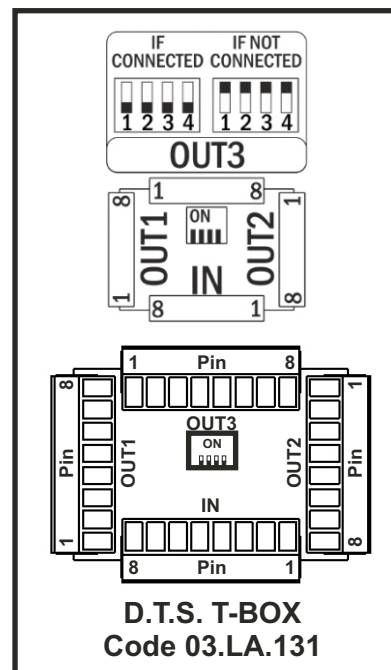
2

8 poles screw terminals



OUTPUT 5  
OUTPUT 4  
OUTPUT 3  
OUTPUT 2

CONNECTION		
PIN OUT	LED	WIRES COLOURS
PIN 1	WHITE1 +	Red
PIN 2	WHITE1 -	Red/White
PIN 3	WHITE2 +	Green
PIN 4	WHITE2 -	Green/White
PIN 5	WHITE3 +	Blue
PIN 6	WHITE3 -	Blue/White



**IMPORTANT**

The maximum number of FOCUS WHITE connectable to each Z8 Power supply output is 15 pcs.

Never plug the cable coming from the Power supply into OUT 1, OUT 2 or OUT 3 of the T-BOX because a wrong connection can seriously damage the projector or the power supply.

Never plug in a new FOCUS projector when the power supply is turned on.

LEDs OUTPUT

LEDs OUTPUT

**FOCUS WHITE 5600°K**

1

**FOCUS R WHITE 4000°K**

13

**FOCUS R WHITE 5600°K**

15

LEDs OUTPUT

14

**FOCUS WHITE 3000°K**

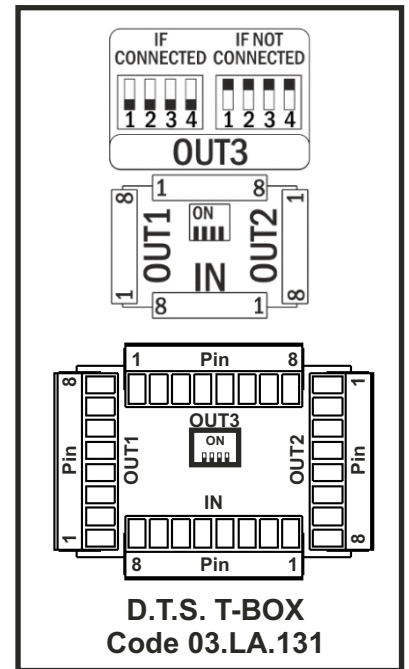
**WIRING CONNECTIONS**

**Z8 IP20 LED Controller Screw terminals Output (Code 03.LA.080.V2)**



OUTPUT 5  
OUTPUT 4  
OUTPUT 3  
OUTPUT 2

CONNECTION		
PIN OUT	LED	WIRES COLOURS
PIN 1	RED +	WHITE
PIN 2	RED -	BROWN
PIN 3	GREEN +	GREEN
PIN 4	GREEN -	YELLOW
PIN 5	BLUE +	GREY
PIN 6	BLUE -	PINK
PIN 7	WHITE +	RED
PIN 8	WHITE -	BLUE

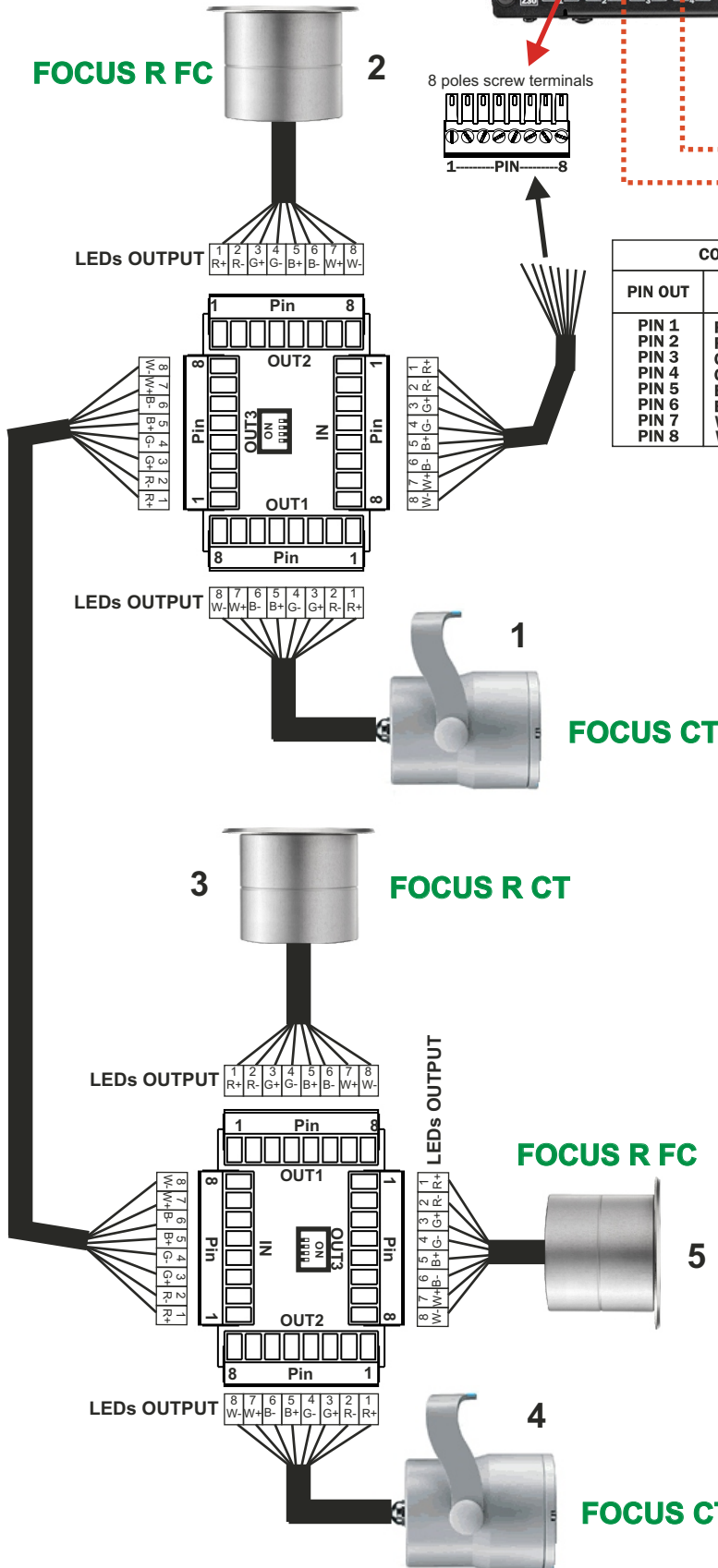


**IMPORTANT**

The maximum number of FOCUS FC and CT connectable to each Z8 Power supply output is 5 pcs.

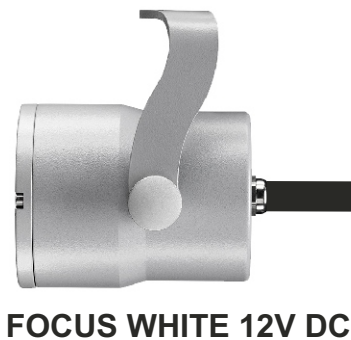
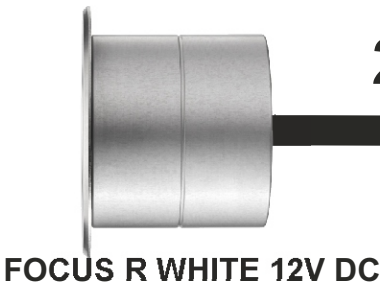
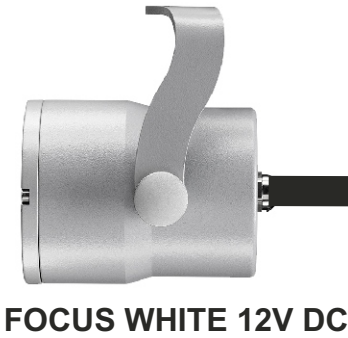
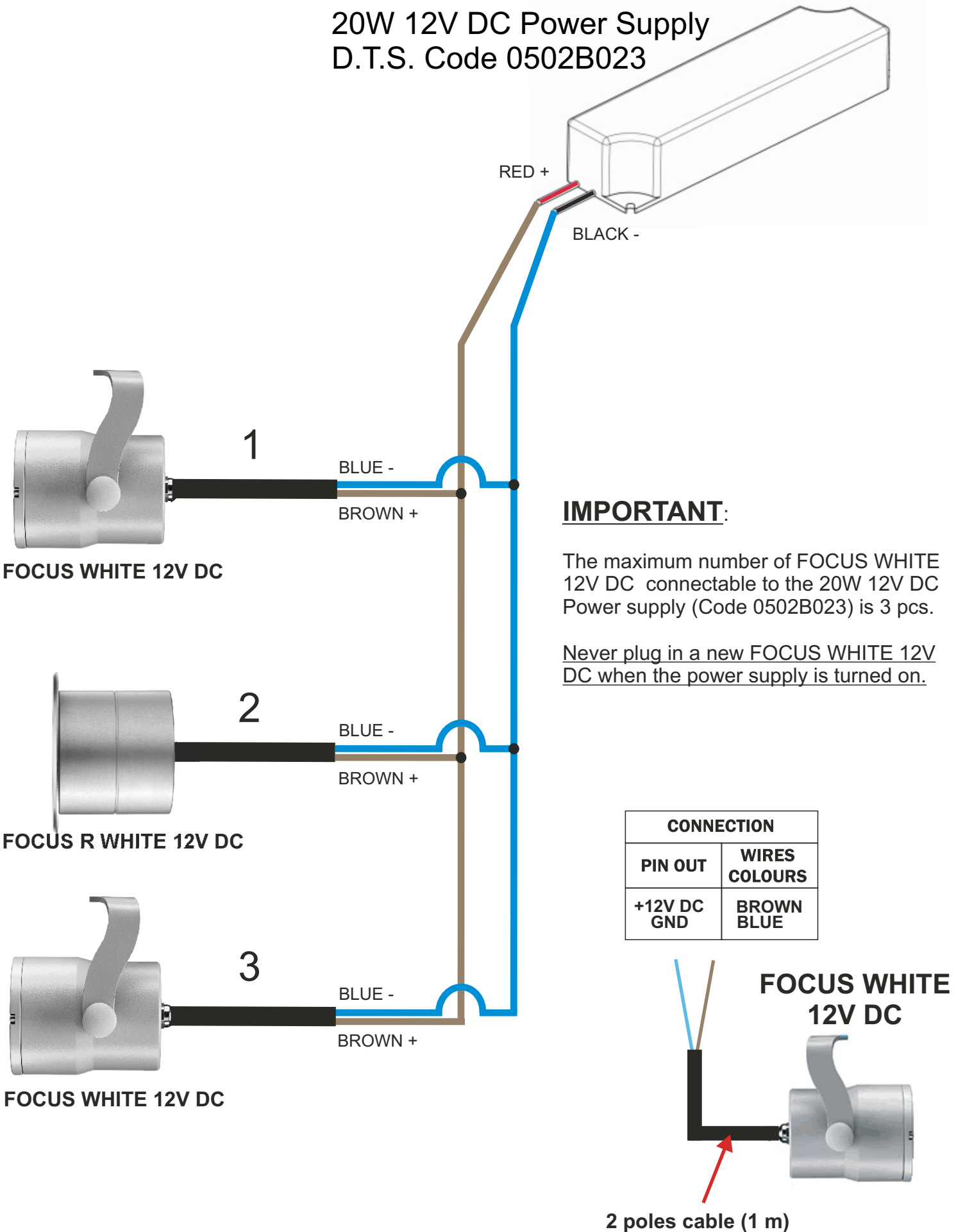
Never plug the cable coming from the Power supply into OUT 1, OUT 2 or OUT 3 of the T-BOX because a wrong connection can seriously damage the projector or the power supply.

Never plug in a new FOCUS projector when the power supply is turned on.

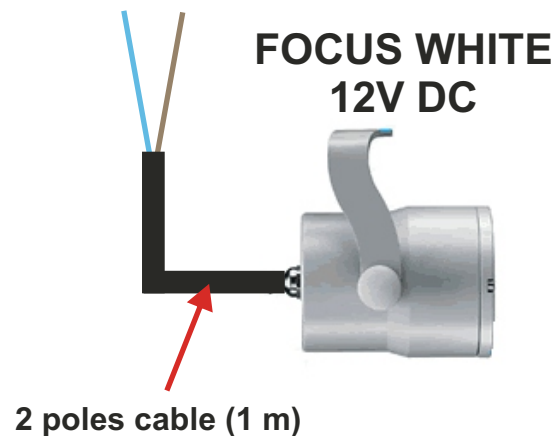


**WIRING CONNECTIONS**

20W 12V DC Power Supply  
D.T.S. Code 0502B023



CONNECTION	
PIN OUT	WIRES COLOURS
+12V DC	BROWN
GND	BLUE



**NOTES**

The information contained in this publication has been carefully prepared and checked. However, no responsibility will be taken for any errors. All rights are reserved and this document cannot be copied, photocopied or reproduced, in part or completely, without prior written consent from D.T.S.

D.T.S. reserves the right to make any aesthetic, functional or design modifications to any of its products without prior notice. D.T.S. assumes no responsibility for the use or application of the products or circuits described herein.

**MADE IN ITALY**



**The Lighting Company**

**ISO 9001:2008**

D.T.S. quality system  
is certified to the  
ISO 9001:2008 standard



D.T.S. products are designed  
and manufactured at the D.T.S.  
plants in Italy



05171090