



NEVER STOP EVOLVING

**ENTERTAINMENT
PRODUCT LIST 2020**



THE FUTURE OF LIGHTING
SINCE 1980

INDEX

PROFILE MOVING HEADS

SYNERGY 5 PROFILE 10-11

SPOT/BEAM MOVING HEADS

SYNERGY 5 SPOT 14-15

CORE 16-17

EVO 18-19

MAX L 20-21

RAPTOR 22-23

WASH MOVING HEADS

ALCHEMY 5 26-27

ALCHEMY 3 28-29

EUPHONY 3 30-31

NICK NRG 1401 32-33

LED BARS

KATANA 36-37

FOS 100 DYNAMIC SOLO FC 38-39

FOS 100 POWER SOLO FC 40-41

FOS 100 SOLO FC 42-43

CONVENTIONAL PROJECTORS LEDS

SCENA LED 200 (Fresnel - Antihalo) 46-47

SCENA LED 200 CT (Fresnel - Antihalo) 48-49

SCENA LED 200 FC 50-51

SCENA LED 120 HQS 52-53

SCENA LED 80 54-55

SCENA LED 80 CT 56-57

SCENA LED 80 FC

PROFILO LED 200 58-59

PROFILO LED 200 CT 60-61

PROFILO LED 200 FC 62-63

PROFILO LED 120 HQS 64-65

PROFILO LED 80 66-67

PROFILO LED 80 CT 68-69

PROFILO LED 80 FC 70-71

72-73

CONVENTIONAL PROJECTORS LAMP

FLASH 76-77

SCENA S 78-79

PROFILO 80-81

ARCHITAINMENT

X BRICK 84-85

BRICK 86-87

MINI BRICK 88-89

CONTROLLERS/DEVICES

STICK DE3 92-93

MASTER SOFTWARE 4 92-93

SPLITTER 94-95

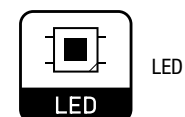
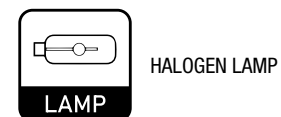
DPU 1213 94-95

ACCESSORIES

98-101

KEYS

SOURCE



OPTICAL GROUP



TREATMENTS



DEGREES OF IK PROTECTION



OUTPUT



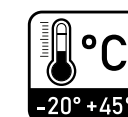
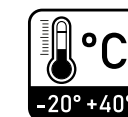
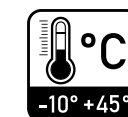
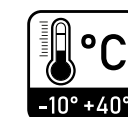
DTS PATENT



SHIPPING FOAM



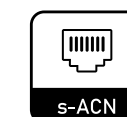
OPERATION TEMPERATURE RANGE



IP PROTECTION DEGREE



CONTROL



INTERNATIONAL CERTIFICATIONS





ITALIAN PROFESSIONAL LIGHTING

Founded in 1980, DTS is an industry leader in professional lighting design. Driven by our passion and extensive experience, we create and manufacture unique projectors addressed to both entertainment and architectural markets.

Started as a family business, DTS owns 3 production plants (totaling 12,000 square meters) and sells worldwide to more than 70 countries. All production phases are completely based in Italy, from concept to assembly, and all the company's suppliers operate in the same region, supporting and strengthening the local economy.

The result is a wide range of innovative products with unparalleled quality, sealed by the prestigious ISO 9001:2015 certification and recognized by a growing number of architects, designers, distributors and system integrators.

DTS offers the following services to ensure each project fulfills the customer's unique set of requirements.

**MADE IN
ITALY**



PROPOSING SOLUTIONS MEANS VALUE YOUR PROJECTS INTEGRATING INFORMATION CONSULTING AND ASSISTANCE

Pre-sales consulting

A team of professional consultants will suggest the best solution for each lighting project based on your specific needs.

Customization

DTS is designed in such a way that all departments work in close connection, sharing their knowledge and working together to find the best possible solution for every lighting project.

After-sales assistance

DTS ensures the highest level of customer care with technical assistance available 7 days a week, regular software upgrades, video tutorials, comprehensive literature and product training.

Warranty

All projectors are guaranteed with a generous three-year warranty. We are proud of the craftsmanship and technical excellence that goes into making our products.



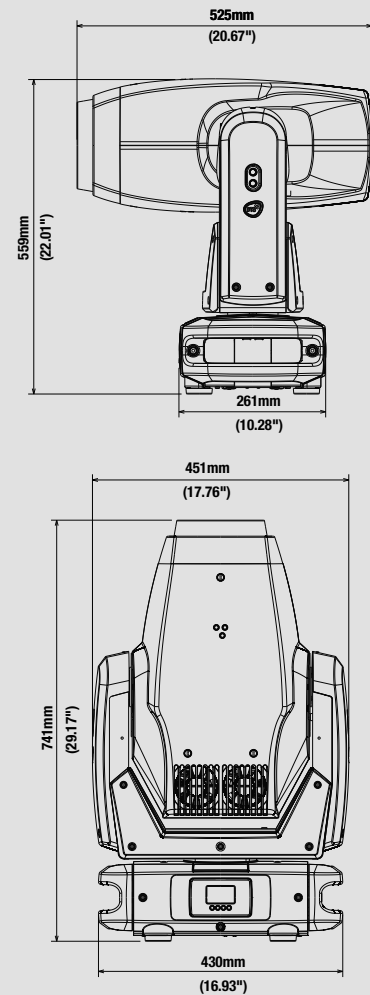




SYNERGY 5 PROFILE



HIGH POWER LED MOVING HEAD WITH FRAMING SYSTEM



TECHNICAL DATA

OUTPUT

- 420 W pure white LED source (7000 K 16,500 Lumens output)
- Double CRI (DMX-selectable): CRI >90 or CRI >75
- Average LED life: 50,000 hours (70% lumen output)

OPTICAL GROUP

- 49,900 Lux (4.6°@ 5 m)
- 4.6° - 43° linear zoom with autofocus
- Linear soft frost filter (Medium and Heavy frost filters available on demand)
- Electronic dimmer / shutter / strobe (0.3 to 33.3 flash/sec)

COLOR GENERATION

- Linear CMY
- Linear CTO (3000 K – 7000 K)
- Gel filter emulation
- 6-color wheel
- Two-color generation

DYNAMIC EFFECTS

- Dynamove FX Engine (DTS Patent)
- Virtual Animation Wheel
- Customizable rotating 6-gobo wheel
- Circular 24-facet rotating prism
- Linear 6-facet rotating prism

ROTATING FRAMING SYSTEM

- 4-blade rotating framing system
- Real "curtain" effect for each blade
- 60° rotation for each blade (+/- 30°)
- 90° full system rotation (+/- 45°)

CONTROL

- LCD graphic display + 4 soft-keys; Auto-flip; Key-Lock function
- Art-Net 4, sACN, RDM/DMX 512 protocols
- Internal operating system updatable via DTS dongle firmware uploader

- Li-Fe backup battery for controlling the display settings even when the unit is not powered

DMX

- 44 DMX channels (Default)
- 53 DMX channels:
 - 16 bit index for insertion and rotation of each blade
 - 16 bit index for blade system rotation

PAN & TILT

- Pan: 540°: 2.7 sec.
- Tilt: 240°: 1.6 sec.
- Tri-phase stepper motor technology;
- 16-bit resolution
- Selectable speed ranges
- Pan / Tilt lock

POWER SUPPLY

- Full-range 100-277Vac 50-60 Hz
- Power consumption: 550 W max
- Power Factor: PF >0.90

CONNECTIONS

- DMX: XLR 3-pole and 5-pole In / Out panel connectors
- Power supply: powerCON TRUE1 In / Out panel connectors
- Art-Net / sACN: etherCON RJ45 panel connector

INTERNAL SAFETY DEVICES

- Overvoltage and overtemperature circuits protection

OPERATING TEMPERATURE

-10° / 45° C

PHYSICAL

- IP20
- Weight: 35 Kg (77 lbs)
- Finishing: Black

ACCESSORIES INCLUDED

- 1 x Synergy EZ-shell- 560 x 490 x 670 mm - 2 pcs needed in each flightcase (code 0512K146.1)
- 1 x Soft frost filter - already mounted on the unit (code 02SK0410)
- 1 x PowerCON TRUE1 female cable connector (code 0520P066)
- 1 x XLR 5 pins female cable connector (code 0508B147)
- 1 x XLR 5 pins male cable connector (code 0508B148)
- 2 x Kit Omega clamp "Fast Lock" (code 02K00549)

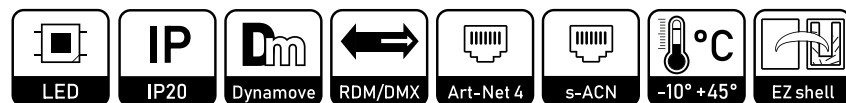
ACCESSORIES ON REQUEST

- Medium frost filter (code 02SK0428)
- Heavy frost filter (code 02SK0430)
- Flightcase for 2 units (code 0521C073)
- Aliscap clamp for tube diameter 48-51 mm - max. load. 200 Kg (code 0521A033)
- G-QUICK clamp Professional - max. load 100 Kg (code 0521A037)
- Outdoor DMX cable 2 x 0,25 mm² - Flame retardant (code 0509C158)
- Safety cable 5 x 600 mm - max capacity load 60 Kg (code 0521A038)
- DTS dongle firmware uploader (code 03.LA.206)

PHOTOMETRIC DATA

	mt 5 ft 16.40	mt 10 ft 32.81	mt 15 ft 49.21	mt 20 ft 65.62	mt 25 ft 82.02	
BEAM ANGLE 4.6°	lux center (lx)	49940	12485	5549	3121	1998
	foot candles (fc)	4641	1160	516	290	186
	diameter (cm)	40	80	120	161	201
	diameter (ft)	1.32	2.64	3.95	5.27	6.59
BEAM ANGLE 43°		mt 3 ft 9.84	mt 6 ft 19.68	mt 9 ft 29.53	mt 12 ft 39.37	mt 15 ft 49.21
	lux center (lx)	4119	1030	458	257	165
	foot candles (fc)	383	96	43	24	15
	diameter (cm)	236	473	709	945	1182
	diameter (ft)	7.75	15.51	23.26	31.02	38.77

FEATURES



OPTIONALS

CERTIFICATIONS



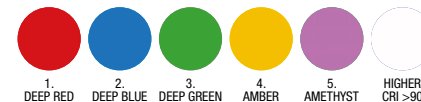
CODE

03.MP001

ROTATING GOBO WHEEL



COLOR WHEEL



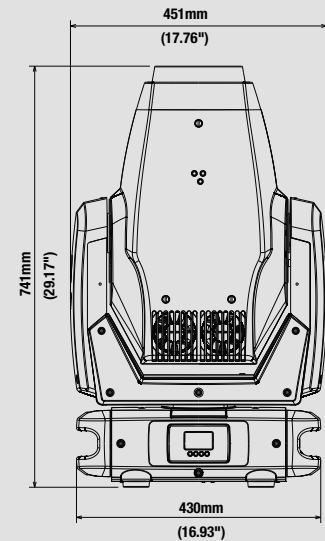
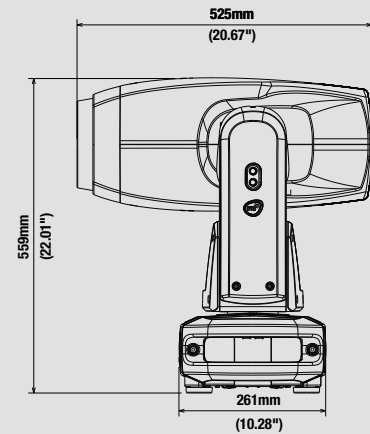




SYNERGY 5 SPOT



HIGH POWER LED MOVING HEAD FOR ENTERTAINMENT AND BROADCAST APPLICATIONS



TECHNICAL DATA

OUTPUT

- 420 W pure white LED source (7000 K 16,500 Lumens output)
- Double CRI (DMX-selectable): CRI >90 or CRI >75
- Average LED life: 50,000 hours (70% lumen output)

OPTICAL GROUP

- 48,500 Lux (5.5°@ 5 m)
- 5.5° - 43° linear zoom with autofocus
- Linear soft frost filter (Medium and Heavy frost filters available on demand)
- Electronic dimmer / shutter / strobe (0.3 to 33.3 flash/sec)

COLOR GENERATION

- Linear CMY
- Linear CTO (3000 K – 7000 K)
- Gel filter emulation
- 6-color wheel
- Two-color generation

DYNAMIC EFFECTS

- Dynamove FX Engine (DTS Patent)
- Virtual Animation Wheel
- Customizable rotating 6-gobo wheel
- Fixed 13-gobo wheel
- Circular 24-facet rotating prism
- Linear 6-facet rotating prism

CONTROL

- LCD graphic display + 4 soft-keys; Auto-flip; Key-Lock function
- Art-Net 4, sACN, RDM/DMX 512 protocols
- Internal operating system updatable via DTS dongle firmware uploader

- Li-Fe backup battery for controlling the display settings even when the unit is not powered

DMX

- 37 DMX channels

PAN & TILT

- Pan: 540°: 2.7 sec.
- Tilt: 240°: 1.6 sec.
- Tri-phase stepper motor technology;
- 16-bit resolution
- Selectable speed ranges
- Pan / Tilt lock

POWER SUPPLY

- Full-range 100-277Vac 50-60 Hz
- Power consumption: 550 W max
- Power Factor: PF >0.90

CONNECTIONS

- DMX: XLR 3-pole and 5-pole In / Out panel connectors
- Power supply: powerCON TRUE1 In / Out panel connectors
- Art-Net / sACN: etherCON RJ45 connector

INTERNAL SAFETY DEVICES

- Overvoltage and overtemperature circuits protection

OPERATING TEMPERATURE

-10° / 45° C

PHYSICAL

- IP20
- Weight: 35 Kg (77 lbs)
- Finishing: Black

ACCESSORIES INCLUDED

- 1 x Synergy EZ-shell- 560 x 490 x 670 mm - 2 pcs needed in each flightcase (code 0512K146.1)
- 1 x Soft frost filter - already mounted on the unit (code 02SK0410)
- 1 x PowerCON TRUE1 female cable connector (code 0520P066)
- 1 x XLR 5 pins female cable connector (code 0508B147)
- 1 x XLR 5 pins male cable connector (code 0508B148)
- 2 x Kit Omega clamp "Fast Lock" (code 02K00549)

ACCESSORIES ON REQUEST

- Medium frost filter (code 02SK0428)
- Heavy frost filter (code 02SK0430)
- Flightcase for 2 units (code 0521C073)
- Aliscap clamp for tube diameter 48-51 mm - max. load. 200 Kg (code 0521A033)
- G-QUICK clamp Professional - max. load 100 Kg (code 0521A037)
- Outdoor DMX cable 2 x 0,25 mm² - Flame retardant (code 0509C158)
- Safety cable 5 x 600 mm - max capacity load 60 Kg (code 0521A038)
- DTS dongle firmware uploader (code 03.LA.206)

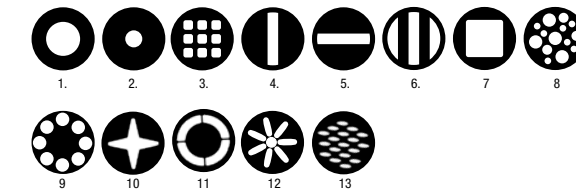
PHOTOMETRIC DATA

	mt 5 ft 16.40	mt 10 ft 32.81	mt 15 ft 49.21	mt 20 ft 65.62	mt 25 ft 82.02	
BEAM ANGLE 5.5°	lux center (lx)	48500	12125	5389	3031	1940
	foot candles (fc)	4507	1127	501	282	180
	diameter (cm)	48	96	144	192	240
	diameter (ft)	1.58	3.15	4.73	6.30	7.88
BEAM ANGLE 4.3°	mt 3 ft 9.84	mt 6 ft 19.68	mt 9 ft 29.53	mt 12 ft 39.37	mt 15 ft 49.21	
	lux center (lx)	4119	1030	458	257	165
	foot candles (fc)	383	96	43	24	15
	diameter (cm)	236	473	709	945	1182
	diameter (ft)	7.75	15.51	23.26	31.02	38.77

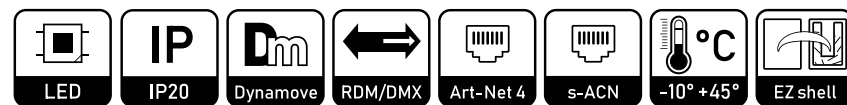
ROTATING GOBO WHEEL



FIXED GOBO WHEEL



FEATURES



OPTIONALS

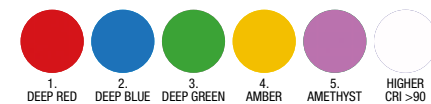
CERTIFICATIONS



CODE

03.MS022

COLOR WHEEL

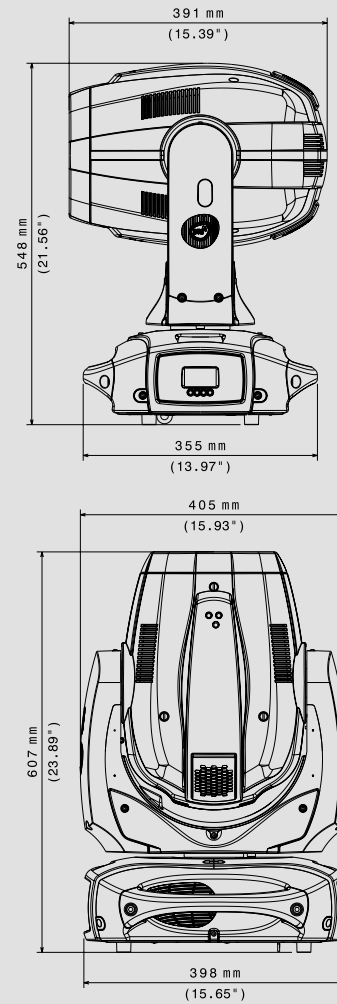




CORE



BEAM AND SPOT ALL IN ONE FOR A RANGE OF PROFESSIONAL APPLICATIONS



TECHNICAL DATA

OUTPUT

- Lamp: Osram Sirius HRI 440 W (Lumen source 24,000)
- Color temperature: 7000 K
- CRI: 80
- Average lamp life: 1,500 hours

OPTICAL GROUP

- Improved optical group: Spot and Beam all in one
- 1,530,000 Lux @ 5 m
- 16-bit motorized wide-exursion linear zoom
- Beam opening: 2° - 39°
- 16-bit motorized linear focus
- Linear dimmer / shutter / strobe (0.85 flash/sec to 10 flash/sec)
- Effect glass filters
- Frost Filter

COLOR GENERATION

- 16-color generation
- Two-tone generation

DYNAMIC EFFECTS

- Overlapping wheel for multiple effects:
 - Customizable rotating gobo wheel (9 gobos)
 - Fixed gobo wheel (17 gobos + animation sector + Open)
- 8-facet rotating prism

CONTROL

- Auto flip LCD graphic display + 4 soft-keys (control / management of the main parameters)
- Controlled via DMX 512 and RDM standard digital communication protocols
- Internal operating system updatable via DTS dongle firmware uploader

DMX

- 24 DMX channels (default)
- 18 DMX channels

PAN & TILT

- Pan: 540°: 2.7 sec.
- Tilt: 244°: 2 sec.
- Tri-phase stepper motor technology for ultra-fast silent movements
- 16-bit resolution
- Selectable speed ranges
- Pan / Tilt lock

POWER SUPPLY

- Full-range 100-240Vac 50-60 Hz
- Power consumption: 600 W with PFC
- Power saving mode (the lamp dims to 80% after shutter closure)
- Power Factor: PF >0.90

CONNECTIONS

- DMX: XLR 3-pole and 5-pole In / Out panel connectors
- Power supply: powerCON In / Out panel connectors

INTERNAL SAFETY DEVICES

- Overvoltage and overtemperature circuits protection

OPERATING TEMPERATURE

-10° / 40° C

PHYSICAL

- IP20
- Weight: 24.3 Kg (53.6 lbs)
- Finishing: Black

ACCESSORIES INCLUDED

- 1 x PowerCON female cable connector (code 0520P014)
- 1 x XLR 5 Pins male cable connector (code 0508B148)
- 1 x XLR 5 Pins female cable connector (code 0508B147)
- 2 x Omega Bracket with "Fast Lock" connection 1/4 turn (code 02K00549)

ACCESSORIES ON REQUEST

- Lamp 440W SIRIUS HRI (code 0505S039)
- Flightcase for 2 units (code 0521C065.2)
- Aliscaf clamp for tube diameter 48-51 mm - max. load. 200 Kg (code 0521A033)
- G-QUICK clamp Professional -max. load 100 Kg (code 0521A037)
- Custom gobo for rotating wheel (code 0516R001.58)
- Outdoor DMX cable 2 x 0,25 mm² - Flame retardant (code 0509C158)
- Safety cable 5 x 600 mm - max capacity load 60 Kg (code 0521A038)
- DTS dongle firmware uploader (code 03.LA.206)

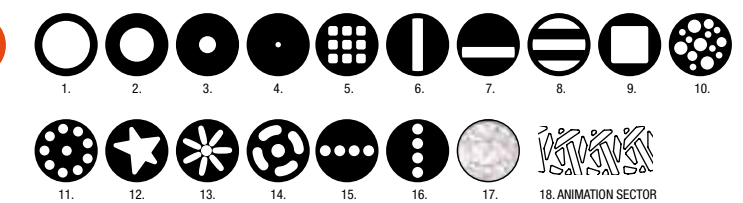
PHOTOMETRIC DATA

	mt 5 ft 16.40	mt 15 ft 49.21	mt 25 ft 82.02	mt 50 ft 164.04	mt 100 ft 328.08	
BEAM ANGLE 2°	lux center (lx)	1530000	170000	61200	15300	3825
	foot candles (fc)	142193	15799	5688	1422	355
	diameter (cm)	17	52	87	175	349
	diameter (ft)	0.57	1.72	2.86	5.73	11.45
BEAM ANGLE 39°	lux center (lx)	5300	589	212	53	13
	foot candles (fc)	493	55	20	5	1
	diameter (cm)	354	1062	1771	3541	7082
	diameter (ft)	11.62	34.85	58.09	116.18	232.36

ROTATING GOBO WHEEL



FIXED GOBO WHEEL



FEATURES



OPTIONALS

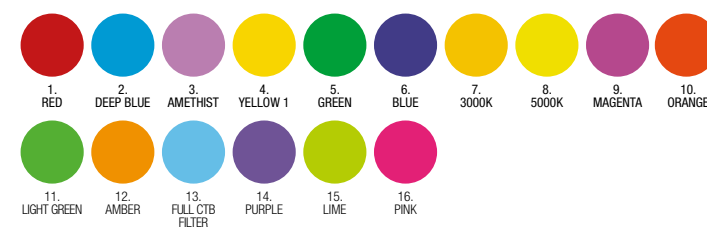
CERTIFICATIONS



CODE

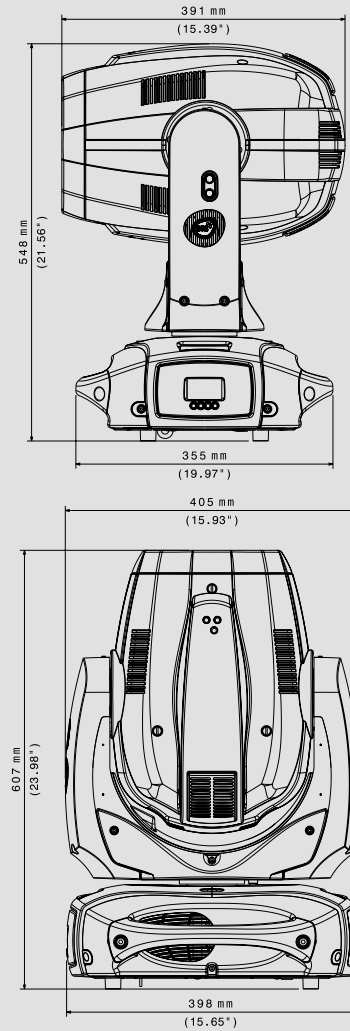
03.MS018.L

COLOR WHEEL





BEAM AND SPOT MOVING HEAD PERFECT FOR CONCERTS AND TV STUDIOS



TECHNICAL DATA

OUTPUT

- Lamp: Osram Sirius HRI 440 W (Lumen source 24,000)
- Color temperature: 7000 K
- CRI: 80
- Average lamp life: 1,500 hours

OPTICAL GROUP

- Improved optical group: Spot and Beam all in one
- 1,530,000 Lux @ 5 m
- 16-bit motorized wide-excursion linear zoom
- Beam opening: 2° - 39°
- 16-bit motorized linear focus
- Linear dimmer / shutter / strobe (0.85 flash/sec to 10 flash/sec)
- Effect glass filters
- Frost Filter

COLOR GENERATION

- Linear CMY + CTO
- 21-color wheel
- Two-tone generation

DYNAMIC EFFECTS

- Overlapping wheel for multiple effects:
 - Customizable rotating gobo wheel (8 gobos + Open)
 - Fixed gobo wheel (17 gobos + animation sector + Open)
- 8-facet and linear rotating prism
- Dyna-Prism (DTS patent)

CONTROL

- Auto flip LCD graphic display + 4 soft-keys (control / management of the main parameters)
- Controlled via DMX 512 and RDM standard digital communication protocols
- Internal operating system updatable via DTS dongle firmware uploader

- Li-Fe backup battery for controlling the main parameters even when EVO is not powered

DMX

- 32 DMX channels (default)
- 24 DMX channels

PAN & TILT

- 'FPR' system (DTS patent)
- Pan: limitless rotation, in both directions
- Tilt: 244°: 2 sec.
- Tri-phase stepper motor technology for ultra-fast silent movements
- 16-bit resolution
- Selectable speed ranges
- Pan / Tilt lock

POWER SUPPLY

- Full-range 100-240Vac 50-60 Hz
- Power consumption: 600 W with PFC
- Power saving mode (the lamp dims to 80% after shutter closure)
- Power Factor: PF >0.90

CONNECTIONS

- DMX: XLR 3-pole and 5-pole In / Out panel connectors
- Power supply: powerCON In / Out panel connectors

INTERNAL SAFETY DEVICES

- Overvoltage and overtemperature circuits protection

OPERATING TEMPERATURE

-10° / 40° C

PHYSICAL

- IP20
- Weight: 24.4 Kg (53.8 lbs)
- Finishing: Black

ACCESSORIES INCLUDED

- 1 x PowerCON female cable connector (code 0520P014)
- 1 x XLR 5 Pins male cable connector (code 0508B148)
- 1 x XLR 5 Pins female cable connector (code 0508B147)
- 2 x Omega Bracket with "Fast Lock" connection 1/4 turn (code 02K00549)

ACCESSORIES ON REQUEST

- Lamp 440W SIRIUS HRI (code 0505S039)
- Flightcase for 2 units (code 0521C065.2)
- Aliscap clamp for tube diameter 48-51 mm - max. load. 200 Kg (code 0521A033)
- G-QUICK clamp Professional -max. load 100 Kg (code 0521A037)
- Custom gobo for rotating wheel (code 0516R001.58)
- Outdoor DMX cable 2 x 0,25 mm² - Flame retardant (code 0509C158)
- Safety cable 5 x 600 mm - max capacity load 60 Kg (code 0521A038)
- DTS dongle firmware uploader (code 03.LA.206)

PHOTOMETRIC DATA

	mt 5 ft 16.40	mt 15 ft 49.21	mt 25 ft 82.02	mt 50 ft 164.04	mt 100 ft 328.08	
BEAM ANGLE 2°	lux center (lx)	1530000	170000	61200	15300	3825
	foot candles (fc)	142193	15799	5688	1422	355
	diameter (cm)	17	52	87	175	349
	diameter (ft)	0.57	1.72	2.86	5.73	11.45
BEAM ANGLE 39°	lux center (lx)	5300	589	212	53	13
	foot candles (fc)	493	55	20	5	1
	diameter (cm)	354	1062	1771	3541	7082
	diameter (ft)	11.62	34.85	58.09	116.18	232.36

FEATURES



OPTIONALS

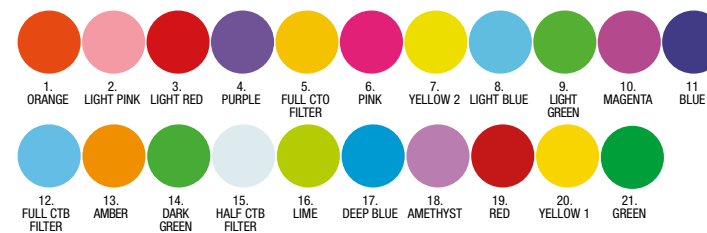
CERTIFICATIONS



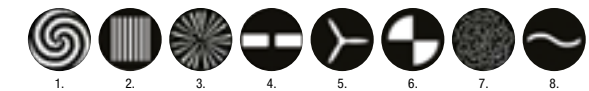
CODE

03.MS016.LFP

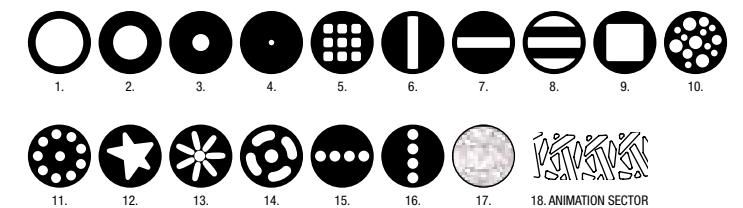
COLOR WHEEL



ROTATING GOBO WHEEL



FIXED GOBO WHEEL

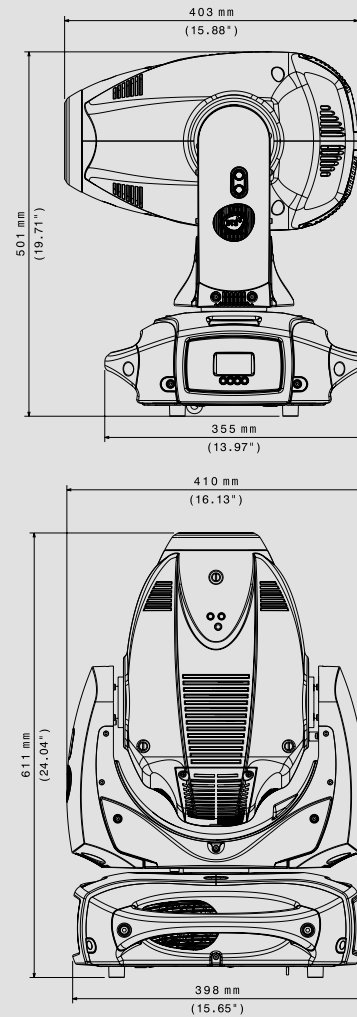




MAX L



MULTI-FUNCTION HYBRID MOVING HEAD FEATURING BEAM, SPOT AND WASH PROJECTIONS



TECHNICAL DATA

OUTPUT

- Lamp: Philips MSD PLATINUM 16R 330 W (Lumen source 16,000)
- Color temperature: 8000 K
- CRI: 75
- Average lamp life: 1,500 hours

OPTICAL GROUP

- Improved optical group mde with 11 coated lenses
- 100,000 Lux @ 5 m
- 16-bit motorized wide-excursion linear zoom
- Beam opening:
 - 2° - 37° (Beam-Spot mode)
 - 10° - 60° (Wash mode)
- 16-bit motorized linear focus
- Linear dimmer / shutter / strobe (0.85 flash/sec to 10 flash/sec)
- Frost Filter

COLOR GENERATION

- 17- color wheel with linear selection for perfect 2-color beams

DYNAMIC EFFECTS

- Overlapping wheel for multiple effects:
 - Customizable rotating gobo wheel (8 gobos + Open Studio)
 - Customizable fixed gobo wheel (10 gobos)
- 4-facet rotating prism

CONTROL

- LCD graphic display + 4 soft-keys (control / management of the main parameters)
- Controlled via DMX 512 and RDM standard digital communication protocols
- Internal operating system updatable

via DTS dongle firmware uploader

- DMX
- 24 DMX channels (default)
- 18 DMX channels

PAN & TILT

- Pan: 540°: 3 sec.
- Tilt: 240°: 1.7 sec.
- Tri-phase stepper motor technology for ultra-fast silent movements
- 16-bit resolution
- Selectable speed ranges
- Pan / Tilt lock

POWER SUPPLY

- Full-range 100-240Vac 50-60 Hz
- Power consumption: 450 W with PFC
- Power saving mode (the lamp dims to 80% after shutter closure)
- Power Factor: PF >0.90

CONNECTIONS

- DMX: XLR 3-pole and 5-pole In / Out panel connectors
- Power supply: powerCON In / Out panel connectors

INTERNAL SAFETY DEVICES

- Overvoltage and overtemperature circuits protection

OPERATING TEMPERATURE

-10° / 40° C

PHYSICAL

- IP20
- Weight: 22.2 Kg (48.9 lbs)
- Finishing: Black

ACCESSORIES INCLUDED

- 1 x PowerCON female cable connector (code 0520P014)
- 1 x XLR 5 Pins male cable connector (code 0508B148)
- 1 x XLR 5 Pins female cable connector (code 0508B147)
- 2 x Omega Bracket with "Fast Lock" connection 1/4 turn (code 02K00549)

ACCESSORIES ON REQUEST

- Lamp Philips MSD PLATINUM 16R 330 W (code 0505S036)
- Flightcase for 2 units (code 0521C060.1)
- Aliscaf clamp for tube diameter 48-51 mm - max. load. 200 Kg (code 0521A033)
- G-QUICK clamp Professional -max. load 100 Kg (code 0521A037)
- Custom gobo for rotating wheel (code 0516R002.58)
- Custom gobo for fix wheel (code 0516R003.58)
- Outdoor DMX cable 2 x 0,25 mm² - Flame retardant (code 0509C158)
- Safety cable 5 x 600 mm - max capacity load 60 Kg (code 0521A038)
- DTS dongle firmware uploader (code 03.LA.206)

PHOTOMETRIC DATA

BEAM ANGLE 2°	BEAM SPOT MODE		mt 5 ft 16.40	mt 10 ft 32.81	mt 15 ft 49.21	mt 20 ft 65.62	mt 25 ft 82.02
	lux center (lx)	100000	25000	11111	6250	4000	
foot candles (fc)	9294	2323	1033	581	372		
diameter (cm)	18	37	55	73	92		
diameter (ft)	0.60	1.20	1.80	2.41	3.01		
BEAM ANGLE 37°	lux center (lx)	1030	258	114	64	41	
	foot candles (fc)	96	24	11	6	4	
diameter (cm)	335	669	1004	1338	1673		
diameter (ft)	10.98	21.95	32.93	43.91	54.89		
BEAM ANGLE 10°	lux center (lx)	10112	2528	1124	632	404	
	foot candles (fc)	940	235	104	59	38	
diameter (cm)	87	175	262	350	437		
diameter (ft)	2.87	5.74	8.61	11.48	14.35		
BEAM ANGLE 60°	lux center (lx)	238	60	26	15	10	
	foot candles (fc)	22	6	2	1	1	
diameter (cm)	577	1155	1732	2309	2887		
diameter (ft)	18.94	37.88	56.83	75.77	94.71		

FEATURES



OPTIONALS

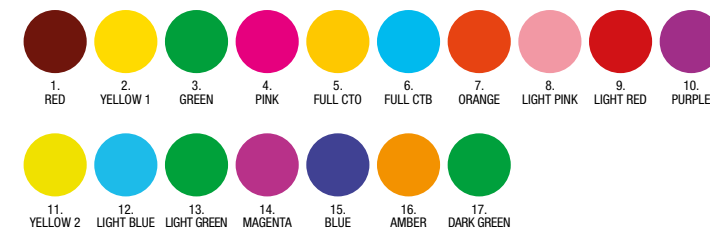
CERTIFICATIONS



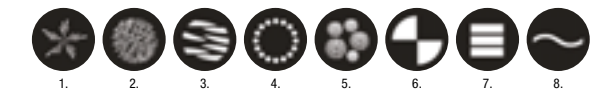
CODE

03.MS015.EB.L

COLOR WHEEL



ROTATING GOBO WHEEL



FIXED GOBO WHEEL

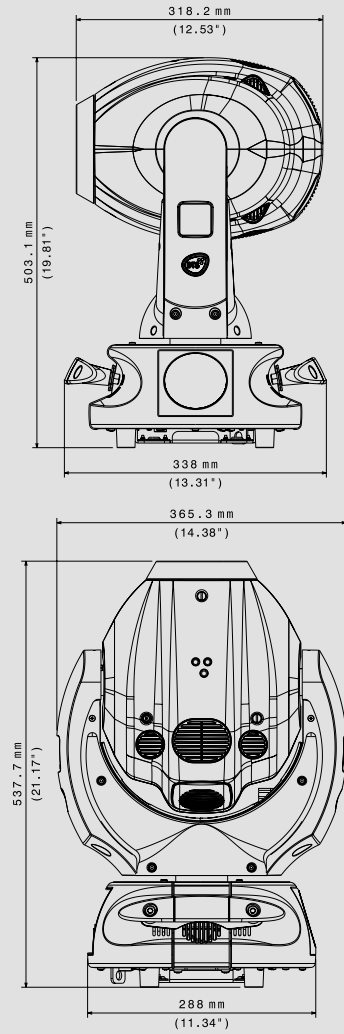




RAPTOR



ULTRA BRIGHT, FAST MOVEMENT BEAM MOVING HEAD



TECHNICAL DATA

OUTPUT

- Lamp: Osram Sirius HRI 330 W (Lumen source 16,500)
- Color temperature: 7500 K
- CRI: 80
- Average lamp life: 1,500 hours

OPTICAL GROUP

- Beam opening: 3.4°
- 156,800 Lux @ 15 m
- 16-bit motorized linear focus
- Linear dimmer / shutter / ultra-fast strobe

COLOR GENERATION

- 17-color wheel with linear selection for perfect 2-color beams

DYNAMIC EFFECTS

- 17-gobo wheel
- 8-facet rotating prism

FILTERS

- Smooth filter (eliminates the hot spot, evenly diffusing luminosity)
- Frost filter

CONTROL

- LCD graphic display + 4 soft-keys (control / management of the main parameters)
- Controlled via DMX 512 and RDM standard digital communication protocols
- Internal operating system updatable via DTS dongle firmware uploader

DMX

- 18 DMX channels (default)
- 20 DMX channels

PAN & TILT

- 'FPR' system (DTS patent)
- Pan: limitless rotation, in both directions
- Tilt: 240°: 1.2 sec.
- Tri-phase stepper motor technology for ultra-fast silent movements
- 16-bit resolution
- Selectable speed ranges

POWER SUPPLY

- Full-range 100-240Vac 50-60 Hz
- Power consumption: 450 W with PFC
- Power Factor: PF >0.90

CONNECTIONS

- DMX: XLR 3-pole and 5-pole In / Out panel connectors
- Power supply: powerCON In / Out panel connectors

INTERNAL SAFETY DEVICES

- Overvoltage and overtemperature circuits protection

OPERATING TEMPERATURE

-10° / 40° C

PHYSICAL

- IP20
- Weight: 17 Kg (37.5 lbs)
- Finishing: Black

ACCESSORIES INCLUDED

- 1 x PowerCON female cable connector (code 0520P014)
- 1 x XLR 5 Pins male cable connector (code 0508B148)
- 1 x XLR 5 Pins female cable connector (code 0508B147)
- 2 x Omega Bracket with "Fast Lock" connection 1/4 turn (code 02K00549)

ACCESSORIES ON REQUEST

- Lamp Osram Sirius HRI 330 W (code 0505S037)
- Flightcase for 4 units (code 0521C059.1)
- Aliscap clamp for tube diameter 48-51 mm - max. load. 200 Kg (code 0521A033)
- G-QUICK clamp Professional -max. load 100 Kg (code 0521A037)
- Outdoor DMX cable 2 x 0,25 mm² - Flame retardant (code 0509C158)
- Safety cable 5 x 600 mm - max capacity load 60 Kg (code 0521A038)
- DTS dongle firmware uploader (code 03.LA.206)

PHOTOMETRIC DATA

	mt 5 ft 16.40	mt 15 ft 49.21	mt 25 ft 82.02	mt 50 ft 164.04	mt 100 ft 328.08
BEAM ANGLE 3.4° lux center (lx)	1411200	156800	56448	14112	3528
foot candles (fc)	131152	14572	5246	1312	328
diameter (cm)	30	89	148	297	594
diameter (ft)	0.97	2.92	4.87	9.74	19.47

FEATURES



OPTIONALS

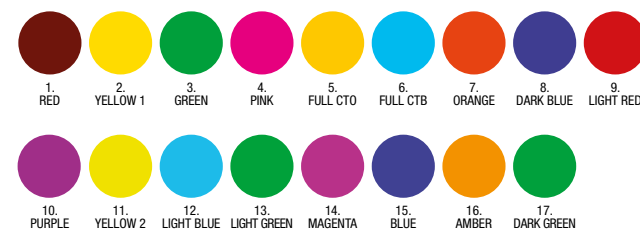
CERTIFICATIONS



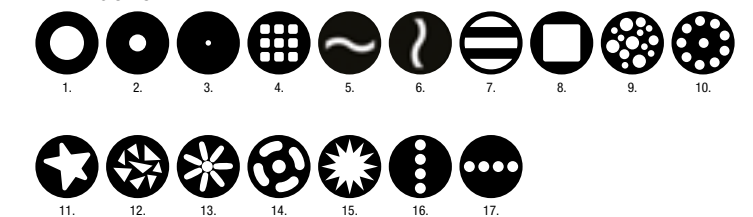
CODE

03.MB005.EB.LFP

COLOR WHEEL



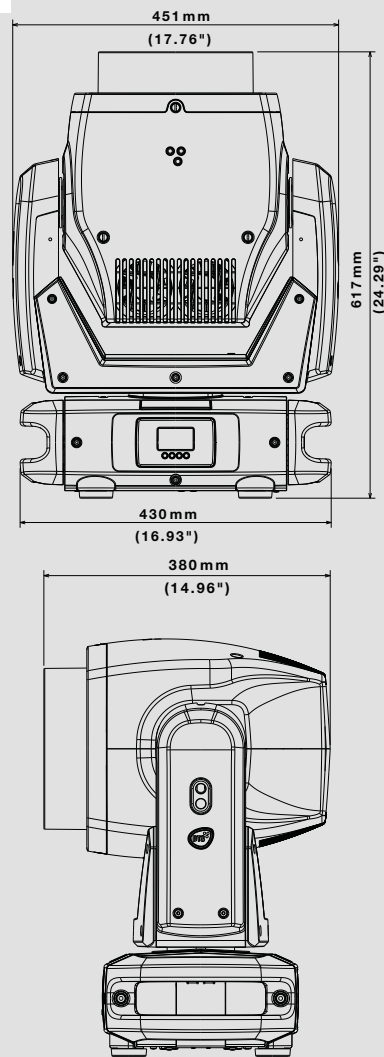
FIXED GOBO WHEEL







THE NEW-GENERATION FRESNEL LED WASH LIGHT



TECHNICAL DATA

OUTPUT

- Multi-chip LED source
- 10,800 Lumens output
- CRI: up to 98
- TLCI: up to 96
- LED lifespan: 20,000 hours (70% lumen output)

OPTICAL GROUP

- 10° - 47° linear zoom
- Ø 250 mm Fresnel lens
- Beam shaper (2x1 ratio) with endless rotation; indexable
- 2 frost filters (soft and heavy) insertable via DMX
- Retractable 'top hat'

COLOR & WHITE GENERATION

- 6-color LED engine
- Linear CCT (1800 K - 10000 K)
- Linear 'Green saturation'
- 100 gel filters emulation:
 - Linear balance from gel filters emulation to white
 - Linear balance between gel filters emulation
 - True color of gel filters emulation at any CCT values
- Color mixing by 6-color 'advanced' mode
- Deep blue and Deep red filters (DMX-selectable)

DIMMER

- Hi-Q Dimming technology
- Tungsten Emulation function

CONTROL

- LCD graphic display + 4 soft-keys; Auto-flip; Key-Lock function
- Art-Net 4, sACN, RDM/DMX 512 protocols
- 'Standard' and 'Silent' operation modes
 - Noise level at Silent mode: 37dBA @ 1m (normal operation, full power)

- Internal operating system updatable via DTS dongle firmware uploader
- Li-Fe backup battery for controlling the display settings even when the unit is not powered

DMX

- 5 DMX modes:
 - 1. CCT (default)
 - 2. Advanced
 - 3. Basic
 - 4. Expo
 - 5. CMY Emulation

PAN & TILT

- Pan 540° (3.8 sec)
- Tilt 220° (2.1 sec)
- 16-bit resolution
- Pan / Tilt lock

POWER SUPPLY

- Electronic full-range 100/277 Vac 50-60 Hz
- Power consumption: 450 W max
- Power Factor: PF >0.90

CONNECTIONS

- DMX: XLR 3-pole and 5-pole In/Out panel connectors
- Power supply: PowerCON TRUE1 In/Out panel connectors
- Art-Net / sACN: etherCON RJ45 panel connector

INTERNAL SAFETY DEVICES

- Overvoltage and overtemperature circuits protection

OPERATING TEMPERATURE

-10° / 45° C

PHYSICAL

- IP20
- Weight: 26.5 Kg (58.0 lbs)
- Finishing: Black

ACCESSORIES INCLUDED

- 1 x cable with PowerCON TRUE1 female connector (code 02K0012267.0015)
- 2 x Omega bracket with "Fast Lock" connection 1/4 turn (code 02K00549)
- 1 x Alchemy 5 EZ-shell 560 x 490 x 670 mm - 2 pcs needed in each flightcase (0512K152.1)

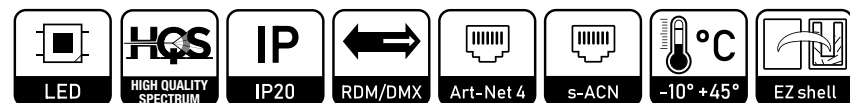
ACCESSORIES ON REQUEST

- Aliscaf clamp for tube diameter 48-51 mm - max. load. 200 Kg (code 0521A033)
- G-QUICK clamp Professional - max. load 100 Kg (code 0521A037)
- Flightcase for 2 units (code 0521C078)
- Outdoor DMX cable 2 x 0,25 mm² - Flame retardant (code 0509C158)
- Safety cable 5 x 600 mm - max capacity load 60 Kg (code 0521A038)
- DTS Dongle firmware uploader (code 03.LA.206)

PHOTOMETRIC DATA

		mt 5 ft 16.40	mt 10 ft 32.81	mt 15 ft 49.21	mt 20 ft 65.62	mt 25 ft 82.02	
BEAM ANGLE 10° - @ 50%	3200 K	lux center (lx)	7000	1750	778	438	280
		foot candles (fc)	651	163	72	41	26
	4000 K	lux center (lx)	8875	2219	986	555	355
		foot candles (fc)	825	206	92	52	33
	5600 K	lux center (lx)	10100	2525	1122	631	404
		foot candles (fc)	939	235	104	59	38
diameter (cm)		87	175	232	350	437	
diameter (ft)		3	6	9	11	14	
		mt 3 ft 9.84	mt 6 ft 19.68	mt 9 ft 29.53	mt 12 ft 39.37	mt 15 ft 49.21	
BEAM ANGLE 47° - @ 10%	3200 K	lux center (lx)	1500	375	167	94	60
		foot candles (fc)	139	35	15	9	6
	4000 K	lux center (lx)	1720	430	191	108	69
		foot candles (fc)	160	40	18	10	6
	5600 K	lux center (lx)	1967	492	219	123	79
		foot candles (fc)	183	46	20	11	7
diameter (cm)		435	870	1304	1739	2174	
diameter (ft)		14	29	43	57	71	

FEATURES



OPTIONALS

CERTIFICATIONS

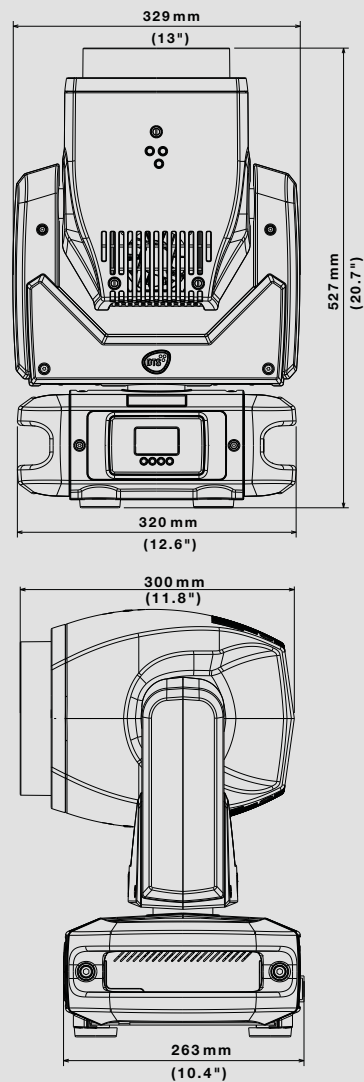


CODE

03.MW009



THE NEW-GENERATION FRESNEL LED WASH LIGHT



TECHNICAL DATA

OUTPUT

- Multi-chip LED source
- 6,600 Lumens output
- CRI: up to 98
- TLCI: up to 96
- LED lifespan: 20,000 hours (70% lumen output)

OPTICAL GROUP

- 14.1° - 45.2° linear zoom
- Ø 175 mm Fresnel lens
- Beam shaper (2x1 ratio) with endless rotation; indexable
- Heavy frost filter insertable via DMX
- Retractable 'top hat'

COLOR & WHITE GENERATION

- 6-color LED engine
- Linear CCT (1800 K - 10000 K)
- Linear 'Green saturation'
- 100 gel filters emulation:
 - Linear balance from gel filters emulation to white
 - Linear balance between gel filters emulation
 - True color of gel filters emulation at any CCT values
- Color mixing by 6-color 'advanced' mode
- Deep blue and Deep red filters (DMX-selectable)

DIMMER

- Hi-Q Dimming technology
- Tungsten Emulation function

CONTROL

- LCD graphic display + 4 soft-keys; Auto-flip; Key-Lock function
- RDM / DMX 512 protocols
- 'Standard' and 'Silent' operation modes

- Internal operating system updatable via DTS dongle firmware uploader
- Li-Fe backup battery for controlling the display settings even when the unit is not powered

DMX

- 5 DMX modes:
 - 1. CCT (default)
 - 2. Advanced
 - 3. Basic
 - 4. Expo
 - 5. CMY Emulation

PAN & TILT

- Pan 540° (1.8 sec)
- Tilt 215° (1.1 sec)
- 16-bit resolution

POWER SUPPLY

- Electronic full-range 100/240 Vac 50-60 Hz
- Power consumption: 300 W max
- Power Factor: PF >0.94

CONNECTIONS

- DMX: XLR 3-pole and 5-pole In/Out panel connectors
- Power supply: PowerCON TRUE1 In/Out panel connectors

INTERNAL SAFETY DEVICES

- Overvoltage and overtemperature circuits protection

OPERATING TEMPERATURE

-10° / 40° C

PHYSICAL

- IP20
- Weight: 15.5 Kg (34 lbs)
- Finishing: Black

CODE
03.MW010

FEATURES



OPTIONALS

CERTIFICATIONS



ACCESSORIES INCLUDED

- 1 x cable with PowerCON TRUE1 female connector (code 02K0012267.0015)
- 1 x Omega bracket with "Fast Lock" connection 1/4 turn (code 02K00467)

ACCESSORIES ON REQUEST

- Aliscarf clamp for tube diameter 48-51 mm - max. load. 200 Kg (code 0521A033)
- G-QUICK clamp Professional - max. load 100 Kg (code 0521A037)
- Outdoor DMX cable 2 x 0,25 mm² - Flame retardant (code 0509C158)
- Safety cable 3 x 600 mm - Max load 30 Kg (code 0521A010)
- DTS Dongle firmware uploader (code 03.LA.206)

PHOTOMETRIC DATA

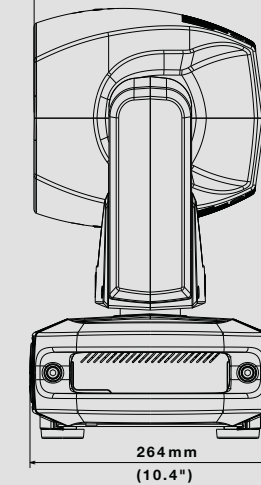
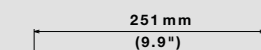
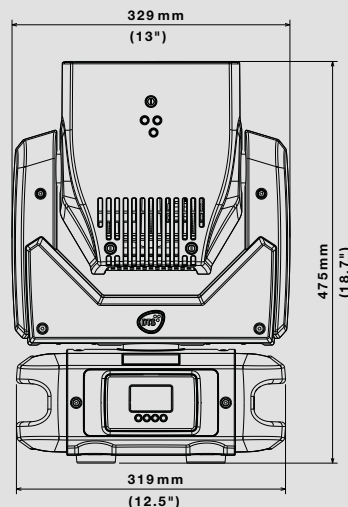
		mt 5 ft 16.40	mt 10 ft 32.81	mt 15 ft 49.21	mt 20 ft 65.62	mt 25 ft 82.02	
BEAM ANGLE 14.1° - @ 50%	3200 K	lux center (lx)	1937	484	215	121	77
		foot candles (fc)	180	45	20	11	7
	4000 K	lux center (lx)	2412	603	268	151	96
		foot candles (fc)	224	56	25	14	9
	5600 K	lux center (lx)	3420	855	380	214	137
		foot candles (fc)	318	79	35	20	13
		diameter (cm)	124	247	371	495	618
		diameter (ft)	4.06	8.11	12.17	16.23	20.29
		mt 3 ft 9.84	mt 6 ft 19.68	mt 9 ft 29.53	mt 12 ft 39.37	mt 15 ft 49.21	
BEAM ANGLE 45.2° - @ 10%	3200 K	lux center (lx)	1679	420	187	105	67
		foot candles (fc)	156	39	17	10	6
	4000 K	lux center (lx)	2146	537	238	134	86
		foot candles (fc)	199	50	22	12	8
	5600 K	lux center (lx)	2950	738	328	184	118
		foot candles (fc)	274	69	30	17	11
		diameter (cm)	250	500	749	999	1249
		diameter (ft)	8.19	16.39	24.58	32.78	40.97



EUPHONY 3



THE COMPACT LED WASH LIGHT FEATURING A WIDE ZOOM AND HIGH-EFFICIENCY OPTICAL SYSTEM



TECHNICAL DATA

OUTPUT

- 7 x 60 W Full Color (RGBW) Leds
- 7,500 Lumens output
- LED lifespan: 50,000 hours (70% lumen output)

OPTICAL GROUP

- 5.6° - 69° linear motorized zoom with high-efficiency optical system
- Soft frost filter included
- Uniform projection on surfaces, from very wide Wash to PC Beam

COLOR GENERATION

- 16 million colors
- Wide palette of pure uniform whites
- Variable linear color temperature (2700K - 8000K)
- 16 gel filter emulations by 'Standard' DMX mode

DIMMER

- Hi-Q Dimming technology

CONTROL

- LCD graphic display + 4 soft-keys; Auto-flip; Key-Lock function
- RDM / DMX 512 protocols
- 'Standard' and 'Silent' operation modes
- Internal operating system updatable via DTS dongle firmware uploader
- Li-Fe backup battery for controlling the display settings even when the unit is not powered

DMX

- 2 DMX modes:
 - 1. Standard - 18 channels (default)
 - 2. Compatibility - 20 channels

PAN & TILT

- Pan 540° (1.8 sec)
- Tilt 215° (1 sec)
- 16-bit resolution

POWER SUPPLY

- Electronic full-range 100-240 Vac 50-60 Hz
- Power consumption: 420 W max
- Power Factor: PF >0.94

CONNECTIONS

- DMX: XLR 3-pole and 5-pole In/Out panel connectors
- Power supply: PowerCON TRUE1 In/Out panel connectors

INTERNAL SAFETY DEVICES

- Overvoltage and overtemperature circuits protection

OPERATING TEMPERATURE

-10° / 40° C

PHYSICAL

- IP20
- Weight: 14 Kg (30.9 lbs)
- Finishing: Black

ACCESSORIES INCLUDED

- 1 x Cable with PowerCON TRUE1 female connector (code 02K0012267.0015)
- 1 x Omega bracket with "Fast Lock" connection 1/4 turn (code 02K00467)
- 1 x Soft frost filter (code 02SK0472)

ACCESSORIES ON REQUEST

- Aliscaf clamp for tube diameter 48-51 mm - max. load. 200 Kg (code 0521A033)
- G-QUICK clamp Professional - max. load 100 Kg (code 0521A037)
- Outdoor DMX cable 2 x 0,25 mm² - Flame retardant (code 0509C158)
- Safety cable 3 x 600 mm - Max load 30 Kg (code 0521A010)
- DTS Dongle firmware uploader (code 03.LA.206)

PHOTOMETRIC DATA

		mt 5 ft 16.40	mt 10 ft 32.81	mt 15 ft 49.21	mt 20 ft 65.62	mt 25 ft 82.02
RED	lux center (lx)	3442	861	382	215	138
	foot candles (fc)	320	80	36	20	13
GREEN	lux center (lx)	6170	1543	686	386	247
	foot candles (fc)	573	143	64	36	23
BLUE	lux center (lx)	1424	356	158	89	57
	foot candles (fc)	132	33	15	8	5
WHITE	lux center (lx)	9501	2375	1056	594	380
	foot candles (fc)	883	221	98	55	35
FULL RGBW	lux center (lx)	16600	4150	1844	1038	664
	foot candles (fc)	1543	386	171	96	62
diameter (cm)		49	98	147	196	245
diameter (ft)		1.60	3.21	4.81	6.42	8.02

		mt 3 ft 9.84	mt 6 ft 19.68	mt 9 ft 29.53	mt 12 ft 39.37	mt 15 ft 49.21
RED	lux center (lx)	229	57	25	14	9
	foot candles (fc)	21	5	2	1	1
GREEN	lux center (lx)	456	114	51	29	18
	foot candles (fc)	42	11	5	3	2
BLUE	lux center (lx)	101	25	11	6	4
	foot candles (fc)	9	2	1	1	1
WHITE	lux center (lx)	694	174	77	43	28
	foot candles (fc)	64	16	7	4	3
FULL RGBW	lux center (lx)	1213	303	135	76	49
	foot candles (fc)	113	28	13	7	5
diameter (cm)		412	825	1237	1649	2062
diameter (ft)		13.53	27.06	40.59	54.12	67.64

FEATURES



OPTIONALS

CERTIFICATIONS



CODE

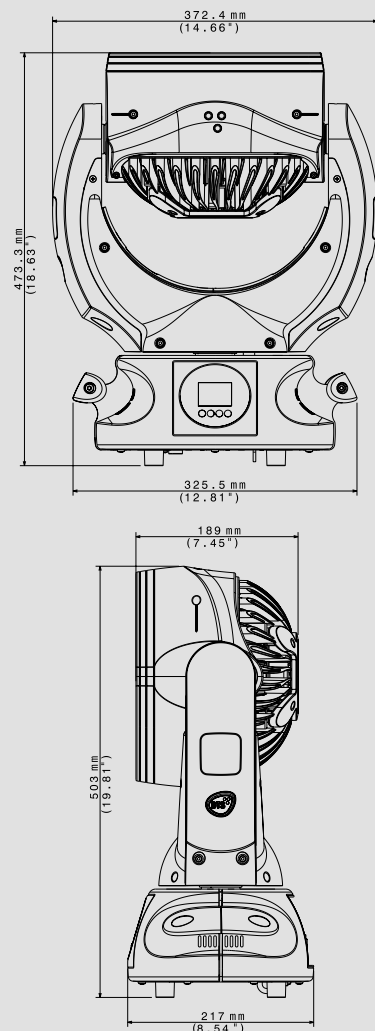
03.LDR020.F



NICK NRG 1401



THE CREATIVE BEAM/WASH LIGHT WITH SINGLE PIXEL CONTROL



TECHNICAL DATA

OUTPUT

- 23 x 20 W Full Color (RGBW) Leds
- 11,500 Lumens output
- Pixel to pixel control
- LED lifespan: 50,000 hours (70% lumen output)

OPTICAL GROUP

- 4° - 52° linear motorized zoom with efficiency optical system
- 27,000 Lux @ 5 m
- Uniform projection on surfaces, from very wide Wash to PC Beam

COLOR GENERATION

- 16 million colors
- Wide palette of pure uniform whites
- Variable linear color temperature (2700 K – 8000 K)

CONTROL

- Multi-function OLED graphic color display + 4 soft-keys (control / management / monitoring of the main parameters)
- RDM / DMX 512 protocols
- Internal operating system updatable via DTS dongle firmware uploader

DMX

- 4 DMX modes:
 - 33 DMX channels (default)
 - 111 DMX channels
 - 31 DMX channels
 - 20 DMX channels

PAN & TILT

- 'FPR' system (DTS patent)
- Pan: limitless rotation, in both directions
- Tilt 258°: (1.1 sec)
- 16-bit resolution

POWER SUPPLY

- Electronic full-range 100-240 Vac 50-60 Hz
- Power consumption: 390 W max
- Power Factor: PF >0.95

CONNECTIONS

- DMX: XLR 3-pole and 5-pole In/Out panel connectors
- Power supply: PowerCON In/Out panel connectors

INTERNAL SAFETY DEVICES

- Overvoltage and overtemperature circuits protection

OPERATING TEMPERATURE

-10° / 40° C

PHYSICAL

- IP20
- Weight: 13 Kg (28.7 lbs)
- Finishing: Black

ACCESSORIES INCLUDED

- 1 x PowerCON female cable connector (code 0520P014)
- 1 x XLR 5 Pins female cable connector (code 0508B147)
- 1 x XLR 5 Pins male cable connector (code 0508B148)
- 1 x Omega bracket with "Fast Lock" connection 1/4 turn (code 02K00467)

ACCESSORIES ON REQUEST

- Flightcase for 4 units (code 0521C059.1)
- Aliscaf clamp for tube diameter 48-51 mm - max. load. 200 Kg (code 0521A033)
- G-QUICK clamp Professional - max. load 100 Kg (code 0521A037)
- Omega bracket with "Fast Lock" connection 1/4 turn (code 02K00467)
- Outdoor DMX cable 2 x 0,25 mm² - Flame retardant (code 0509C158)
- Safety cable - 3 x 600 mm - max. capacity load 30 Kg (code 0521A010)
- DTS dongle firmware uploader (code 03.LA.206)

PHOTOMETRIC DATA

	mt 5 ft 16.40	mt 10 ft 32.81	mt 15 ft 49.21	mt 20 ft 65.62	mt 25 ft 82.02	
BEAM ANGLE 4°	lux center (lx)	27000	6750	3000	1688	1080
	foot candles (fc)	2509	627	279	157	100
	diameter (cm)	35	70	105	140	175
	diameter (ft)	1.15	2.29	3.44	4.58	5.73
BEAM ANGLE 52°	lux center (lx)	804	201	89	50	32
	foot candles (fc)	75	19	8	5	3
	diameter (cm)	488	975	1463	1951	2439
	diameter (ft)	16.00	32.00	48.00	64.01	80.01

FEATURES



OPTIONALS

CERTIFICATIONS



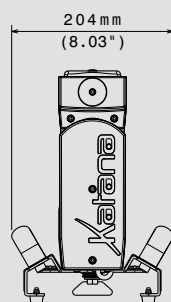
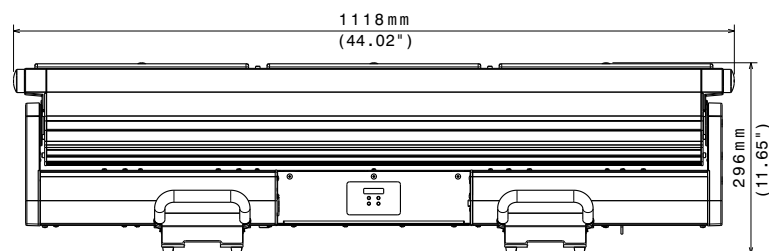
CODE

03.LDR015.FFP





THE BLADE OF LIGHT FEATURING
WIDE LINEAR ZOOM, SINGLE PIXEL
CONTROL AND SUPER FAST TILT



TECHNICAL DATA

OUTPUT

- 12 x 20 W Full Color (RGBW) LEDs:
 - Pixel to pixel control
 - Lumen source 9,600

OPTICAL GROUP

- Linear motorized zoom 3.5° ('blade' mode) - 30°

COLOR GENERATION

- 16 million colors
- Wide palette of pure uniform whites with variable linear color temperature (2700K - 8000K)

TILT

- Motorized Tilt 184°: 1 sec.
- 16-bit movement resolution

CONTROL

- Multi-function 4-digit 7-segment LED display + 4 soft keys
- Controlled via DMX 512 and RDM standard digital communication protocols
- Internal operating system updatable via DTS dongle firmware uploader

DMX

- 24 DMX channels (default)
- 64 DMX channels
- 16 DMX channels

POWER SUPPLY

- Electronic full-range 100-240Vac 50/60 Hz;
- Power consumption: 300 W max
- Power Factor: PF >0.95

CONNECTIONS

- Power supply: PowerCON TRUE1 In/Out panel connectors
- DMX: XLR 5-pole In/Out panel connectors

INTERNAL SAFETY DEVICES

- Overvoltage and overtemperature circuits protection

OPERATING TEMPERATURE

-10° / 40° C

PHYSICAL

- IP20
- Weight: 19.5 Kg (43 lbs)
- Finishing: Black

ACCESSORIES INCLUDED

- 1 x PowerCON TRUE1 female cable connector (code 0520P066)
- 1 x PowerCON TRUE1 male cable connector (code 0520P067)
- 1 x XLR 5 pins female cable connector (code 0508B147)
- 1 x XLR 5 pins male cable connector (code 0508B148)
- 2 x Omega bracket with "Fast Lock" connection 1/4 turn (code 02K00467)
- 2 x Bracket for ground installation with handles and rubber feet - already mounted on the unit (code 02SK0296)

ACCESSORIES ON REQUEST

- Flightcase for 3 units (code 0521C066)
- Aliscaf clamp for tube diameter 48-51 mm - max. load. 200 Kg (code 0521A033)
- G-QUICK clamp Professional - max. load 100 Kg (code 0521A037)
- Outdoor DMX cable 2 x 0,25 mm² - Flame retardant (code 0509C158)
- Safety cable - 3 x 600 mm - max. capacity load 30 Kg (code 0521A010)
- DTS dongle firmware uploader (code 03.LA.206)

PHOTOMETRIC DATA

		MINIMUM ZOOM	mt 5 ft 16.40	mt 10 ft 32.81	mt 15 ft 49.21	mt 20 ft 65.62	mt 25 ft 82.02
BEAM ANGLE 3°	FULL RGBW	lux center (lx)	6800	1700	756	425	272
		foot candles (fc)	632	158	70	39	25
BEAM ANGLE 3.5°	X-axis	diameter (cm)	25	51	76	101	127
		diameter (ft)	0,83	1,66	2,49	3,32	4,25
BEAM ANGLE 3.5°	Y-axis	diameter (cm)	31	61	92	122	153
		diameter (ft)	1.00	2.00	3.01	4.01	5.01

		MAXIMUM ZOOM	mt 5 ft 16.40	mt 10 ft 32.81	mt 15 ft 49.21	mt 20 ft 65.62	mt 25 ft 82.02
BEAM ANGLE 25°	FULL RGBW	lux center (lx)	1650	413	183	103	66
		foot candles (fc)	153	38	17	10	6
BEAM ANGLE 30°	X-axis	diameter (cm)	222	443	665	887	1108
		diameter (ft)	7,27	14,55	21,82	29,09	36,37
BEAM ANGLE 30°	Y-axis	diameter (cm)	268	536	804	1072	1340
		diameter (ft)	8.79	17.58	26.37	35.16	43.95

FEATURES



OPTIONALS

CERTIFICATIONS



CODE

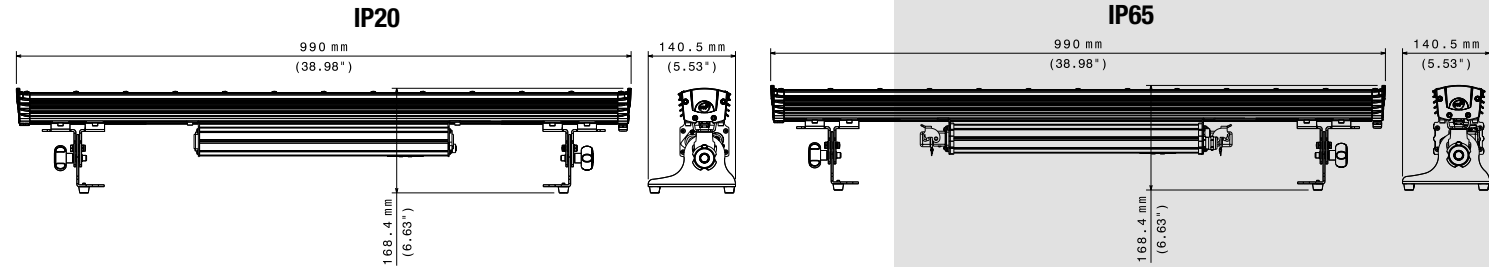
03.LDR016.F



FOS 100 DYNAMIC SOLO FC



LED BAR WITH SINGLE PIXEL CONTROL TO CREATE ENDLESS VARIETY OF DYNAMIC EFFECTS



TECHNICAL DATA

OUTPUT

- 15 Full Color (RGBW) LEDs:
- Pixel to pixel control
- Lumen source 4,608 @ 500mA
- LED lifespan: 50,000 hours (70% lumen output)

OPTICAL GROUP

- 3 lenses sets available: 10° / 25° / 40°
- Holographic filters available on request
- Uniform projection on surfaces

COLOR GENERATION

- 16 million colors
- Wide palette of pure uniform whites
- Variable linear color temperature (2700 K – 8000 K)

CONTROL

- Multi-function 4-digit 7-segment LED display + 4 soft keys
- RDM / DMX 512 protocols
- Internal operating system updatable via DTS dongle firmware uploader

DMX

- 10 DMX channels (default)

POWER SUPPLY

- Integrated full-range PSU 100-240Vac 50-60 Hz;
- Power consumption: 150 W max
- Power Factor: PF >0.95

CONNECTIONS

- IP20-rated PSU
 - PowerCON In/Out panel connectors
 - XLR 5 pins In/Out panel connectors
- IP65-rated PSU
 - Power IN cable; Power OUT Harting panel connector
 - DMX In/Out Harting panel connectors

OPERATING TEMPERATURE

-10° / 40° C

PHYSICAL

- IP20 or IP65
- IK protection degree: IK09 (only IP65-rated)
- Housing: Aluminium
- Weight
 - IP20 rated: 7.1 Kg (15.7 lbs)
 - IP65 rated: 7.5 Kg (16.5 lbs)
- Finishing: Black

ACCESSORIES INCLUDED

- 1 x Fit joint for joining bars inline (code 02M09519.46)
- 2 x M4 knob for fit joint (code 0511P014)
- ONLY FOR IP20-RATED**
- 1 x PowerCON IN female cable connector (code 0520P014)
- 1 x PowerCON OUT female cable connector (code 0520P029)
- 1 x XLR 5 Pins female cable connector (code 0508B027)
- 1 x XLR 5 Pins male cable connector (code 0508B028)
- ONLY FOR IP65-RATED**
- 1 x HARTING 5 pins male connector (code 02LD0093.1)
- 1 x HARTING 4 pins male connector (code 02LD0032)

ACCESSORIES ON REQUEST

- Lenses set Narrow 10° (code 03.LK.060.N)
- Lenses set Medium 25° (code 03.LK.061.N)
- Lenses set Wide 40° (code 03.LK.062.N)
- Barndoor and Holographic Filter holder (code 03.LA.142)
- Holographic Filter (complete list in the accessories section)
- Kit Fit joint for joining bars inline - includes 1 x 02M09519.46 and 2 x 0511P014 (code 03.LA.023)
- Line joining truss kit (code 02SK0382)
- Fast-lock bracket kit (code 03.LA.024)
- Short bracket for wall installation (code 03.LA.025)
- Single-side light shield (code 02M09594.46)
- Omega bracket with "Fast Lock" connection 1/4 turn (code 02K00467)
- G60 "C" Clamp - max. load 50 Kg (code 0521A004)
- G-QUICK clamp Professional - max. capacity load 100 Kg (code 0521A037)
- Safety cable - 3 x 600 mm - max. capacity load 30 Kg (code 0521A010)
- Outdoor DMX cable 2 x 0,25 mm² - Flame retardant (code 0509C158)
- Flightcase for 4 units (code 0521C069)
- DTS dongle firmware uploader (code 03.LA.206)
- ONLY FOR IP65-RATED**
- Permanent Installation kit IP68 2 POWER + 2 DMX (code 03.LA.216)

PHOTOMETRIC DATA

	mt 3 ft 9.84	mt 6 ft 19.68	mt 9 ft 29.53	mt 12 ft 39.37	mt 15 ft 49.21	
BEAM ANGLE 10°	lux center (lx)	3687	922	410	230	147
	foot candles (fc)	343	86	38	21	14
	diameter (cm)	52	105	157	210	262
	diameter (ft)	1.72	3.44	5.17	6.89	8.61

	mt 3 ft 9.84	mt 6 ft 19.68	mt 9 ft 29.53	mt 12 ft 39.37	mt 15 ft 49.21	
BEAM ANGLE 25°	lux center (lx)	1402	351	156	88	56
	foot candles (fc)	130	33	14	8	5
	diameter (cm)	133	266	399	532	665
	diameter (ft)	4.36	8.73	13.09	17.46	21.82

	mt 3 ft 9.84	mt 6 ft 19.68	mt 9 ft 29.53	mt 12 ft 39.37	mt 15 ft 49.21	
BEAM ANGLE 40°	lux center (lx)	950	238	106	59	38
	foot candles (fc)	88	22	10	6	4
	diameter (cm)	218	437	655	874	1092
	diameter (ft)	7.16	14.33	21.49	28.66	35.82

FEATURES



OPTIONALS

CERTIFICATIONS



CODES

IP20-RATED

- SP LENSES 10° - 03.DYN008S.F10
- MF LENSES 25° - 03.DYN008S.F25
- WF LENSES 40° - 03.DYN008S.F40

IP65-RATED - ON DEMAND

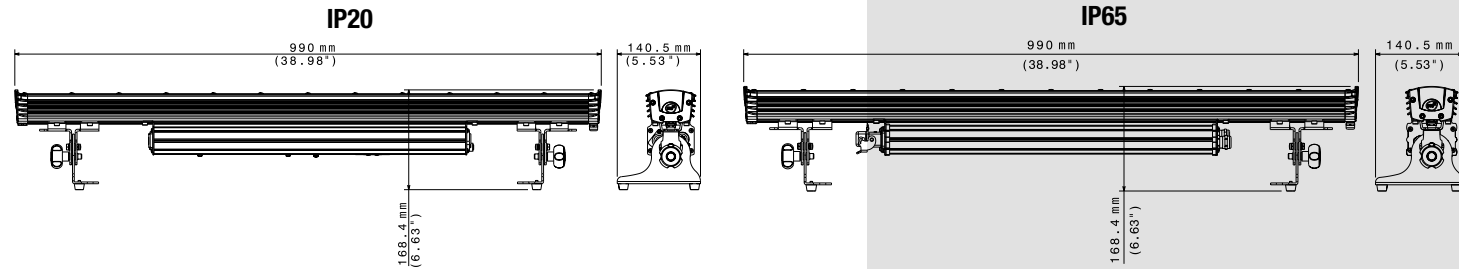
- SP LENSES 10° - 03.DYN007S.F10
- MF LENSES 25° - 03.DYN007S.F25
- WF LENSES 40° - 03.DYN007S.F40



FOS 100 POWER SOLO FC



THE BAR WITH A LARGE CHOICE OF PROJECTION ANGLES AND INTEGRATED PSU



TECHNICAL DATA

OUTPUT

- 24 Full Color (RGBW) LEDs:
- Lumen source 8,864
- LED lifespan: 50,000 hours (70% lumen output)

OPTICAL GROUP

- 3 lenses sets available: 10° / 25° / 40°
- Holographic filters available on request
- Uniform projection on surfaces

COLOR GENERATION

- 16 million colors
- Wide palette of pure uniform whites
- Variable linear color temperature (2700 K – 8000 K)

CONTROL

- Multi-function 4-digit 7-segment LED display + 4 soft keys
- RDM / DMX 512 protocols
- Internal operating system updatable via DTS dongle firmware uploader

DMX

- 10 DMX channels (default)

POWER SUPPLY

- Integrated full-range PSU 100-240Vac 50-60 Hz;
- Power consumption: 200 W max
- Power Factor: PF >0.95

CONNECTIONS

- IP20-rated PSU
 - PowerCON In/Out panel connectors
 - XLR 5 pins In/Out panel connectors
- IP65-rated PSU
 - Power IN cable; Power OUT Harting panel connector
 - DMX In/Out cables with XLR 5-pole IP20 connectors

OPERATING TEMPERATURE

-10° / 40° C

PHYSICAL

- IP20 or IP65
- IK protection degree: IK09 (only IP65-rated)
- Housing: Aluminium
- Weight
 - IP20 rated: 7.3 Kg (16.1 lbs)
 - IP65 rated: 7.9 Kg (17.4 lbs)
- Finishing: Black

ACCESSORIES INCLUDED

- 1 x Fit joint for joining bars inline (code 02M09519.46)
- 2 x M4 knob for fit joint (code 0511P014)
- ONLY FOR IP20-RATED**
 - 1 x PowerCON IN female cable connector (code 0520P014)
 - 1 x PowerCON OUT female cable connector (code 0520P029)
 - 1 x XLR 5 Pins female cable connector (code 0508B027)
 - 1 x XLR 5 Pins male cable connector (code 0508B028)
- ONLY FOR IP65-RATED**
 - 1 x HARTING 5 pins female cable connector (code 02LD0033)
 - 1 x XLR 5 pins female cable connector (code 0508B147)
 - 1 x XLR 5 pins male cable connector (code 0508B148)

ACCESSORIES ON REQUEST

- Lenses set Narrow 10° (code 03.LK.107.N)
- Lenses set Medium 25° (code 03.LK.108.N)
- Lenses set Wide 40° (code 03.LK.109.N)
- Barndoor and Holographic Filter holder (code 03.LA.142)
- Holographic Filter (complete list in the accessories section)
- Kit Fit joint for joining bars inline - includes 1 x 02M09519.46 and 2 x 0511P014 (code 03.LA.023)
- Line joining truss kit (code 02SK0382)
- Fast-lock bracket kit (code 03.LA.024)
- Short bracket for wall installation (code 03.LA.025)
- Single-side light shield (code 02M09594.46)
- Omega bracket with "Fast Lock" connection 1/4 turn (code 02K00467)
- G60 "C" Clamp - max. load 50 Kg (code 0521A004)
- G-QUICK clamp Professional - max. capacity load 100 Kg (code 0521A037)
- Outdoor DMX cable 2 x 0,25 mm² - Flame retardant (code 0509C158)
- Safety cable - 3 x 600 mm - max. capacity load 30 Kg (code 0521A010)
- Flightcase for 4 units (code 0521C069)
- DTS dongle firmware uploader (code 03.LA.206)
- ONLY FOR IP65-RATED**
 - Permanent Installation kit IP68 2 POWER + 2 DMX (code 03.LA.216)

PHOTOMETRIC DATA

	mt 3 ft 9.84	mt 6 ft 19.68	mt 9 ft 29.53	mt 12 ft 39.37	mt 15 ft 49.21	
BEAM ANGLE 10°	lux center (lx)	7028	1757	781	439	147
	foot candles (fc)	653	163	73	41	14
	diameter (cm)	52	105	157	210	262
	diameter (ft)	1.72	3.44	5.17	6.89	8.61

	mt 3 ft 9.84	mt 6 ft 19.68	mt 9 ft 29.53	mt 12 ft 39.37	mt 15 ft 49.21	
BEAM ANGLE 25°	lux center (lx)	2667	667	296	167	107
	foot candles (fc)	248	62	28	15	10
	diameter (cm)	133	266	399	532	665
	diameter (ft)	4.36	8.73	13.09	17.46	21.82

	mt 3 ft 9.84	mt 6 ft 19.68	mt 9 ft 29.53	mt 12 ft 39.37	mt 15 ft 49.21	
BEAM ANGLE 40°	lux center (lx)	1806	451	201	113	72
	foot candles (fc)	168	42	19	10	7
	diameter (cm)	218	437	655	874	1092
	diameter (ft)	7.16	14.33	21.49	28.66	35.82

FEATURES



OPTIONALS

CERTIFICATIONS



CODES

IP20-RATED

- SP LENSES 10° - 03.LBB015S11FC10
- MF LENSES 25° - 03.LBB015S11FC25
- WF LENSES 40° - 03.LBB015S11FC40

IP65-RATED - ON DEMAND

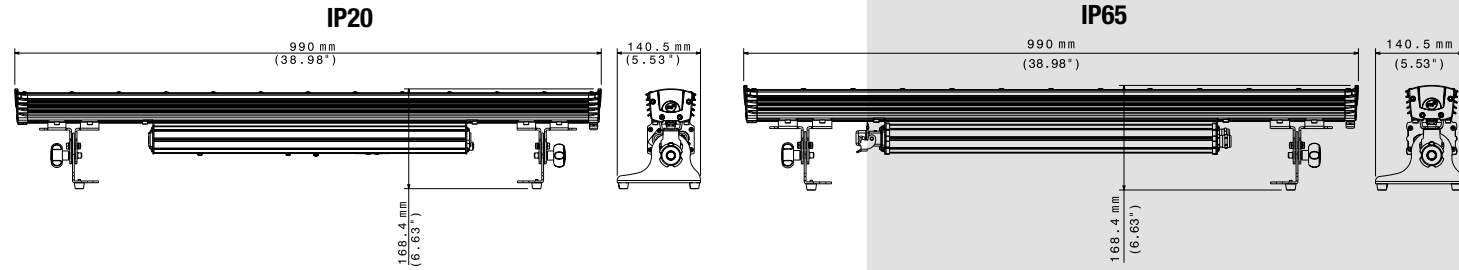
- SP LENSES 10° - 03.LBB011S11FC10
- MF LENSES 25° - 03.LBB011S11FC25
- WF LENSES 40° - 03.LBB011S11FC40



FOS 100 SOLO FC



VERSATILE LED BAR FOR UNIFORM BACKGROUNDS, WITH INTEGRATED PSU



TECHNICAL DATA

OUTPUT

- 15 Full Color (RGBW) LEDs:
- Lumen source 4,608 @ 500mA
- LED lifespan: 50,000 hours (70% lumen output)

OPTICAL GROUP

- 3 lenses sets available: 10° / 25° / 40°
- Holographic filters available on request
- Uniform projection on surfaces

COLOR GENERATION

- 16 million colors
- Wide palette of pure uniform whites
- Variable linear color temperature (2700 K – 8000 K)

CONTROL

- Multi-function 4-digit 7-segment LED display + 4 soft keys
- RDM / DMX 512 protocols
- Internal operating system updatable via DTS dongle firmware uploader

DMX

- 10 DMX channels (default)

POWER SUPPLY

- Integrated full-range PSU 100-240Vac 50-60 Hz;
- Power consumption: 100 W max
- Power Factor: PF >0.95

CONNECTIONS

- IP20-rated PSU
 - PowerCON In/Out panel connector
 - XLR 5 pins In/Out panel connector
- IP65-rated PSU
 - Power OUT Harting panel connector
 - DMX In/Out Harting panel connectors

OPERATING TEMPERATURE

-10° / 40° C

PHYSICAL

- IP20 or IP65
- IK protection degree: IK09 (only IP65-rated)
- Housing: Aluminium
- Weight
 - IP20 rated: 7.3 Kg (-16.1 lbs)
 - IP65 rated: 7.8 Kg (17.2 lbs)
- Finishing: Black

ACCESSORIES INCLUDED

- 1 x Fit joint for joining bars inline (code 02M09519.46)
- 2 x M4 knob for fit joint (code 0511P014)
- ONLY FOR IP20-RATED**
 - 1 x PowerCON IN female cable connector (code 0520P014)
 - 1 x PowerCON OUT female cable connector (code 0520P029)
 - 1 x XLR 5 Pins female cable connector (code 0508B027)
 - 1 x XLR 5 Pins male cable connector (code 0508B028)
- ONLY FOR IP65-RATED**
 - 1 x HARTING 5 pins male connector (code 02LD0093.1)
 - 1 x HARTING 4 pins male connector (code 02LD0032)

ACCESSORIES ON REQUEST

- Lenses set Narrow 10° (code 03.LK.060.N)
- Lenses set Medium 25° (code 03.LK.061.N)
- Lenses set Wide 40° (code 03.LK.062.N)
- Barndoor and Holographic Filter holder (code 03.LA.142)
- Holographic Filter (complete list in the accessories section)
- Kit Fit joint for joining bars inline - includes 1 x 02M09519.46 and 2 x 0511P014 (code 03.LA.023)Line joining truss kit (code 02SK0382)
- Fast-lock bracket kit (code 03.LA.024)
- Short bracket for wall installation (code 03.LA.025)
- Single-side light shield (code 02M09594.46)
- Omega bracket with "Fast Lock" connection 1/4 turn (code 02K00467)
- G60 "C" Clamp - max. load 50 Kg (code 0521A004)
- G-QUICK clamp Professional - max. capacity load 100 Kg (code 0521A037)
- Outdoor DMX cable 2 x 0,25 mm² - Flame retardant (code 0509C158)
- Safety cable - 3 x 600 mm - max. capacity load 30 Kg (code 0521A010)
- Flightcase for 4 units (code 0521C069)
- DTS dongle firmware uploader (code 03.LA.206)
- ONLY FOR IP65-RATED**
 - Permanent Installation kit IP68 2 POWER + 2 DMX (code 03.LA.216)

PHOTOMETRIC DATA

	mt 3 ft 9.84	mt 6 ft 19.68	mt 9 ft 29.53	mt 12 ft 39.37	mt 15 ft 49.21	
BEAM ANGLE 10°	lux center (lx)	3687	922	410	230	147
	foot candles (fc)	343	86	38	21	14
	diameter (cm)	52	105	157	210	262
	diameter (ft)	1.72	3.44	5.17	6.89	8.61

	mt 3 ft 9.84	mt 6 ft 19.68	mt 9 ft 29.53	mt 12 ft 39.37	mt 15 ft 49.21	
BEAM ANGLE 25°	lux center (lx)	1402	351	156	88	56
	foot candles (fc)	130	33	14	8	5
	diameter (cm)	133	266	399	532	665
	diameter (ft)	4.36	8.73	13.09	17.46	21.82

	mt 3 ft 9.84	mt 6 ft 19.68	mt 9 ft 29.53	mt 12 ft 39.37	mt 15 ft 49.21	
BEAM ANGLE 40°	lux center (lx)	950	238	106	59	38
	foot candles (fc)	88	22	10	6	4
	diameter (cm)	218	437	655	874	1092
	diameter (ft)	7.16	14.33	21.49	28.66	35.82

FEATURES



OPTIONALS

CERTIFICATIONS



CODES

IP20-RATED

- SP LENSES 10° - 03.LBB014S11FC10
- MF LENSES 25° - 03.LBB014S11FC25
- WF LENSES 40° - 03.LBB014S11FC40

IP65-RATED - ON DEMAND

- SP LENSES 10° - 03.LBB010S11FC10
- MF LENSES 25° - 03.LBB010S11FC25
- WF LENSES 40° - 03.LBB010S11FC40

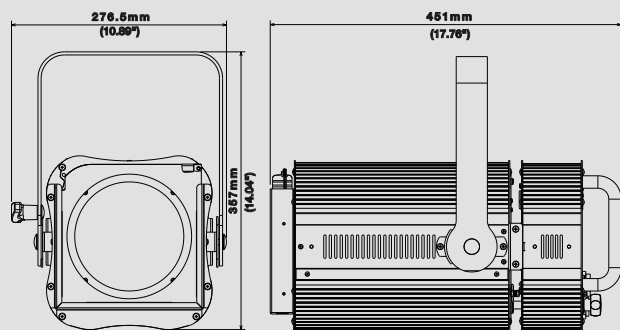
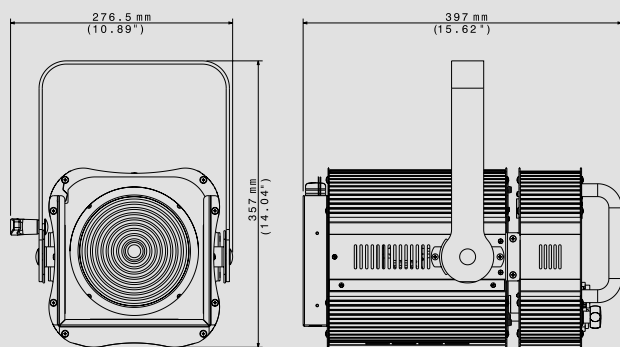




SCENA LED 200



THE THEATRE WHITE LED PROJECTOR AVAILABLE WITH FRESNEL OR ANTIHALO LENS



TECHNICAL DATA

OUTPUT

- Single high-power White 3200 K LED
- CRI > 95
- Also available with 4000K and 5600K LEDs
- LED lifespan: 50,000 hours (70% lumen output)

OPTICAL GROUP

- Ø 150 mm Fresnel lens or Antihalo (PC) lens
- Linear zoom
- 6.5° - 70° with Fresnel lens
- 6.4° - 64° with PC lens

CONTROL

- DMX 512 / RDM or Manual control
- Multi-function 4-digit 7-segment LED display + 4 soft keys
- Internal operating system updatable via DTS dongle firmware uploader

DMX

- 4 DMX channels (default)
- 1 DMX channel
- "Fine" mode

POWER SUPPLY

- Electronic full-range 100-240Vac 50-60 Hz;
- Power consumption: 200 W max
- Power Factor: PF >0.94

CONNECTIONS

- Power supply: PowerCON TRUE1 In/Out panel connectors
- DMX: XLR 5-pole In/Out panel connectors

INTERNAL SAFETY DEVICES

- Overvoltage and overtemperature circuits protection

OPERATING TEMPERATURE

-10° / 40° C

PHYSICAL

- IP20
- Weight:
 - FR - 8.5 Kg (18.5 lbs)
 - PC - 9.5 Kg (21 lbs)
- Finishing: Black

ACCESSORIES INCLUDED

- 1 x PowerCON TRUE1 female cable connector (code 0520P066)
- 1 x XLR 5 pins female cable connector (code 0508B147)
- 1 x XLR 5 pins male cable connector (code 0508B148)
- 1 x Filterframe Black finishing - already installed on the projector (code 02M093278.49)

ACCESSORIES ON REQUEST

- Barndoor Black finishing (code 03.TBD04)
- G60 "C" Clamp black - max. load 50 Kg (code 0521A004)
- Outdoor DMX cable 2 x 0,25 mm² - Flame retardant (code 0509C158)
- Flightcase for 6 units (code 0521C075)
- Safety cable - 3 x 600 mm - max. capacity load 30 Kg (code 0521A010)
- DTS dongle firmware uploader (code 03.LA.206)

PHOTOMETRIC DATA FRESNEL LENS

BEAM ANGLE 6.5° - @ 50%						BEAM ANGLE 70° - @ 10%					
	mt 2 ft 6.56	mt 4 ft 13.12	mt 6 ft 19.68	mt 8 ft 26.25	mt 10 ft 32.81		mt 2 ft 6.56	mt 4 ft 13.12	mt 6 ft 19.68	mt 8 ft 26.25	mt 10 ft 32.81
3200 K	29375	7344	3264	1836	1175	lux center (lx)	2400	600	267	150	96
	2730	683	303	171	109	foot candles (fc)	223	56	25	14	9
4000 K	35663	8916	3963	2229	1427	lux center (lx)	2813	703	313	176	113
	3314	829	368	207	133	foot candles (fc)	261	65	29	16	10
5600 K	34788	8697	3865	2174	1392	lux center (lx)	2720	680	302	170	109
	3233	808	359	202	129	foot candles (fc)	253	63	28	16	10
	23	45	68	91	114	diameter (cm)	280	560	840	1120	1400
	0.75	1.49	2.24	2.98	3.73	diameter (ft)	9.19	18.38	27.57	36.76	45.94

PHOTOMETRIC DATA ANTIHALO LENS

BEAM ANGLE 6.4° - @ 50%						BEAM ANGLE 64° - @ 10%					
	mt 2 ft 6.56	mt 4 ft 13.12	mt 6 ft 19.68	mt 8 ft 26.25	mt 10 ft 32.81		mt 2 ft 6.56	mt 4 ft 13.12	mt 6 ft 19.68	mt 8 ft 26.25	mt 10 ft 32.81
3200 K	34538	8634	3838	2159	1382	lux center (lx)	2119	530	235	132	85
	3210	802	357	201	128	foot candles (fc)	197	49	22	12	8
4000 K	48569	12142	5397	3036	1943	lux center (lx)	2856	714	317	179	114
	4514	1128	502	282	181	foot candles (fc)	265	66	29	17	11
5600 K	41056	10264	4562	2566	1642	lux center (lx)	2450	613	272	153	98
	3816	954	424	238	153	foot candles (fc)	228	57	25	14	9
	22	45	67	89	112	diameter (cm)	250	500	750	1000	1250
	0.73	1.47	2.20	2.93	3.67	diameter (ft)	8.20	16.40	24.60	32.80	41.00

FEATURES



OPTIONALS

MOTORIZED ZOOM VERSION - ON DEMAND

CERTIFICATIONS



CODES

SCENA LED 200 - FRESNEL LENS

- 3200 K - 03.TS046.46.F
- 4000 K - 03.TS048.46.F
- 5600 K - 03.TS064.46.F

SCENA LED 200 - PC - ANTIHALO LENS

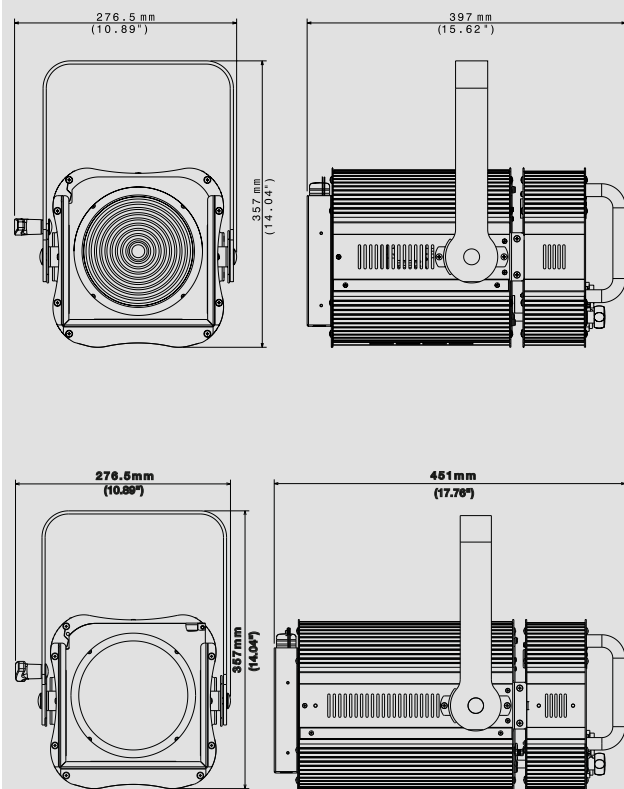
- 3200 K - 03.TS046.46.A
- 4000 K - 03.TS048.46.A
- 5600 K - 03.TS064.46.A



SCENA LED 200 CT



THE THEATRE LED PROJECTOR WITH SELECTABLE COLOR TEMPERATURE



TECHNICAL DATA

OUTPUT

- Single high-power White with linearly tunable color temperature (2700 K - 6500 K)
- CRI > 90
- LED lifespan: 50,000 hours (70% lumen output)

OPTICAL GROUP

- Ø 150 mm Fresnel lens
- Linear zoom
 - 6.5° - 70° with Fresnel lens
 - 6.4° - 64° with PC lens

CONTROL

- DMX 512 / RDM or Manual control
- Multi-function 4-digit 7-segment LED display + 4 soft keys
- Internal operating system updatable via DTS dongle firmware uploader

DMX

- 7 DMX channels (default)
- 2 DMX channels
- "CTC" mode

POWER SUPPLY

- Electronic full-range 100-240Vac 50-60 Hz;
- Power consumption: 200 W max
- Power Factor: PF >0.94

CONNECTIONS

- Power supply: PowerCON TRUE1 In/Out panel connectors
- DMX: XLR 5-pole In/Out panel connectors

INTERNAL SAFETY DEVICES

- Overvoltage and overtemperature circuits protection

OPERATING TEMPERATURE

-10° / 40° C

PHYSICAL

- IP20
- Weight:
 - FR - 8.6 Kg (19 lbs)
 - PC - 9.5 Kg (21 lbs) Finishing: Black
- Finishing: Black

ACCESSORIES INCLUDED

- 1 x PowerCON TRUE1 female cable connector (code 0520P066)
- 1 x XLR 5 pins female cable connector (code 0508B147)
- 1 x XLR 5 pins male cable connector (code 0508B148)
- 1 x Filterframe Black finishing - already installed on the projector (code 02M093278.49)

ACCESSORIES ON REQUEST

- Barndoor Black finishing (code 03.TBD04)
- G60 "C" Clamp black - max. load 50 Kg (code 0521A004)
- Outdoor DMX cable 2 x 0,25 mm² - Flame retardant (code 0509C158)
- Flightcase for 6 units (code 0521C075)
- Safety cable - 3 x 600 mm - max. capacity load 30 Kg (code 0521A010)
- DTS dongle firmware uploader (code 03.LA.206)

PHOTOMETRIC DATA FRESNEL LENS

	mt 2 ft 6.56	mt 4 ft 13.12	mt 6 ft 19.68	mt 8 ft 26.25	mt 10 ft 32.81	
BEAM ANGLE 6.5° @ 50%	lux center (lx)	25000	6250	2778	1563	1000
	foot candles (fc)	2323	581	258	145	93
	diameter (cm)	23	45	68	91	114
	diameter (ft)	0.75	1.49	2.24	2.98	3.73

	mt 2 ft 6.56	mt 4 ft 13.12	mt 6 ft 19.68	mt 8 ft 26.25	mt 10 ft 32.81	
BEAM ANGLE 70° @ 10%	lux center (lx)	1888	472	210	118	76
	foot candles (fc)	175	44	19	11	7
	diameter (cm)	280	560	840	1120	1400
	diameter (ft)	9.19	18.38	27.57	36.76	45.94

PHOTOMETRIC DATA ANTIHALO LENS

	mt 2 ft 6.56	mt 4 ft 13.12	mt 6 ft 19.68	mt 8 ft 26.25	mt 10 ft 32.81	
BEAM ANGLE 6.4° @ 50%	lux center (lx)	34538	8634	3838	2159	1382
	foot candles (fc)	3210	802	357	201	128
	diameter (cm)	22	45	67	89	112
	diameter (ft)	0.73	1.47	2.20	2.93	3.67

	mt 2 ft 6.56	mt 4 ft 13.12	mt 6 ft 19.68	mt 8 ft 26.25	mt 10 ft 32.81	
BEAM ANGLE 64° @ 10%	lux center (lx)	2119	530	235	132	85
	foot candles (fc)	197	49	22	12	8
	diameter (cm)	250	500	750	1000	1250
	diameter (ft)	8.20	16.40	24.60	32.80	41.00

FEATURES



OPTIONALS

MOTORIZED ZOOM VERSION - ON DEMAND

CERTIFICATIONS



CODES

FRESNEL LENS - 03.TS051.46.F

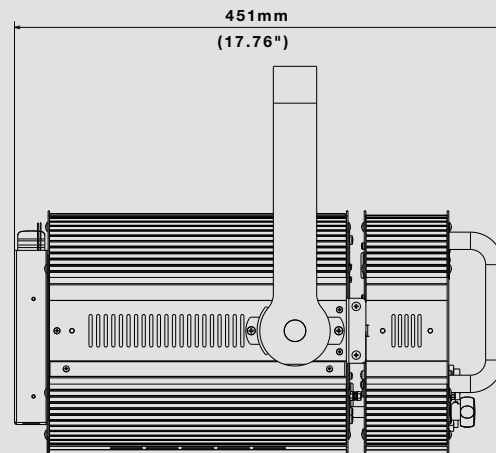
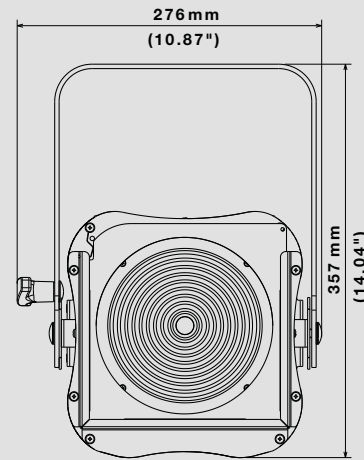
ANTIHALO LENS - 03.TS051.46.A



SCENA LED 200 FC



THE THEATRE LED PROJECTOR WITH FRESNEL LENS AND COLOR MIXING



TECHNICAL DATA

OUTPUT

- Single high-power Full Color (RGBW) LED
- LED lifespan: 50,000 hours (70% lumen output)

OPTICAL GROUP

- Ø 150 mm Fresnel lens
- 14° - 60° linear zoom

COLOR GENERATION

- 28 gel filters macros
- Wide palette of pure uniform whites
- Variable linear color temperature (2700 K – 8000 K)

CONTROL

- DMX 512 / RDM or Manual control
- Multi-function 4-digit 7-segment LED display + 4 soft keys
- Internal operating system updatable via DTS dongle firmware uploader

DMX

- 10 DMX channels (default)
- 4 DMX channels
- 6 DMX channels
- "Fine" mode

POWER SUPPLY

- Electronic full-range 100-240Vac 50-60 Hz;
- Power consumption: 200 W max
- Power Factor: PF >0.94

CONNECTIONS

- Power supply: PowerCON TRUE1 In/Out panel connectors
- DMX: XLR 5-pole In/Out panel connectors

INTERNAL SAFETY DEVICES

- Overvoltage and overtemperature circuits protection

OPERATING TEMPERATURE

-10° / 40° C

PHYSICAL

- IP20
- Weight: 9.4 Kg (20.7 lbs)
- Finishing: Black

ACCESSORIES INCLUDED

- 1 x PowerCON TRUE1 female cable connector (code 0520P066)
- 1 x XLR 5 pins female cable connector (code 0508B147)
- 1 x XLR 5 pins male cable connector (code 0508B148)
- 1 x Filterframe Black finishing - already installed on the projector (code 02M093278.49)

ACCESSORIES ON REQUEST

- Barndoor Black finishing (code 03.TBD04)
- G60 "C" Clamp black - max. load 50 Kg (code 0521A004)
- Outdoor DMX cable 2 x 0,25 mm² - Flame retardant (code 0509C158)
- Flightcase for 6 units (code 0521C075)
- Safety cable - 3 x 600 mm - max. capacity load 30 Kg (code 0521A010)
- DTS dongle firmware uploader (code 03.LA.206)

PHOTOMETRIC DATA

	mt 2 ft 6.56	mt 4 ft 13.12	mt 6 ft 19.68	mt 8 ft 26.25	mt 10 ft 32.81	
BEAM ANGLE 14° @ 50%	lux center (lx)	15744	3936	1749	984	630
	foot candles (fc)	1463	366	163	91	59
	diameter (cm)	49	98	147	196	246
	diameter (ft)	1.61	3.22	4.83	6.45	8.06
BEAM ANGLE 60° @ 10%	mt 2 ft 6.56	mt 4 ft 13.12	mt 6 ft 19.68	mt 8 ft 26.25	mt 10 ft 32.81	
	lux center (lx)	4081	1020	453	255	163
	foot candles (fc)	379	95	42	24	15
	diameter (cm)	231	462	693	924	1155
diameter (ft)	7.58	15.15	22.73	30.31	37.88	

FEATURES



OPTIONALS

MOTORIZED ZOOM VERSION - ON DEMAND

CERTIFICATIONS



CODES

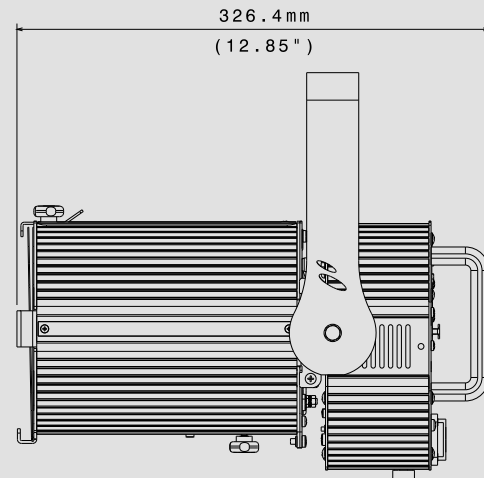
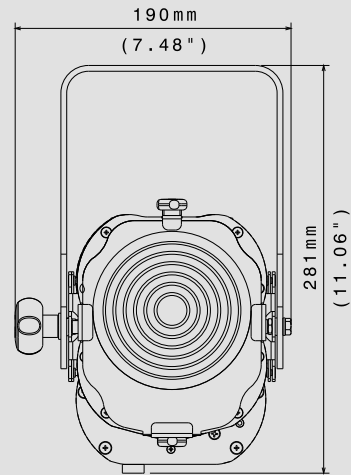
03.TS055.46.F



SCENA LED 120 HQS



THE THEATRE LED PROJECTOR WITH AN UNLIMITED COLOR PALETTE



TECHNICAL DATA

OUTPUT

- Single 4-color LED source
- LED lifespan: 50,000 hours (70% lumen output)

OPTICAL GROUP

- Ø 112 mm Fresnel lens
- 20° - 74° linear zoom

COLOR GENERATION

- 16 million colors
- Wide palette of pure uniform whites
- Variable linear color temperature (2700 K – 8000 K)

DIMMER

Hi-Q Dimming technology

CONTROL

- DMX 512 / RDM control
- Multi-function 4-digit 7-segment LED display + 4 soft keys
- Internal operating system updatable via DTS dongle firmware uploader

DMX

- 10 DMX channels (default)
- 4 DMX channels
- 6 DMX channels
- "Fine" mode
- "Prom" mode

POWER SUPPLY

- Electronic full-range 100-240Vac 50-60 Hz;
- Power consumption: 120 W max
- Power Factor: PF >0.95

CONNECTIONS

- Power supply: PowerCON TRUE1 In/Out panel connectors
- DMX: XLR 5-pole In/Out panel connectors

INTERNAL SAFETY DEVICES

- Overvoltage and overtemperature circuits protection

OPERATING TEMPERATURE

-10° / 40° C

PHYSICAL

- IP20
- Weight: 4.5 Kg (9.9 lbs)
- Finishing: Black

CODE

03.TS081.46.F

FEATURES



OPTIONALS

CERTIFICATIONS



ACCESSORIES INCLUDED

- 1 x Cable with PowerCON TRUE1 female connector (code 02K0012267.0015)
- 1 x FilterframeBlack finishing - already installed on the projector (code 02M00422.46)

ACCESSORIES ON REQUEST

- Barndoor Black finishing (code 03.TA206)
- G50 "C" Clamp - max. Load 10 Kg (code 0521A012)
- G60 "C" Clamp - max. Load 50 Kg (code 0521A004)
- Outdoor DMX cable 2 x 0,25 mm² - Flame retardant (code 0509C158)
- Safety cable - 3 x 600 mm - max. capacity load 30 Kg (code 0521A010)
- DTS dongle firmware uploader (code 03.LA.206)

PHOTOMETRIC DATA

		mt 2 ft 6.56	mt 4 ft 13.12	mt 6 ft 19.68	mt 8 ft 26.25	mt 10 ft 32.81
BEAM ANGLE 20° - @ 50%	COLORS (Full power)					
	lux center (lx)	3375	844	375	211	135
	foot candles (fc)	314	78	35	20	13
3200 K	lux center (lx)	2025	506	225	127	81
	foot candles (fc)	188	47	21	12	8
4000 K	lux center (lx)	2273	568	253	142	91
	foot candles (fc)	211	53	23	13	8
5600 K	lux center (lx)	2475	619	275	155	99
	foot candles (fc)	230	58	26	14	9
	diameter (cm)	71	141	212	282	353
	diameter (ft)	2.31	4.63	6.94	9.26	11.57

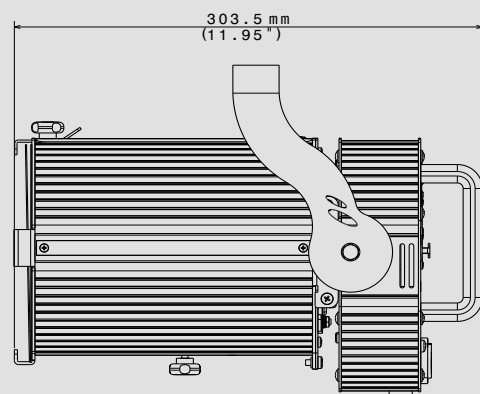
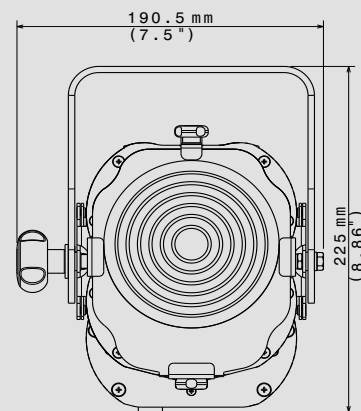
		mt 2 ft 6.56	mt 4 ft 13.12	mt 6 ft 19.68	mt 8 ft 26.25	mt 10 ft 32.81
BEAM ANGLE 74° - @ 10%	COLORS (Full power)					
	lux center (lx)	855	214	95	53	34
	foot candles (fc)	79	20	9	5	3
3200 K	lux center (lx)	506	127	56	32	20
	foot candles (fc)	47	12	12	3	2
4000 K	lux center (lx)	540	135	60	34	22
	foot candles (fc)	50	13	6	3	2
5600 K	lux center (lx)	608	152	68	38	24
	foot candles (fc)	56	14	6	4	2
	diameter (cm)	301	603	904	1206	1507
	diameter (ft)	9.89	19.78	29.67	39.56	49.45



SCENA LED 80



THE SMART REPLACEMENT OF THE CONVENTIONAL THEATRE LIGHTS WITH RAIL-MOUNTING OPTIONAL



TECHNICAL DATA

OUTPUT

- Single White 3000 K LED source
- CRI > 90
- Also available with 4000 K and 5000 K LED
- LED lifespan: 50,000 hours (70% lumen output)

OPTICAL GROUP

- Ø 112 mm Fresnel lens
- 14° - 77° linear zoom

CONTROL

- DMX 512 / RDM or Manual control
- Multi-function 4-digit 7-segment LED display + 4 soft keys
- Internal operating system updatable via DTS dongle firmware uploader

DMX

- 2 DMX channels (default)
- 3 DMX channels
- 1 DMX channel

POWER SUPPLY

- Electronic full-range 100-240Vac 50-60 Hz;
- Power consumption: 100 W max
- Power Factor: PF >0.95

CONNECTIONS

- Power supply: PowerCON In/Out panel connectors
- DMX: XLR 5-pole In/Out panel connectors

INTERNAL SAFETY DEVICES

- Overvoltage and overtemperature circuits protection

OPERATING TEMPERATURE

-10° / 40° C

PHYSICAL

- IP20
- Weight: 4.2 Kg (9.3 lbs)
- Finishing: Black

ACCESSORIES INCLUDED

- 1 x PowerCON female cable connector (code 0520P014)
- 1 x XLR 5 pins female cable connector (code 0508B027)
- 1 x XLR 5 pins male cable connector (code 0508B028)
- 1 x Filterframe Black finishing - already installed on the projector (code 02M00422.46)

ACCESSORIES ON REQUEST

- Barndoor Black finishing (code 03.TA206)
 - G50 "C" Clamp - max. Load 10 Kg (code 0521A012)
 - G60 "C" Clamp - max. Load 50 Kg (code 0521A004)
 - Outdoor DMX cable 2 x 0,25 mm² - Flame retardant (code 0509C158)
 - Safety cable - 3 x 600 mm - max. capacity load 30 Kg (code 0521A010)
 - DTS dongle firmware uploader (code 03.LA.206)
- ACCESSORIES FOR ELECTRIFIED RAIL MOUNTING**
- Track adapter - black finishing (code 03.LA.235)

PHOTOMETRIC DATA

		mt 2 ft 6.56	mt 4 ft 13.12	mt 6 ft 19.68	mt 8 ft 26.25	mt 10 ft 32.81
3000 K	lux center (lx)	7145	1786	794	447	286
	foot candles (fc)	664	166	74	42	27
4000 K	lux center (lx)	8146	2037	905	509	326
	foot candles (fc)	757	189	84	47	30
5000 K	lux center (lx)	8146	2037	905	509	326
	foot candles (fc)	757	189	84	47	30
	diameter (cm)	49	98	147	196	246
	diameter (ft)	1.61	3.22	4.83	6.45	8.06

		mt 2 ft 6.56	mt 4 ft 13.12	mt 6 ft 19.68	mt 8 ft 26.25	mt 10 ft 32.81
3000 K	lux center (lx)	1399	350	155	87	56
	foot candles (fc)	130	33	14	8	5
4000 K	lux center (lx)	1653	413	184	103	66
	foot candles (fc)	154	38	17	10	6
5000 K	lux center (lx)	1653	413	184	103	66
	foot candles (fc)	154	38	17	10	6
	diameter (cm)	318	636	955	1273	1591
	diameter (ft)	10.44	20.88	31.32	41.75	52.19

FEATURES



OPTIONALS

MOTORIZED ZOOM VERSION - ON DEMAND
ANTIHALO LENS VERSION - ON DEMAND

CERTIFICATIONS



CODES

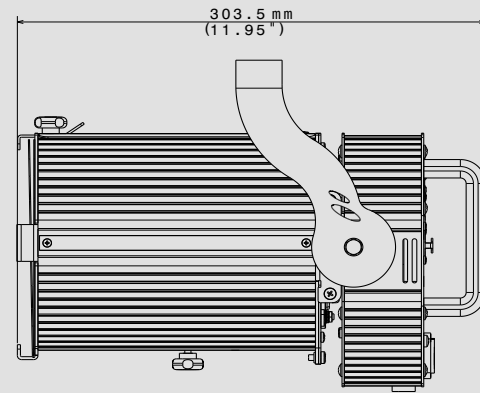
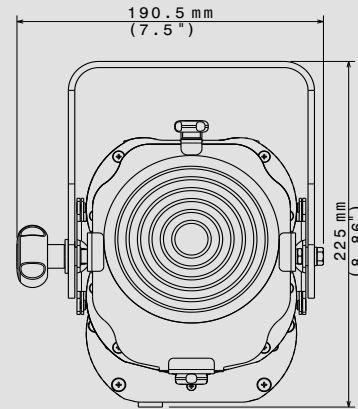
FRESNEL 3000 K - 03.TS031.46.F
FRESNEL 4000 K - 03.TS032.46.F
FRESNEL 5000 K - 03.TS033.46.F



SCENA LED 80 CT



THE SMART THEATRE LIGHTS WITH
SELECTABLE COLOR TEMPERATURE.
RAIL-MOUNTING ADAPTOR AVAILABLE



TECHNICAL DATA

OUTPUT

- Single White LED source with linearly tunable color temperature (2700 K - 6000 K)
- CRI > 80
- LED lifespan: 50,000 hours (70% lumen output)

OPTICAL GROUP

- Ø 112 mm Fresnel lens
- 14° - 77° linear zoom

CONTROL

- DMX 512 / RDM or Manual control
- Multi-function 4-digit 7-segment LED display + 4 soft keys
- Internal operating system updatable via DTS dongle firmware uploader

DMX

- 7 DMX channels (default)
- 2 DMX channels
- "CTC" mode

POWER SUPPLY

- Electronic full-range 100-240Vac 50-60 Hz;
- Power consumption: 100 W max
- Power Factor: PF >0.95

CONNECTIONS

- Power supply: PowerCON In/Out panel connectors
- DMX: XLR 5-pole In/Out panel connectors

INTERNAL SAFETY DEVICES

- Overvoltage and overtemperature circuits protection

OPERATING TEMPERATURE

-10° / 40° C

PHYSICAL

- IP20
- Weight: 4 Kg (8.8 lbs)
- Finishing: Black

ACCESSORIES INCLUDED

- 1 x PowerCON female cable connector (code 0520P014)
- 1 x XLR 5 pins female cable connector (code 0508B027)
- 1 x XLR 5 pins male cable connector (code 0508B028)
- 1 x Filterframe Black finishing - already installed on the projector (code 02M00422.46)

ACCESSORIES ON REQUEST

- Barndoor Black finishing (code 03.TA206)
- G50 "C" Clamp - max. Load 10 Kg (code 0521A012)
- G60 "C" Clamp - max. Load 50 Kg (code 0521A004)
- Outdoor DMX cable 2 x 0,25 mm² - Flame retardant (code 0509C158)
- Safety cable - 3 x 600 mm - max. capacity load 30 Kg (code 0521A010)
- DTS dongle firmware uploader (code 03.LA.206)

ACCESSORIES FOR ELECTRIFIED RAIL MOUNTING

- Track adapter - black finishing (code 03.LA.235)

PHOTOMETRIC DATA

	mt 2 ft 6.56	mt 4 ft 13.12	mt 6 ft 19.68	mt 8 ft 26.25	mt 10 ft 32.81	
BEAM ANGLE 14° @ 50%	lux center (lx)	9094	2273	1010	568	364
	foot candles (fc)	845	211	94	53	34
	diameter (cm)	49	98	147	196	246
	diameter (ft)	1.61	3.22	4.83	6.45	8.06
BEAM ANGLE 77° @ 10%	lux center (lx)	1500	375	167	94	60
	foot candles (fc)	139	35	15	9	6
	diameter (cm)	318	636	955	1273	1591
	diameter (ft)	10.44	20.88	31.32	41.75	52.19

FEATURES



OPTIONALS

MOTORIZED ZOOM VERSION - ON DEMAND

CERTIFICATIONS



CODE

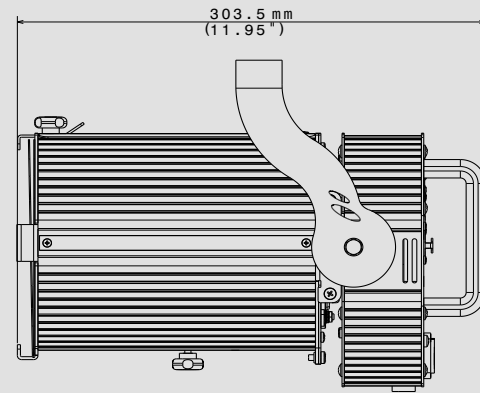
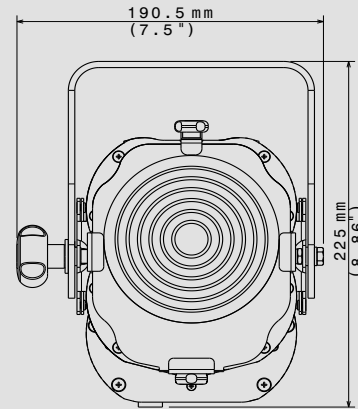
03.TS047.46.F



SCENA LED 80 FC



THE SMART THEATRE LIGHTS
WITH RGBW COLOR MIXING.
RAIL-MOUNTING ADAPTOR AVAILABLE



TECHNICAL DATA

OUTPUT

- Single Full Color (RGBW) LED source
- LED lifespan: 50,000 hours (70% lumen output)

OPTICAL GROUP

- Ø 112 mm Fresnel lens
- 14° - 77° linear zoom

COLOR GENERATION

- 16 million colors
- Wide palette of pure uniform whites
- Variable linear color temperature (2700 K – 8000 K)

CONTROL

- DMX 512 / RDM control
- Multi-function 4-digit 7-segment LED display + 4 soft keys
- Internal operating system updatable via DTS dongle firmware uploader

DMX

- 10 DMX channels (default)

POWER SUPPLY

- Electronic full-range 100-240Vac 50-60 Hz;
- Power consumption: 100 W max
- Power Factor: PF >0.95

CONNECTIONS

- Power supply: PowerCON In/Out panel connectors
- DMX: XLR 5-pole In/Out panel connectors

INTERNAL SAFETY DEVICES

- Overvoltage and overtemperature circuits protection

OPERATING TEMPERATURE

-10° / 40° C

PHYSICAL

- IP20
- Weight: 4.2 Kg (9.3 lbs)
- Finishing: Black

ACCESSORIES INCLUDED

- 1 x PowerCON female cable connector (code 0520P014)
- 1 x XLR 5 pins female cable connector (code 0508B027)
- 1 x XLR 5 pins male cable connector (code 0508B028)
- 1 x Filterframe Black finishing - already installed on the projector (code 02M00422.46)

ACCESSORIES ON REQUEST

- Barndoor Black finishing (code 03.TA206)
- G50 "C" Clamp - max. Load 10 Kg (code 0521A012)
- G60 "C" Clamp - max. Load 50 Kg (code 0521A004)
- Outdoor DMX cable 2 x 0,25 mm² - Flame retardant (code 0509C158)
- Safety cable - 3 x 600 mm - max. capacity load 30 Kg (code 0521A010)
- DTS dongle firmware uploader (code 03.LA.206)

ACCESSORIES FOR ELECTRIFIED RAIL MOUNTING

- Track adapter - black finishing (code 03.LA.235)

PHOTOMETRIC DATA

	mt 2 ft 6.56	mt 4 ft 13.12	mt 6 ft 19.68	mt 8 ft 26.25	mt 10 ft 32.81	
BEAM ANGLE 14° @ 50%	lux center (lx)	3864	966	429	242	155
	foot candles (fc)	359	90	40	22	14
	diameter (cm)	49	98	147	196	246
	diameter (ft)	1.61	3.22	4.83	6.45	8.06
BEAM ANGLE 77° @ 10%	lux center (lx)	640	160	71	40	26
	foot candles (fc)	59	15	7	4	2
	diameter (cm)	318	636	955	1273	1591
	diameter (ft)	10.44	20.88	31.32	41.75	52.19

FEATURES



OPTIONALS

CERTIFICATIONS



CODE

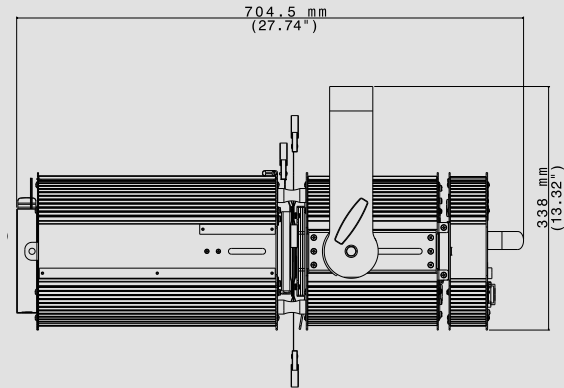
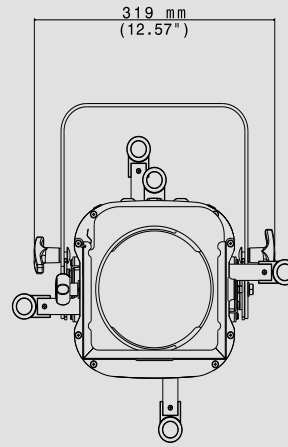
03.TS026.46.F



PROFILO LED 200



THE HIGH-POWER VERSATILE ALTERNATIVE TO CONVENTIONAL PROFILERS



TECHNICAL DATA

OUTPUT

- Single high-power 200 W white LED (3200 K)
- CRI > 95
- Also available with 4000 K or 5600 K LED (CRI > 90)
- LED lifespan: 50,000 hours (70% lumen output)

OPTICAL GROUP

- 15.5° - 38° linear zoom
- High definition zoom lens with double optical condenser lens

FRAMING SYSTEM

- Framing system composed of 4 asymmetric blades
- Each blade can be inverted
- 70° full system rotation (+/- 35°)
- Blades operate on three discrete planes
- A 5th blade can be added

GOBOS

- Ø external: 86 mm
- Ø of image: 60 mm
- Thickness: from 0.2 to 2 mm

CONTROL

- DMX 512 / RDM or Manual control
- Multi-function 4-digit 7-segment LED display + 4 soft keys
- Internal operating system updatable via DTS dongle firmware uploader

DMX

- 4 DMX channels (default)
- 1 DMX channel
- "Fine" mode

POWER SUPPLY

- Electronic full-range 100-240Vac 50-60 Hz;
- Power consumption: 200 W max
- Power Factor: PF >0.94

CONNECTIONS

- Power supply: PowerCON TRUE1 In/Out panel connectors
- DMX: XLR 5-pole In/Out panel connectors

INTERNAL SAFETY DEVICES

- Overvoltage and overtemperature circuits protection

OPERATING TEMPERATURE

-10° / 40° C

PHYSICAL

- IP20
- Internal system with four removable shutters
- Yoke featuring an exclusive sliding system with clutch for a wider tilt
- Weight: 16.9 Kg (37.3 lbs)
- Finishing: Black

ACCESSORIES INCLUDED

ON BOARD

- 1 x Soft edge filter assembly (code 02TP0047)
- 1 x Filterframe Black finishing (code 02M00420.49)

IN THE BOX

- 1 x PowerCON TRUE1 female cable connector (code 0520P066)
- 1 x XLR 5 pins female cable connector (code 0508B147)
- 1 x XLR 5 pins male cable connector (code 0508B148)
- 4 x Shutter blades assembly (single blade code 02SK0429)

ACCESSORIES ON REQUEST

- 5th shutter blade (code 02SK0429)
- Iris/Diaphragm (code 03.TA225)
- Gobo holder (code 03.TA226)
- G60 "C" Clamp - max. Load 50 Kg (code 0521A004)
- Outdoor DMX cable 2 x 0,25 mm² - Flame retardant (code 0509C158)
- Safety cable - 3 x 600 mm - max. capacity load 30 Kg (code 0521A010)
- DTS dongle firmware uploader (code 03.LA.206)

PHOTOMETRIC DATA

		mt 2 ft 6.56	mt 4 ft 13.12	mt 6 ft 19.68	mt 8 ft 26.25	mt 10 ft 32.81	
BEAM ANGLE 15.5°	3200 K	lux center (lx)	24869	6217	2763	1554	995
		foot candles fc	2311	578	257	144	92
	4000 K	lux center (lx)	32382	8096	3598	2024	1295
		foot candles fc	3009	752	334	188	120
	5600 K	lux center (lx)	36448	9112	4050	2278	326
		foot candles fc	3387	847	376	212	30
diameter (cm)		54	109	163	218	272	
diameter (ft)		1.79	3.57	5.36	7.14	8.93	
BEAM ANGLE 38°	3000 K	lux center (lx)	5614	1403	624	351	225
		foot candles fc	522	130	58	33	21
	4000 K	lux center (lx)	6863	1716	763	429	275
		foot candles fc	638	159	71	40	26
	5000 K	lux center (lx)	7774	1943	864	486	311
		foot candles fc	722	181	80	45	29
		diameter (cm)	138	275	413	551	689
		diameter (ft)	4.52	9.04	13.56	18.07	22.59

FEATURES



OPTIONALS

CERTIFICATIONS



CODES

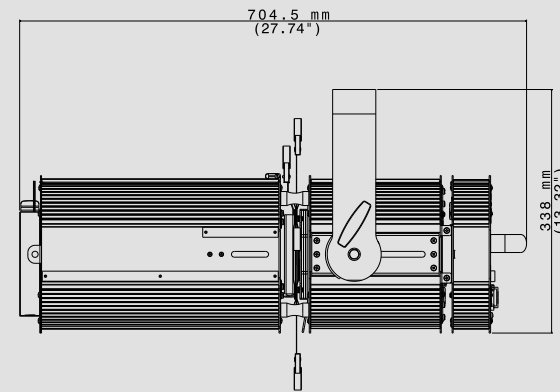
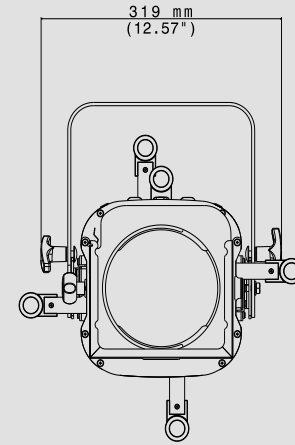
3200 K - 03.TP035.46
 4000 K - 03.TP036.46
 5600 K - 03.TP037.46



PROFILO LED 200 CT



THE HIGH-POWER ALTERNATIVE TO CONVENTIONAL PROFILERS WITH SELECTABLE COLOR TEMPERATURE



TECHNICAL DATA

OUTPUT

- Single high-power 200 W white LED with linearly tunable color temperature (2700 K - 6500 K)
- CRI > 90
- LED lifespan: 50,000 hours (70% lumen output)

OPTICAL GROUP

- 15.5° - 38° linear zoom
- High definition zoom lens with double optical condenser lens

FRAMING SYSTEM

- Framing system composed of 4 asymmetric blades
- Each blade can be inverted
- 70° full system rotation (+/- 35°)
- Blades operate on three discrete planes
- A 5th blade can be added

GOBOS

- Ø external: 86 mm
- Ø of image: 60 mm
- Thickness: from 0.2 to 2 mm

CONTROL

- DMX 512 / RDM or Manual control
- Multi-function 4-digit 7-segment LED display + 4 soft keys
- Internal operating system updatable via DTS dongle firmware uploader

DMX

- 7 DMX channels (default)
- 2 DMX channel
- "CTC" mode

POWER SUPPLY

- Electronic full-range 100-240Vac 50-60 Hz;
- Power consumption: 200 W max
- Power Factor: PF >0.94

CONNECTIONS

- Power supply: PowerCON TRUE1 In/Out panel connectors
- DMX: XLR 5-pole In/Out panel connectors

INTERNAL SAFETY DEVICES

- Overvoltage and overtemperature circuits protection

OPERATING TEMPERATURE

-10° / 40° C

PHYSICAL

- IP20
- Internal system with four removable shutters
- Yoke featuring an exclusive sliding system with clutch for a wider tilt
- Weight: 16.85 Kg (37.15 lbs)
- Finishing: Black

ACCESSORIES INCLUDED

ON BOARD

- 1 x Soft edge filter assembly (code 02TP0047)
- 1 x Filterframe Black finishing (code 02M00420.49)

IN THE BOX

- 1 x PowerCON TRUE1 female cable connector (code 0520P066)
- 1 x XLR 5 pins female cable connector (code 0508B147)
- 1 x XLR 5 pins male cable connector (code 0508B148)
- 4 x Shutter blades assembly (single blade code 02SK0429)

ACCESSORIES ON REQUEST

- 5th shutter blade (code 02SK0429)
- Iris/Diaphragm (code 03.TA225)
- Gobo holder (code 03.TA226)
- G60 "C" Clamp - max. Load 50 Kg (code 0521A004)
- Outdoor DMX cable 2 x 0,25 mm² - Flame retardant (code 0509C158)
- Safety cable - 3 x 600 mm - max. capacity load 30 Kg (code 0521A010)
- DTS dongle firmware uploader (code 03.LA.206)

PHOTOMETRIC DATA

	mt 2 ft 6.56	mt 4 ft 13.12	mt 6 ft 19.68	mt 8 ft 26.25	mt 10 ft 32.81
BEAM ANGLE 15.5°					
lux center (lx)	25900	6475	2878	1619	1036
foot candles (fc)	2407	602	267	150	96
diameter (cm)	54	109	163	218	272
diameter (ft)	1.79	3.57	5.36	7.14	8.93
BEAM ANGLE 38°					
lux center (lx)	5551	1388	617	347	222
foot candles (fc)	516	129	57	32	21
diameter (cm)	138	275	413	551	689
diameter (ft)	4.52	9.04	13.56	18.07	22.59

FEATURES



OPTIONALS

CERTIFICATIONS



CODE

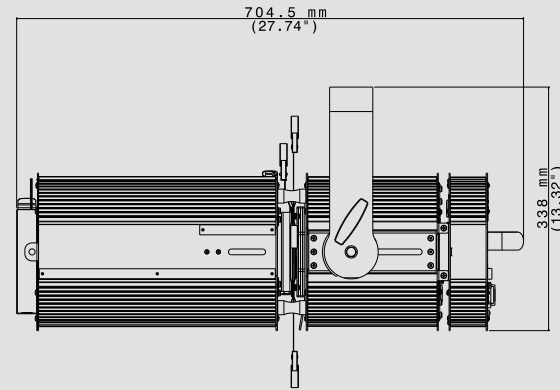
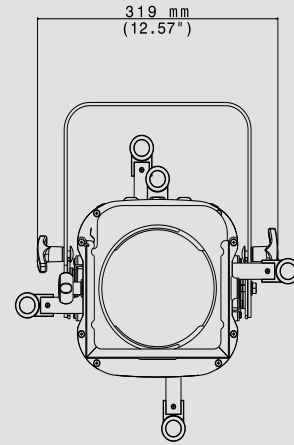
03.TP039.46



PROFILO LED 200 FC



THE HIGH-POWER ALTERNATIVE TO CONVENTIONAL PROFILERS WITH RGBW COLOR MIXING



TECHNICAL DATA

OUTPUT

- Single high-power 200 W Full Color (RGBW) LED with Cold White 5600 K
- Cold White CRI > 90
- LED lifespan: 50,000 hours (70% lumen output)

OPTICAL GROUP

- 19° - 41° linear zoom
- High definition zoom lens with double optical condenser lens

FRAMING SYSTEM

- Framing system composed of 4 asymmetric blades
- Each blade can be inverted
- 70° full system rotation (+/- 35°)
- Blades operate on three discrete planes
- A 5th blade can be added

COLOR GENERATION

- 28 Gel Filters Macros
- Wide palette of pure uniform whites
- Variable linear color temperature (2700 K – 8000 K)

GOBOS

- Ø external: 86 mm
- Ø of image: 60 mm
- Thickness: from 0.2 to 2 mm

CONTROL

- DMX 512 / RDM or Manual control
- Multi-function 4-digit 7-segment LED display + 4 soft keys
- Internal operating system updatable via DTS dongle firmware uploader

DMX

- 10 DMX channels (default)
- 4 DMX channels
- 6 DMX channels
- "Fine" mode

POWER SUPPLY

- Electronic full-range 100-240Vac 50-60 Hz;
- Power consumption: 200 W max
- Power Factor: PF >0.94

CONNECTIONS

- Power supply: PowerCON TRUE1 In/Out panel connectors
- DMX: XLR 5-pole In/Out panel connectors

INTERNAL SAFETY DEVICES

- Overvoltage and overtemperature circuits protection

OPERATING TEMPERATURE

-10° / 40° C

PHYSICAL

- IP20
- Internal system with four removable shutters
- Yoke featuring an exclusive sliding system with clutch for a wider tilt
- Weight: 16.95 Kg (37.4 lbs)
- Finishing: Black

ACCESSORIES INCLUDED

ON BOARD

- 1 x Soft edge filter assembly (code 02TP0047)
- 1 x Filterframe Black finishing (code 02M00420.49)

IN THE BOX

- 1 x PowerCON TRUE1 female cable connector (code 0520P066)
- 1 x XLR 5 pins female cable connector (code 0508B147)
- 1 x XLR 5 pins male cable connector (code 0508B148)
- 4 x Shutter blades assembly (single blade code 02SK0429)

ACCESSORIES ON REQUEST

- 5th shutter blade (code 02SK0429)
- Iris/Diaphragm (code 03.TA225)
- Gobo holder (code 03.TA226)
- G60 "C" Clamp - max. Load 50 Kg (code 0521A004)
- Outdoor DMX cable 2 x 0,25 mm² - Flame retardant (code 0509C158)
- Safety cable - 3 x 600 mm - max. capacity load 30 Kg (code 0521A010)
- DTS dongle firmware uploader (code 03.LA.206)

PHOTOMETRIC DATA

	mt 2 ft 6.56	mt 4 ft 13.12	mt 6 ft 19.68	mt 8 ft 26.25	mt 10 ft 32.81	
BEAM ANGLE 19°	lux center (lx)	11147	2787	1239	697	446
	foot candles (fc)	1036	259	115	65	41
	diameter (cm)	67	134	201	268	335
	diameter (ft)	2.20	4.39	6.59	8.78	10.98
BEAM ANGLE 41°	lux center (lx)	3031	758	337	189	121
	foot candles (fc)	282	70	31	18	11
	diameter (cm)	150	299	449	598	748
	diameter (ft)	4.91	9.81	14.72	19.63	24.53

FEATURES



OPTIONALS

CERTIFICATIONS



CODE

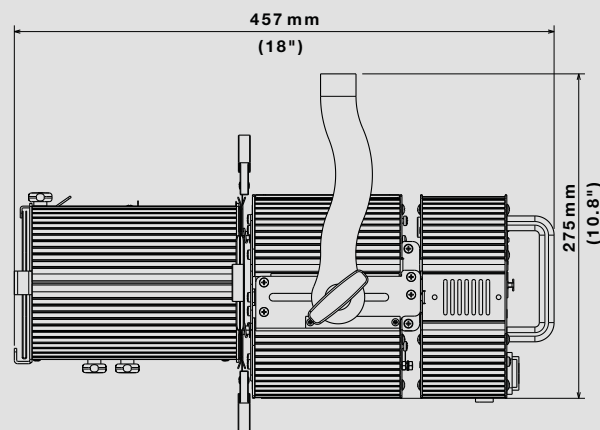
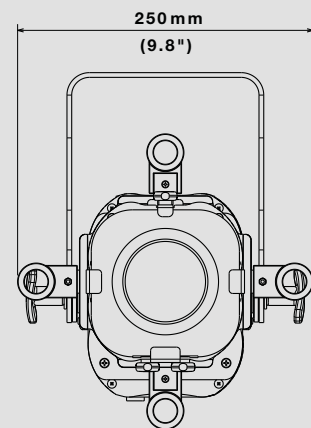
03.TP038.46



PROFILO LED 120 HQS



THE LED-BASE PROFILE WITH AN UNLIMITED COLOR PALETTE



TECHNICAL DATA

OUTPUT

- Single 4-color LED source
- LED lifespan: 50,000 hours (70% lumen output)

OPTICAL GROUP

- 20° - 38° linear zoom
- High definition zoom lens with double optical condenser lens

COLOR GENERATION

- 16 million colors
- Wide palette of pure uniform whites
- Variable linear color temperature (2700 K – 8000 K)

GOBOS

- Gobo type M
- Ø external: 66 mm
- Ø of image: 48 mm
- Thickness: from 0.2 to 3 mm

DIMMER

- Hi-Q Dimming technology

CONTROL

- DMX 512 / RDM control
- Multi-function 4-digit 7-segment LED display + 4 soft keys
- Internal operating system updatable via DTS dongle firmware uploader

DMX

- 10 DMX channels (default)
- 4 DMX channels
- 6 DMX channels
- "Fine" mode
- "Prom" mode

POWER SUPPLY

- Electronic full-range 100-240Vac 50-60 Hz;
- Power consumption: 120 W max
- Power Factor: PF >0.95

CONNECTIONS

- Power supply: PowerCON TRUE1 In/Out panel connectors
- DMX: XLR 5-pole In/Out panel connectors

INTERNAL SAFETY DEVICES

- Overvoltage and overtemperature circuits protection

OPERATING TEMPERATURE

-10° / 40° C

PHYSICAL

- IP20
- Weight: 6.3 Kg (13.9 lbs)
- Finishing: Black

ACCESSORIES INCLUDED

- 1 x Cable with PowerCON TRUE1 female connector (code 02K0012267.0015)
- 1 x FilterframeBlack finishing - already installed on the projector (code 02M00422.46)
- 1 x Soften filter 10° (code 02SK0464)
- 4 x Shutter blades (single blade code 02SK0335)

ACCESSORIES ON REQUEST

- G50 "C" Clamp - max. Load 10 Kg (code 0521A012)
- G60 "C" Clamp - max. Load 50 Kg (code 0521A004)
- Gobo holder (code 03.TA224)
- Iris/diaphragm (code 03.TA223)
- Outdoor DMX cable 2 x 0,25 mm² - Flame retardant (code 0509C158)
- Safety cable - 3 x 600 mm - max. capacity load 30 Kg (code 0521A010)
- DTS dongle firmware uploader (code 03.LA.206)

PHOTOMETRIC DATA

		mt 2 ft 6.56	mt 4 ft 13.12	mt 6 ft 19.68	mt 8 ft 26.25	mt 10 ft 32.81
COLORS (Full power)	lux center (lx)	4613	1153	513	288	185
	foot candles (fc)	429	107	48	27	17
3200 K	lux center (lx)	2700	675	300	169	108
	foot candles (fc)	251	63	28	16	10
4000 K	lux center (lx)	3150	788	350	197	126
	foot candles (fc)	293	73	33	18	12
5600 K	lux center (lx)	3375	844	375	211	135
	foot candles (fc)	314	78	35	20	13
diameter (cm)		71	141	212	282	353
diameter (ft)		2.31	4.63	6.94	9.26	11.57

		mt 2 ft 6.56	mt 4 ft 13.12	mt 6 ft 19.68	mt 8 ft 26.25	mt 10 ft 32.81
COLORS (Full power)	lux center (lx)	1688	422	188	106	68
	foot candles (fc)	157	39	17	10	6
3200 K	lux center (lx)	1080	270	120	68	43
	foot candles (fc)	100	25	11	6	4
4000 K	lux center (lx)	1193	298	133	75	48
	foot candles (fc)	111	28	12	7	4
5600 K	lux center (lx)	1283	321	143	80	51
	foot candles (fc)	119	30	13	7	5
diameter (cm)		138	275	413	551	689
diameter (ft)		4.52	9.04	13.56	18.07	22.59

FEATURES



OPTIONALS

CERTIFICATIONS



CODE

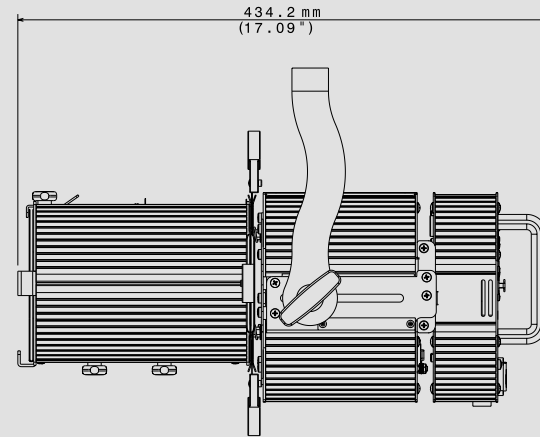
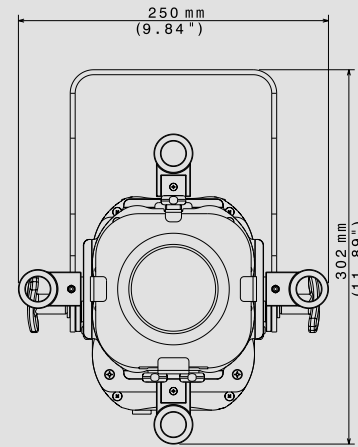
03.TP050.46



PROFILO LED 80



THE SMART LED-BASED PROFILE
AVAILABLE ALSO WITH RAIL-
MOUNTING ADAPTOR



TECHNICAL DATA

OUTPUT

- Single White 3000 K LED source
- CRI > 90
- Also available with 4000 K and 5000 K LED
- LED lifespan: 50,000 hours (70% lumen output)

OPTICAL GROUP

- 20° - 36° linear zoom
- High definition zoom lens with double optical condenser lens

GOBOS

- Gobo type M
- Ø external: 66 mm
- Ø of image: 48 mm
- Thickness: from 0.2 to 3 mm

CONTROL

- DMX 512 / RDM or Manual control
- Multi-function 4-digit 7-segment LED display + 4 soft keys
- Internal operating system updatable via DTS dongle firmware uploader

DMX

- 2 DMX channels (default)
- 3 DMX channels
- 1 DMX channel

POWER SUPPLY

- Electronic full-range 100-240Vac 50-60 Hz;
- Power consumption: 100 W max
- Power Factor: PF >0.95

CONNECTIONS

- Power supply: PowerCON In/Out panel connectors
- DMX: XLR 5-pole In/Out panel connectors

INTERNAL SAFETY DEVICES

- Overvoltage and overtemperature circuits protection

OPERATING TEMPERATURE

-10° / 40° C

PHYSICAL

- IP20
- Internal system with four removable shutters
- Yoke featuring an exclusive round flange + clutch system
- Weight: 6.3 Kg (13.9 lbs)
- Finishing: Black

ACCESSORIES INCLUDED

- 1 x PowerCON female cable connector (code 0520P014)
- 1 x XLR 5 pins male cable connector (code 0508B028)
- 1 x XLR 5 pins female cable connector (code 0508B027)
- 1 x Filterframe - Black finish - already mounted on the unit (code 02M00426.46)
- 4 x Shutter blades (single blade code 02SK0335)

ACCESSORIES ON REQUEST

- G50 "C" Clamp - max. Load 10 Kg (code 0521A012)
- G60 "C" Clamp - max. Load 50 Kg (code 0521A004)
- Gobo holder (code 03.TA224)
- Iris/diaphragm (code 03.TA223)
- Outdoor DMX cable 2 x 0,25 mm² - Flame retardant (code 0509C158)
- Safety cable - 3 x 600 mm - max. capacity load 30 Kg (code 0521A010)
- DTS dongle firmware uploader (code 03.LA.206)

ACCESSORIES FOR ELECTRIFIED RAIL MOUNTING

- Track adapter - black finishing (code 03.LA.235)

PHOTOMETRIC DATA

		mt 2 ft 6.56	mt 4 ft 13.12	mt 6 ft 19.68	mt 8 ft 26.25	mt 10 ft 32.81	
BEAM ANGLE 20°	3000 K	lux center (lx)	6552	1638	728	410	262
		foot candles fc	609	152	68	38	24
	4000 K	lux center (lx)	7445	1861	827	465	298
		foot candles fc	692	173	77	43	28
	5000 K	lux center (lx)	7445	1861	827	465	298
		foot candles fc	692	173	77	43	28
diameter (cm)		71	141	212	282	353	
diameter (ft)		2.31	4.63	6.94	9.26	11.57	
		mt 2 ft 6.56	mt 4 ft 13.12	mt 6 ft 19.68	mt 8 ft 26.25	mt 10 ft 32.81	
BEAM ANGLE 36°	3000 K	lux center (lx)	4528	1132	503	283	181
		foot candles fc	421	105	47	26	17
	4000 K	lux center (lx)	5470	1368	608	342	219
		foot candles fc	508	127	56	32	20
	5000 K	lux center (lx)	5470	1368	608	342	219
		foot candles fc	508	127	56	32	20
diameter (cm)		130	260	390	520	650	
diameter (ft)		4.26	8.53	12.79	17.06	21.32	

FEATURES



OPTIONALS

CERTIFICATIONS



CODES

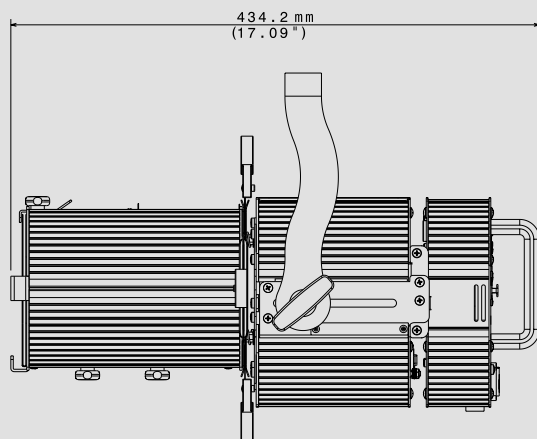
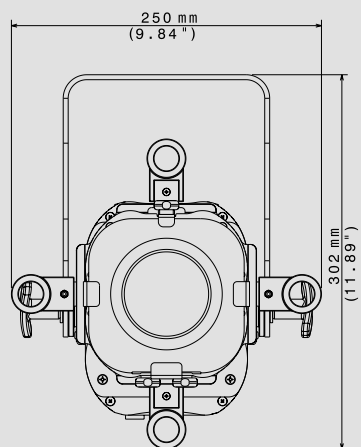
- 3000 K - 03.TP022.46
- 4000 K - 03.TP023.46
- 5000 K - 03.TP024.46



PROFILO LED 80 CT



THE SMART PROFILE WITH
SELECTABLE COLOR TEMPERATURE.
RAIL-MOUNTING ADAPTOR AVAILABLE



TECHNICAL DATA

OUTPUT

- Single White LED source with linearly tunable color temperature (2700 K - 6000 K)
- CRI > 80
- LED lifespan: 50,000 hours (70% lumen output)

OPTICAL GROUP

- 20° - 36° linear zoom
- High definition zoom lens with double optical condenser lens

GOBOS

- Gobo type M
- Ø external: 66 mm
- Ø of image: 48 mm
- Thickness: from 0.2 to 3 mm

CONTROL

- DMX 512 / RDM or Manual control
- Multi-function 4-digit 7-segment LED display + 4 soft keys
- Internal operating system updatable via DTS dongle firmware uploader

DMX

- 7 DMX channels (default)
- 2 DMX channels
- "CTC" mode

POWER SUPPLY

- Electronic full-range 100-240Vac 50-60 Hz;
- Power consumption: 100 W max
- Power Factor: PF >0.95

CONNECTIONS

- Power supply: PowerCON In/Out panel connectors
- DMX: XLR 5-pole In/Out panel connectors

INTERNAL SAFETY DEVICES

- Overvoltage and overtemperature circuits protection

OPERATING TEMPERATURE

-10° / 40° C

PHYSICAL

- IP20
- Internal system with four removable shutters
- Yoke featuring an exclusive round flange + clutch system
- Weight: 6.3 Kg (13.9 lbs)
- Finishing: Black

ACCESSORIES INCLUDED

- 1 x PowerCON female cable connector (code 0520P014)
- 1 x XLR 5 pins male cable connector (code 0508B028)
- 1 x XLR 5 pins female cable connector (code 0508B027)
- 1 x Filterframe - Black finish - already mounted on the unit (code 02M00426.46)
- 4 x Shutter blades (single blade code 02SK0335)

ACCESSORIES ON REQUEST

- G50 "C" Clamp - max. Load 10 Kg (code 0521A012)
- G60 "C" Clamp - max. Load 50 Kg (code 0521A004)
- Gobo holder (code 03.TA224)
- Iris/diaphragm (code 03.TA223)
- Outdoor DMX cable 2 x 0,25 mm² - Flame retardant (code 0509C158)
- Safety cable - 3 x 600 mm - max. capacity load 30 Kg (code 0521A010)
- DTS dongle firmware uploader (code 03.LA.206)

ACCESSORIES FOR ELECTRIFIED RAIL MOUNTING

- Track adapter - black finishing (code 03.LA.235)

PHOTOMETRIC DATA

	mt 2 ft 6.56	mt 4 ft 13.12	mt 6 ft 19.68	mt 8 ft 26.25	mt 10 ft 32.81
BEAM ANGLE 20° lux center (lx)	6360	1590	707	398	254
foot candles (fc)	591	148	66	37	24
diameter (cm)	71	141	212	282	353
diameter (ft)	2.31	4.63	6.94	9.26	11.57

	mt 2 ft 6.56	mt 4 ft 13.12	mt 6 ft 19.68	mt 8 ft 26.25	mt 10 ft 32.81
BEAM ANGLE 36° lux center (lx)	3944	986	438	247	158
foot candles (fc)	367	92	41	23	15
diameter (cm)	130	260	390	520	650
diameter (ft)	4.26	8.53	12.79	17.06	21.32

FEATURES



OPTIONALS

CERTIFICATIONS



CODE

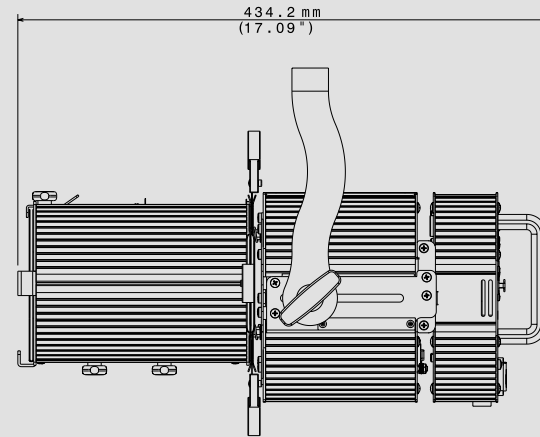
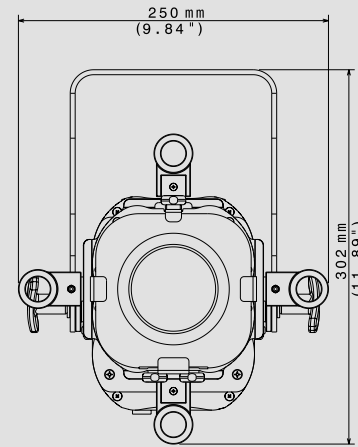
03.TP033.46



PROFILO LED 80 FC



THE SMART PROFILE WITH RGBW
COLOR MIXING. RAIL-MOUNTING
ADAPTOR AVAILABLE



TECHNICAL DATA

OUTPUT

- Single Full Color (RGBW) LED source
- LED lifespan: 50,000 hours (70% lumen output)

OPTICAL GROUP

- 20° - 36° linear zoom
- High definition zoom lens with double optical condenser lens

COLOR GENERATION

- 16 million colors
- Wide palette of pure uniform whites
- Variable linear color temperature (2700 K – 8000 K)

GOBOS

- Gobo type M
- Ø external: 66 mm
- Ø of image: 48 mm
- Thickness: from 0.2 to 3 mm

CONTROL

- DMX 512 / RDM control
- Multi-function 4-digit 7-segment LED display + 4 soft keys
- Internal operating system updatable via DTS dongle firmware uploader

DMX

- 10 DMX channels (default)

POWER SUPPLY

- Electronic full-range 100-240Vac 50-60 Hz;
- Power consumption: 100 W max
- Power Factor: PF >0.95

CONNECTIONS

- Power supply: PowerCON In/Out panel connectors
- DMX: XLR 5-pole In/Out panel connectors

INTERNAL SAFETY DEVICES

- Overvoltage and overtemperature circuits protection

OPERATING TEMPERATURE

-10° / 40° C

PHYSICAL

- IP20
- Internal system with four removable shutters
- Yoke featuring an exclusive round flange + clutch system
- Weight: 6.8 Kg (15 lbs)
- Finishing: Black

ACCESSORIES INCLUDED

- 1 x PowerCON female cable connector (code 0520P014)
- 1 x XLR 5 pins male cable connector (code 0508B028)
- 1 x XLR 5 pins female cable connector (code 0508B027)
- 1 x Filterframe - Black finish - already mounted on the unit (code 02M00426.46)
- 4 x Shutter blades (single blade code 02SK0335)

ACCESSORIES ON REQUEST

- G50 "C" Clamp - max. Load 10 Kg (code 0521A012)
- G60 "C" Clamp - max. Load 50 Kg (code 0521A004)
- Gobo holder (code 03.TA224)
- Iris/diaphragm (code 03.TA223)
- Outdoor DMX cable 2 x 0,25 mm² - Flame retardant (code 0509C158)
- Safety cable - 3 x 600 mm - max. capacity load 30 Kg (code 0521A010)
- DTS dongle firmware uploader (code 03.LA.206)

ACCESSORIES FOR ELECTRIFIED RAIL MOUNTING

- Track adapter - black finishing (code 03.LA.235)

PHOTOMETRIC DATA

	mt 2 ft 6.56	mt 4 ft 13.12	mt 6 ft 19.68	mt 8 ft 26.25	mt 10 ft 32.81
BEAM ANGLE 20°					
lux center (lx)	5784	1446	643	362	231
foot candles (fc)	538	134	60	34	22
diameter (cm)	71	141	212	282	353
diameter (ft)	2.31	4.63	6.94	9.26	11.57

	mt 2 ft 6.56	mt 4 ft 13.12	mt 6 ft 19.68	mt 8 ft 26.25	mt 10 ft 32.81
BEAM ANGLE 36°					
lux center (lx)	1592	398	177	100	64
foot candles (fc)	148	37	16	9	6
diameter (cm)	130	260	390	520	650
diameter (ft)	4.26	8.53	12.79	17.06	21.32

FEATURES



OPTIONALS

CERTIFICATIONS



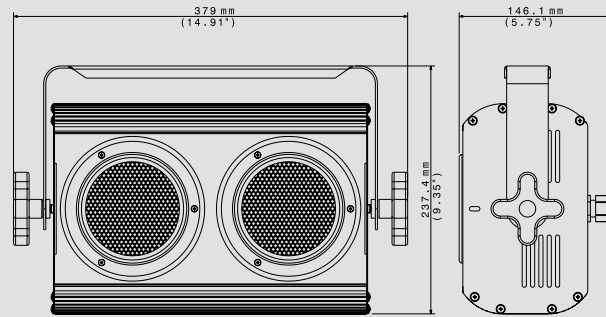
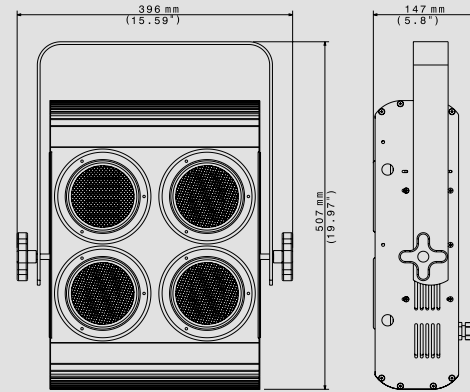
CODE

03.TP020.46





FLASH ARE THE IDEAL LIGHTS TO OBTAIN THE CLASSIC "BLINDING" EFFECT



TECHNICAL DATA

FLASH 2000 L 230V

OUTPUT

- 2 x PAR 36 650 W 120V lamps (not included) - Fix pairs

POWER SUPPLY

- Electronic range 180-240Vac 50-60 Hz
- Power consumption: 1300 W

CONNECTIONS

- Mains IN silicon cable

OPERATING TEMPERATURE

- 10° / 40° C

PHYSICAL

- IP20
- Weight: 2.8 Kg (6.2 lbs)
- Finishing: Black

FLASH 4000 FIX 230V

OUTPUT

- 4 x PAR 36 650 W 120V lamps (not included) - Fix pairs

POWER SUPPLY

- Electronic range 180-240Vac 50-60 Hz
- Power consumption: 2600 W

CONNECTIONS

- Mains IN silicon cable

OPERATING TEMPERATURE

- 10° / 40° C

PHYSICAL

- IP20
- Weight: 5.5 Kg (12.1 lbs)
- Finishing: Black

ACCESSORIES ON REQUEST

- Lamp PAR 36 650W 120V (code 0505PI01)
- G60 "C" Clamp max 50 kg (code 0521A004)
- G50 "C" Clamp max 10 kg (code 0521A012)
- Aliscaf clamp for tube diameter 50 mm - max. load 100 Kg (code 0521A008)
- Safety cable - 3 x 600 mm - max. capacity load 30 Kg (code 0521A010)

FEATURES



OPTIONALS

CERTIFICATIONS



CODES

FLASH 2000 L 230V - 03.E1173
FLASH 4000 FIX 230V - 03.E1170

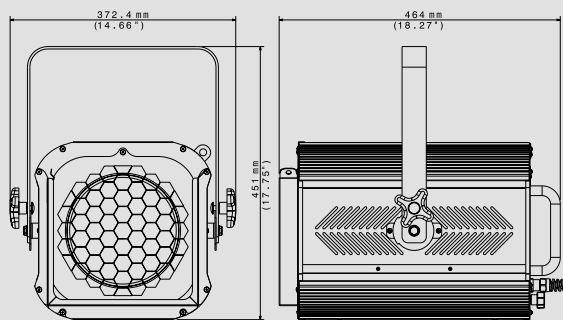


SCENA S

THE PROFESSIONAL
THEATRE LAMP PROJECTOR



SCENA S 2000



TECHNICAL DATA

OPTICAL GROUP

- Ø 200mm PC lens or Fresnel lens
- Focal adjustment with endless screws, giving precision movement on a triple track
- Spherical reflector in polished and treated 99.9% aluminium

LAMP HOLDER

- GY16

POWER SUPPLY

- Range 180-240Vac 50-60 Hz

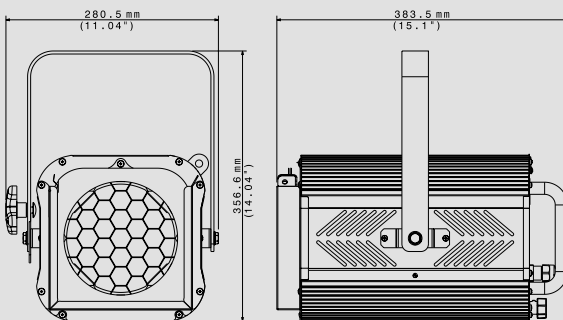
OPERATING TEMPERATURE:

- 10° / 40° C

PHYSICAL

- IP20
- Extremely strong housing with aluminium edge profiles.
- Yoke with round flange + clutch system
- Front and rear safety hooks
- Easy lens access for dismantling and cleaning
- Weight: 7.5 Kg (16.5 lbs)
- Finishing: Black

SCENA S 650/1000



TECHNICAL DATA

OPTICAL GROUP

- Ø 150mm PC lens or Fresnel lens
- Focal adjustment with endless screws, giving precision movement on a triple track
- Spherical reflector in polished and treated 99.9% aluminium

LAMP HOLDER

- GX9.5

POWER SUPPLY

- Range 180-240Vac 50-60 Hz

OPERATING TEMPERATURE:

- 10° / 40° C

PHYSICAL

- IP20
- Extremely strong housing with aluminium edge profiles.
- Yoke with round flange + clutch system
- Front and rear safety hooks
- Easy lens access for dismantling and cleaning
- Weight: 6 kg (13.2 lbs)
- Finishing: Black

PHOTOMETRIC DATA

	SCENA S 2000 PC	mt 5 ft 16.40	mt 10 ft 32.81	mt 15 ft 49.21	mt 20 ft 65.62	mt 25 ft 82.02
BEAM ANGLE 9°						
lux center (lx)	11200	2800	1244	700	448	
foot candles (fc)	1040,89	260,22	115,65	65,06	41,46	
diameter (cm)	0,79	1,57	2,36	3,15	3,94	
diameter (ft)	2,58	5,16	7,75	10,33	12,91	
BEAM ANGLE 50°						
lux center (lx)	910	228	101	57	36	
foot candles (fc)	84,57	21,14	9,40	5,29	3,38	
diameter (cm)	4,66	9,33	13,99	18,65	23,32	
diameter (ft)	15,30	30,60	45,90	61,19	76,49	

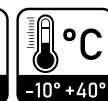
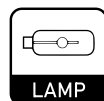
PHOTOMETRIC DATA

	SCENA S 1000 PC	mt 5 ft 16.40	mt 10 ft 32.81	mt 15 ft 49.21	mt 20 ft 65.62	mt 25 ft 82.02
BEAM ANGLE 10°						
lux center (lx)	5250	1313	583	328	210	
foot candles (fc)	487,92	121,98	54,21	30,49	19,52	
diameter (cm)	0,87	1,75	2,62	3,50	4,37	
diameter (ft)	2,87	5,74	8,61	11,48	14,35	
BEAM ANGLE 64°						
lux center (lx)	390	98	43	24	16	
foot candles (fc)	36,25	9,06	4,03	2,27	1,45	
diameter (cm)	6,25	12,50	18,75	24,99	31,24	
diameter (ft)	20,50	41,00	61,50	82,00	102,50	

	SCENA S 2000 FR	mt 5 ft 16.40	mt 10 ft 32.81	mt 15 ft 49.21	mt 20 ft 65.62	mt 25 ft 82.02
BEAM ANGLE 10°						
lux center (lx)	7600	1900	844	475	304	
foot candles (fc)	706,32	176,58	78,48	44,14	28,25	
diameter (cm)	0,87	1,75	2,62	3,50	4,37	
diameter (ft)	2,87	5,74	8,61	11,48	14,35	
BEAM ANGLE 55°						
lux center (lx)	800	200	89	50	32	
foot candles (fc)	74,35	18,59	8,26	4,65	2,97	
diameter (cm)	5,21	10,41	15,62	20,82	26,03	
diameter (ft)	17,08	34,16	51,24	68,31	85,39	

	SCENA S 1000 FR	mt 5 ft 16.40	mt 10 ft 32.81	mt 15 ft 49.21	mt 20 ft 65.62	mt 25 ft 82.02
BEAM ANGLE 13°						
lux center (lx)	4660	1165	518	291	186	
foot candles (fc)	433,09	108,27	48,12	27,07	17,32	
diameter (cm)	1,14	2,28	3,42	4,56	5,70	
diameter (ft)	3,74	7,48	11,21	14,95	18,69	
BEAM ANGLE 56°						
lux center (lx)	500	125	56	31	20	
foot candles (fc)	46,47	11,62	5,16	2,90	1,86	
diameter (cm)	5,32	10,63	15,95	21,27	26,59	
diameter (ft)	17,44	34,89	52,33	69,78	87,22	

FEATURES



OPTIONALS

CERTIFICATIONS



CODES

SCENA S 2000

FR - LENS FRESNEL - 03.TS013.F

PC - LENS ANTIHALO - 03.TS013.A

SCENA S 650/1000

FR - LENS FRESNEL - 03.TS012.F

PC - LENS ANTIHALO - 03.TS012.A

ACCESSORIES INCLUDED

- 1 x Filterframe Black finishing - already mounted on the unit

ACCESSORIES ON REQUEST

- G60 "C" Clamp max. 50kg (code 0521A004)
- G50 "C" Clamp max. 10kg (code 0521A012)
- Floor Stand max10kg (code 0521A013)
- Safety cable - 3 x 600 mm - max. capacity load 30 Kg (code 0521A010)

ONLY FOR SCENA S 2000

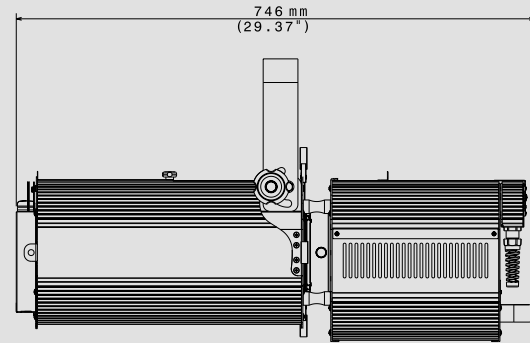
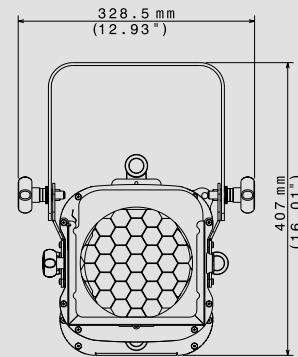
- Lamp 2000W GY16 CP72 (code 0505A014)
- Barndoor Black (code 03.TBD03)

ONLY FOR SCENA S 650/1000

- Lamp 1000W GX9,5 CP70 (code 0505A042)
- Lamp 650W GX9,5 CP23 (code 0505A007)
- Barndoor Black (code 03.TBD04)



THE CLASSIC PROFILE SPOT



TECHNICAL DATA

OPTICAL GROUP

- 2 Zoom ranges available: 18° ÷ 36° / 20° ÷ 50°
- High definition zoom lens with double optical condenser lens

LAMP HOLDER

- GX9.5

GOBOS

- Ø external: 86 mm
- Ø of image: 60 mm
- Gobo holder type B for image projection (optional)

IRIS

- Iris / diaphragm (optional)

POWER SUPPLY

- Range 180-240Vac 50-60 Hz

SAFETY

- Safety micro switches
- Frontal protection grille (removable)

OPERATING TEMPERATURE

- 10° / 40° C

PHYSICAL

- IP20
- Internal rotating system with four removable shutters
- Steel housing with aluminum edge profiles
- Removable cover for easy access to lamp
- Reversible yoke
- Weight: 14.8 kg (32.6 lbs)
- Finishing: Black

ACCESSORIES INCLUDED

- 1 x Filterframe - Black finish - already mounted on the unit (code 02M00421.46)
- 4 x Shutter blades (single blade code 02TP0007)

ACCESSORIES ON REQUEST

- Gobo Holder Type B (code 03.TA202)
- Iris/Diaphragm (code 03.TA201)
- G60 "C" Clamp max 50 kg (code 0521A004)
- Safety cable - 3 x 600 mm - max. capacity load 30 Kg (code 0521A010)
- Lamp 1000W GX9,5 CP70 (code 0505A042)

PHOTOMETRIC DATA

	mt 5 ft 16.40	mt 10 ft 32.81	mt 15 ft 49.21	mt 20 ft 65.62	mt 25 ft 82.02	
BEAM ANGLE 18°	lux center (lx)	2400	600	267	50	96
	foot candles (fc)	223	56	25	14	9
	diameter (cm)	158	317	475	634	792
	diameter (ft)	5.20	10.39	15.59	20.79	25.98
BEAM ANGLE 36°	lux center (lx)	760	190	84	48	30
	foot candles (fc)	71	18	8	4	3
	diameter (cm)	325	650	975	1300	1625
	diameter (ft)	10.66	21.32	31.98	42.64	53.30

FEATURES



OPTIONALS

CERTIFICATIONS



CODES

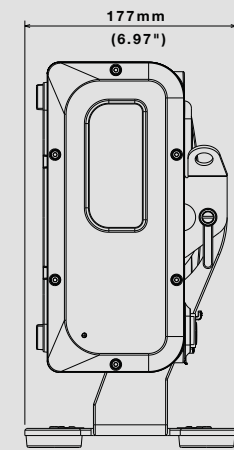
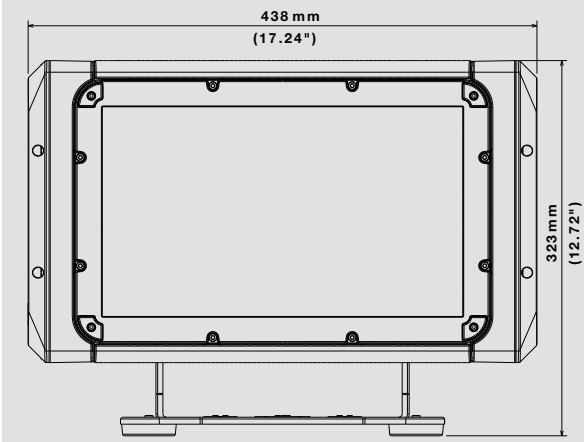
PROFILO 1000 Z 18°-36° - 03.TP001

PROFILO 1000 Z 20°-50° 03.TP008





HIGH POWER, COMPACT, SELF-CONTAINED IP65 LED WASH LIGHT, WITH INTERCHANGEABLE PROJECTION ANGLES



TECHNICAL DATA

OUTPUT

- 32 OSTAR STAGE "N" Full Color (RGBW) LEDs
- 15,300 Lumens output
- LED lifespan: 50,000 hours (70% lumen output)

OPTICAL GROUP

- 8° projection angle
- Range of quick-mounting holographic filters included: 20° / 40° / 60°x10° (no mounting tools required)
- Uniform projection on surfaces

COLOR GENERATION

- 16 million colors
- Wide palette of pure uniform whites
- Variable linear color temperature (2700 K – 8000 K)
- 16 gel filter emulations

CONTROL

- DMX 512 / RDM control
- Wireless DMX transmitter - receiver (built-in)
- LCD display + 4 capacitive touch keys
- Internal operating system updatable via DTS dongle firmware uploader

DMX - 9 DMX modes

- DMX FULL OPERATION MODES
 - 1.Chase mode (default)
 - 2.Extended mode
 - 3.Sectors RGBW x4
 - 4.Sectors RGBW fine x4
 - 5.Sectors RGBW + Shut + Dim x4
- DMX SINGLE LAYER MODES (compatibility with all BRICK models)
 6. Standard
 7. Global RGBW
 8. Global RGBW + Shut + Dim
 9. Global RGBW + Dim Fine

POWER SUPPLY

- Built-in full-range PSU 100-240Vac 50-60 Hz
- Power consumption: 650 W
- Power Factor: PF > 0.93

CONNECTIONS

- All connectors are IP65 rated with water-proof caps
- Power supply: PowerCon TRUE1 In/Out panel connectors
- DMX In/Out: XLR 5-pole In/Out panel connectors

INTERNAL SAFETY DEVICES

- Overvoltage and overtemperature circuits protection

OPERATING TEMPERATURE

-20° / 40° C

PHYSICAL

- IP65
- IK protection degree: IK09
- Weight: 14 Kg (31 lbs)
- Finishing: Black

ACCESSORIES INCLUDED

- 1 x Holographic filter 20° (code 0506A043.D18)
- 1 x Holographic filter 40° (code 0506A045.D18)
- 1 x Holographic filter 60°x10° (code 0506A092.D18)
- 1 x cable with PowerCON TRUE1 female connector (code 02K0012267.0015)
- 1 x XLR 5-pole IP65 female cable connector (code 0508B177)
- 1 x XLR 5-pole IP65 male cable connector (code 0508B178)
- 1 x Display UV protection (code 03.LA.218)
- 1 x Omega bracket with "Fast Lock" connection 1/4 turn (code 02K00467)

ACCESSORIES ON REQUEST

- Holographic filter (complete list in the accessories section)
- Barndoor black finishing (code 03.LA.237.11)
- Visor black finishing (code 03.LA.236.11)
- Aliscraf clamp for tube diameter 48-51 mm - max. load. 200 Kg (code 0521A033)
- G-QUICK clamp professional - max. load 100 Kg (code 0521A037)
- G60 "C" Clamp - Max load 50 Kg (code 0521A004)
- Flightcase for 4 units (code 0521C076)
- Outdoor DMX cable 2 x 0,25 mm² - Flame retardant (code 0509C158)
- Safety cable 5 x 600 mm - Max load 60 Kg (code 0521A038)
- DTS dongle firmware uploader (code 03.LA.206)

PHOTOMETRIC DATA

ULTRA-NARROW lenses

	mt 5 ft 16.40	mt 10 ft 32.81	mt 15 ft 49.21	mt 20 ft 65.62	mt 25 ft 82.02		mt 3 ft 9.84	mt 6 ft 19.68	mt 9 ft 29.53	mt 12 ft 39.37	mt 15 ft 49.21	
RED	6019	1505	669	376	241	lux center (lx)	2525	631	281	158	101	RED
	559	140	62	35	22	foot candles (fc)	235	59	26	15	9	
GREEN	11030	2758	1226	689	441	lux center (lx)	4506	1126	501	282	180	GREEN
	1025	256	114	64	41	foot candles (fc)	419	105	47	26	17	
BLUE	2600	650	289	163	104	lux center (lx)	858	215	95	54	34	BLUE
	242	60	27	15	10	foot candles (fc)	80	20	9	5	3	
WHITE	15670	3918	1741	979	627	lux center (lx)	6764	1691	752	423	271	WHITE
	1456	364	162	91	58	foot candles (fc)	629	157	70	39	25	
FULL RGBW	27100	6775	3011	1694	1084	lux center (lx)	11597	2899	1289	725	464	FULL RGBW
	2519	630	280	157	101	foot candles (fc)	1078	269	120	67	43	
BEAM ANGLE 8°	70	140	210	280	350	diameter (cm)	106	212	317	423	529	BEAM ANGLE 8°
	2.29	4.59	6.88	9.18	11.47	diameter (ft)	3.47	6.94	10.41	13.88	17.35	

ULTRA-NARROW lenses + 20° holo. filter

ULTRA-NARROW lenses + 40° holographic filter

	mt 2 ft 6.56	mt 4 ft 13.12	mt 6 ft 19.68	mt 8 ft 26.25	mt 10 ft 32.81		mt 2 ft 6.56	mt 4 ft 13.12	mt 6 ft 19.68	mt 8 ft 26.25	mt 10 ft 32.81	
RED	1368	342	152	86	55	lux center (lx)	3608	902	401	226	144	RED
	127	32	14	8	5	foot candles (fc)	335	84	37	21	13	
GREEN	2421	605	269	151	97	lux center (lx)	6164	1541	685	385	247	GREEN
	225	56	25	14	9	foot candles (fc)	573	143	64	36	23	
BLUE	509	127	57	32	20	lux center (lx)	1250	313	139	78	50	BLUE
	47	12	5	3	2	foot candles (fc)	116	29	13	7	5	
WHITE	3697	924	411	231	148	lux center (lx)	9500	2375	1056	594	380	WHITE
	344	86	38	21	14	foot candles (fc)	883	221	98	55	35	
FULL RGBW	6242	1560	694	390	250	lux center (lx)	16320	4080	1813	1020	653	FULL RGBW
	580	145	64	36	23	foot candles (fc)	1517	379	169	95	61	
BEAM ANGLE 40° X-axis	146	291	437	582	728	diameter (cm)	231	462	693	924	1155	BEAM ANGLE 40° X-axis
	4.78	9.55	14.33	19.11	23.88	diameter (ft)	7.58	15.15	22.73	30.31	37.88	
						diameter (cm)	35	70	105	140	175	BEAM ANGLE 40° Y-axis
						diameter (ft)	1.15	2.30	3.44	4.59	5.74	

CODE
03.LDB130S11FC

FEATURES

LED

Full Color

IP65

RDM/DMX

wireless DMX

IK09

-20° +40°

OPTIONALS

ACC

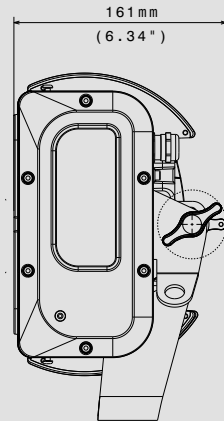
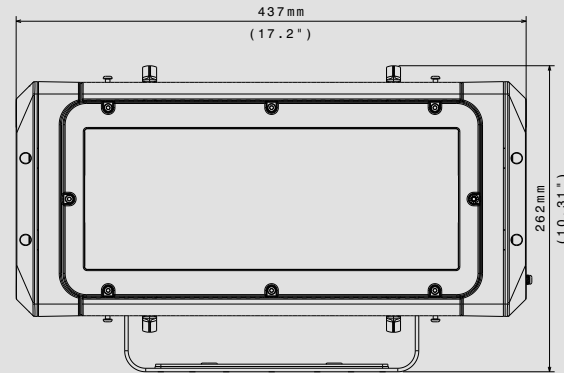
CERTIFICATIONS



BRICK



HIGH POWER, COMPACT, SELF-CONTAINED IP65 LED WASH LIGHT, WITH INTERCHANGEABLE PROJECTION ANGLES



TECHNICAL DATA

OUTPUT

- 24 OSTAR STAGE "N" Full Color (RGBW) LEDs
- LED lifespan: 50,000 hours (70% lumen output)

OPTICAL GROUP

- 8° projection angle
- Range of quick-mounting holographic filters included: 20° / 40° / 60°x10°
- (no mounting tools required)
- Uniform projection on surfaces

COLOR GENERATION

- 16 million colors
- Wide palette of pure uniform whites
- Variable linear color temperature (2700 K – 8000 K)

CONTROL

- DMX 512 / RDM control
- 4-digit 7-segment LED display + 4 soft keys
- Internal operating system updatable via DTS dongle firmware uploader

DMX

- 10 DMX channels (Default)

POWER SUPPLY

- Built-in full-range PSU 100-240Vac 50-60 Hz
- Power consumption: 400 W
- Power Factor: PF > 0.93

CONNECTIONS

- Power supply: 3 x 1 sq mm cable (1.5 m length)
- DMX In/Out: 0.7 m cable with XLR 5 pins IP65 connector

INTERNAL SAFETY DEVICES

- Overvoltage and overtemperature circuits protection

OPERATING TEMPERATURE

-20° / 45° C

PHYSICAL

- IP65
- IK protection degree: IK09
- Weight: 10 Kg (22 lbs)
- Finishing: Black
- Available on demand ACC version
- Anti-Corrosion Coating - which guarantees effective protection against corrosion

ACCESSORIES INCLUDED

- 1 x Holographic filter 20° (code 0506A043.D11)
- 1 x Holographic filter 40° (code 0506A045.D11)
- 1 x Holographic filter 60°x10° (code 0506A092.D11)
- 1 x PowerCON TRUE1 female cable connector (code 0520P066)
- 1 x PowerCON TRUE1 male cable connector (code 0520P067)
- 1 x Display UV protection (code 03.LA.218)
- 1 x Omega bracket with "Fast Lock" connection 1/4 turn (code 02K00467) – already mounted on the unit

ACCESSORIES ON REQUEST

- Lenses set Narrow 12° (code 03.LK.274.46)
- Lenses set Medium 28° (code 03.LK.275.46)
- Lenses set Wide 38° (code 03.LK.276.46)
- Holographic filter (complete list in the accessories section)
- Floor stand for ground installation (code 03.LA.213)
- Visor black finishing (code 03.LA.229.11)
- Visor black ACC version (code 03.LA. 229.14)
- Barndoor black finishing (code 03.LA.210)
- Permanent installation kit IP68: Power IN IP68 cable connector + 2 x DMX In/Out IP68 cable connectors (code 03.LA.214)
- G60 "C" Clamp - max load 50 Kg (code 0521A004)
- Aliscaf clamp for tube diameter 48-51 mm - max. load. 200 Kg (code 0521A033)
- G-QUICK clamp professional - max. load 100 Kg (code 0521A037)
- Flightcase for 6 units (code 0521C068)
- Outdoor DMX cable 2 x 0,25 mm² - Flame retardant (code 0509C158)
- Safety cable 5 x 600 mm - max capacity load 60 Kg (code 0521A038)
- DTS dongle firmware uploader (code 03.LA.206)

PHOTOMETRIC DATA

ULTRA-NARROW lenses						ULTRA-NARROW lenses + 20° holo. filter						
	mt 5 ft 16.40	mt 10 ft 32.81	mt 15 ft 49.21	mt 20 ft 65.62	mt 25 ft 82.02		mt 3 ft 9.84	mt 6 ft 19.68	mt 9 ft 29.53	mt 12 ft 39.37	mt 15 ft 49.21	
RED	4066	1017	452	254	163	lux center (lx)	1631	408	181	102	65	RED
	378	94	42	24	15	foot candles (fc)	152	38	17	9	6	
GREEN	6647	1662	739	415	266	lux center (lx)	3217	804	357	201	129	GREEN
	618	154	69	39	25	foot candles (fc)	299	75	33	19	12	
BLUE	545	136	61	34	22	lux center (lx)	267	67	30	17	11	BLUE
	51	13	6	3	2	foot candles (fc)	25	6	3	2	2	
WHITE	9940	2485	1104	621	398	lux center (lx)	3842	960	427	240	154	WHITE
	924	231	103	58	37	foot candles (fc)	357	89	40	22	14	
FULL RGBW	14277	3569	1586	892	571	lux center (lx)	6083	1521	676	380	243	FULL RGBW
	1327	332	147	83	53	foot candles (fc)	565	141	63	35	23	
BEAM ANGLE 8°	70	140	210	280	350	diameter (cm)	106	212	317	423	529	BEAM ANGLE 8°
	2.29	4.59	6.88	9.18	11.47	diameter (ft)	3.47	6.94	10.41	13.88	17.35	

ULTRA-NARROW lenses + 40° holographic filter						ULTRA-NARROW lenses + 60°x10° holo. filter						
	mt 2 ft 6.56	mt 4 ft 13.12	mt 6 ft 19.68	mt 8 ft 26.25	mt 10 ft 32.81		mt 2 ft 6.56	mt 4 ft 13.12	mt 6 ft 19.68	mt 8 ft 26.25	mt 10 ft 32.81	
RED	1231	308	137	77	49	lux center (lx)	2500	625	278	156	100	RED
	114	29	13	7	5	foot candles (fc)	232	58	26	15	9	
GREEN	2506	627	278	157	100	lux center (lx)	4781	1195	531	299	191	GREEN
	233	58	26	15	9	foot candles (fc)	444	111	49	28	18	
BLUE	200	50	22	13	8	lux center (lx)	400	100	44	25	16	BLUE
	19	5	2	2	2	foot candles (fc)	37	9	4	2	2	
WHITE	2981	745	331	186	119	lux center (lx)	6069	1517	674	379	243	WHITE
	277	69	31	17	11	foot candles (fc)	564	141	63	35	23	
FULL RGBW	4488	1122	499	280	180	lux center (lx)	9063	2266	1007	566	363	FULL RGBW
	417	104	46	26	17	foot candles (fc)	842	211	94	53	34	
BEAM ANGLE 40° X-axis	146	291	437	582	728	diameter (cm)	231	462	693	924	1155	BEAM ANGLE 40° X-axis
	4.78	9.55	14.33	19.11	23.88	diameter (ft)	7.58	15.15	22.73	30.31	37.88	
						diameter (cm)	35	70	105	140	175	BEAM ANGLE 40° Y-axis
						diameter (ft)	1.15	2.30	3.44	4.59	5.74	

FEATURES



OPTIONALS



CERTIFICATIONS



CODE

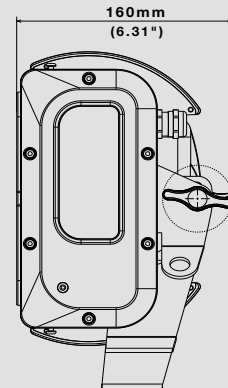
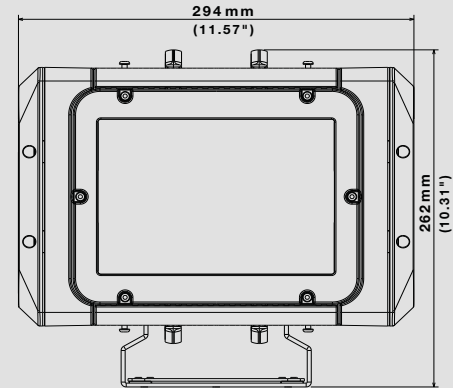
03.LDB100S11FC



MINI BRICK



EXTRA-COMPACT, SELF-CONTAINED
IP65 LED WASH LIGHT, WITH
INTERCHANGEABLE PROJECTION
ANGLES



TECHNICAL DATA

OUTPUT

- 12 OSTAR STAGE "N" Full Color (RGBW) LEDs
- LED lifespan: 50,000 hours (70% lumen output)

OPTICAL GROUP

- 8° projection angle
- Range of quick-mounting holographic filters included: 20° / 40° / 60°x10°
- (no mounting tools required)
- Uniform projection on surfaces

COLOR GENERATION

- 16 million colors
- Wide palette of pure uniform whites
- Variable linear color temperature (2700 K – 8000 K)

CONTROL

- DMX 512 / RDM control
- 4-digit 7-segment LED display + 4 soft keys
- Internal operating system updatable via DTS dongle firmware uploader

DMX

- 10 DMX channels (Default)

POWER SUPPLY

- Built-in full-range PSU 100-240Vac 50-60 Hz
- Power consumption: 200 W
- Power Factor: PF > 0.94

CONNECTIONS

- Power supply: 3 x 1 sq mm cable (1.5 m length)
- DMX In/Out: 0.7 m cable with XLR 5 pins IP65 connector

INTERNAL SAFETY DEVICES

- Overvoltage and overtemperature circuits protection

OPERATING TEMPERATURE

-20° / 45° C

PHYSICAL

- IP65
- IK protection degree: IK09
- Weight: 7 Kg (15.4 lbs)
- Finishing: Black
- Available on demand ACC version
- Anti-Corrosion Coating - which guarantees effective protection against corrosion

ACCESSORIES INCLUDED

- 1 x Holographic filter 20° (code 0506A043.D12)
- 1 x Holographic filter 40° (code 0506A045.D12)
- 1 x Holographic filter 60°x10° (code 0506A092.D12)
- 1 x PowerCON TRUE1 female cable connector (code 0520P066)
- 1 x PowerCON TRUE1 male cable connector (code 0520P067)
- 1 x Display UV protection (code 03.LA.218)
- 1 x Omega bracket with "Fast Lock" connection 1/4 turn (code 02K00467) – already mounted on the unit

ACCESSORIES ON REQUEST

- Lenses set Narrow 12° (code 03.LK.270.46)
- Lenses set Medium 28° (code 03.LK.271.46)
- Lenses set Wide 38° (code 03.LK.272.46)
- Holographic filter (complete list in the accessories section)
- Floor stand for ground installation (code 03.LA.213)
- Visor black finishing (code 03.LA.230.11)
- Visor black ACC version (code 03.LA.230.14)
- Barndoor black finishing (code 03.LA.211)
- Permanent installation kit IP68: Power IN IP68 cable connector + 2 x DMX In/Out IP68 cable connectors (code 03.LA.214)
- G60 "C" Clamp - max load 50 Kg (code 0521A004)
- Aliscat clamp for tube diameter 48-51 mm - max. load. 200 Kg (code 0521A033)
- G-QUICK clamp professional - max. load 100 Kg (code 0521A037)
- Outdoor DMX cable 2 x 0,25 mm² - Flame retardant (code 0509C158)
- Safety cable 5 x 600 mm - max capacity load 60 Kg (code 0521A038)
- DTS dongle firmware uploader (code 03.LA.206)

PHOTOMETRIC DATA

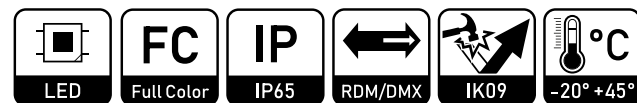
ULTRA-NARROW lenses

	ULTRA-NARROW lenses						ULTRA-NARROW lenses + 20° holo. filter					
	mt 5 ft 16.40	mt 10 ft 32.81	mt 15 ft 49.21	mt 20 ft 65.62	mt 25 ft 82.02		mt 3 ft 9.84	mt 6 ft 19.68	mt 9 ft 29.53	mt 12 ft 39.37	mt 15 ft 49.21	
RED	2384	596	265	149	95	lux center (lx)	812	203	90	51	32	RED
	222	55	25	14	9	foot candles (fc)	75	19	8	5	3	
GREEN	4310	1078	479	269	172	lux center (lx)	1605	401	178	100	64	GREEN
	401	100	45	25	16	foot candles (fc)	149	37	17	9	6	
BLUE	315	79	35	20	13	lux center (lx)	130	33	14	8	5	BLUE
	29	7	3	2	1	foot candles (fc)	12	3	2	2	1	
WHITE	5282	1321	587	330	211	lux center (lx)	1918	480	213	120	77	WHITE
	491	123	55	31	20	foot candles (fc)	178	45	20	11	7	
FULL RGBW	6767	1692	752	423	271	lux center (lx)	3038	760	338	190	122	FULL RGBW
	629	157	70	39	25	foot candles (fc)	282	71	31	18	11	
BEAM ANGLE 8°	70	140	210	280	350	diameter (cm)	106	212	317	423	529	BEAM ANGLE 8°
	2.29	4.59	6.88	9.18	11.47	diameter (ft)	3.47	6.94	10.41	13.88	17.35	

ULTRA-NARROW lenses + 40° holographic filter

	ULTRA-NARROW lenses + 40° holographic filter						ULTRA-NARROW lenses + 60°x10° holo. filter					
	mt 2 ft 6.56	mt 4 ft 13.12	mt 6 ft 19.68	mt 8 ft 26.25	mt 10 ft 32.81		mt 2 ft 6.56	mt 4 ft 13.12	mt 6 ft 19.68	mt 8 ft 26.25	mt 10 ft 32.81	
RED	612	153	68	38	24	lux center (lx)	1247	312	139	78	50	RED
	57	14	6	4	2	foot candles (fc)	116	29	13	7	5	
GREEN	1250	313	139	78	50	lux center (lx)	2387	597	265	149	95	GREEN
	116	29	13	7	5	foot candles (fc)	222	55	25	14	9	
BLUE	97	24	11	6	4	lux center (lx)	197	49	22	12	8	BLUE
	9	2	2	2	1	foot candles (fc)	18	5	2	2	2	
WHITE	1487	372	165	93	59	lux center (lx)	3030	758	337	189	121	WHITE
	138	35	15	9	6	foot candles (fc)	282	70	31	18	11	
FULL RGBW	2240	560	249	140	90	lux center (lx)	4527	1132	503	283	181	FULL RGBW
	208	52	23	13	8	foot candles (fc)	421	105	47	26	17	
BEAM ANGLE 40°	146	291	437	582	728	diameter (cm)	231	462	693	924	1155	BEAM ANGLE 40° X-axis
	4.78	9.55	14.33	19.11	23.88	diameter (ft)	7.58	15.15	22.73	30.31	37.88	
						diameter (cm)	35	70	105	140	175	BEAM ANGLE 40° Y-axis
						diameter (ft)	1.15	2.30	3.44	4.59	5.74	

FEATURES



OPTIONALS



CODE

03.LDB120S11FC

CERTIFICATIONS







STICK DE3



WALL MOUNTING DMX CONTROLLER KEYPAD



The feature-rich STICK-DE3 has been designed to provide an ergonomic easy to manage control for the most demanding lighting installations.

Flat wall mounted lighting controller, state of the art design and technology Ideal for LED, RGB and DMX lighting.

The controller integrates a graphical color display allowing scene photos to be displayed. Easily view the selected zone, scene name and design without the need to navigate through complex menus.

CONTROL

- DMX 512 protocol
- Graphic color display + touch wheel and keys
- Programming via Pc, Mac, tablet, smarthphone
- MicroSD memory

CONNECTIONS

- USB, Ethernet, RS232, 8 Dry contact ports and IR Input port

CONNECTIONS

- IP20
- Dimensions: 146 x 106 x x 11 mm
- Weight: 247 g (0.55 lbs)
- Finishing: black

CODE

03.LA.152

FEATURES



OPTIONALS

CERTIFICATIONS



DMX CONTROLLER INTERFACE



DMX MASTER SOFTWARE 4 is a DMX light control software for PC (Windows / Mac), supplied bundled with the DMX 512 IN / OUT V.4 interface. Easy to program thanks to a rich graphic interface. Convenient for all kinds of performances; the easiest software (New Version V.4) for show programming.

CONTROL

- Management of lighting groups and fixtures functions

PROGRAMABILITY

- Automatic change of lightings address
- Unlimited scenes, programs, steps, series, sequences and effects
- Virtual scenes; Scenes generator
- Big fixtures internal library *Musical synchronization available (BPM, MP3, WAV and Audio In)
- Compatible with all DMX projectors
- Compatible USB 1 and 2
- 1024 DMX channels / 512 DMX channels out in Stand alone mode
- Internal storage and 2 buttons to choose scenes in Stand-alone mode
- Connection HE10, to play scenes and effects using an external controller
- The software can control up to 6 Box interfaces contemporarely.

MASTER SOFTWARE 4



CODE

03.E1331

FEATURES



OPTIONALS

CERTIFICATIONS





DISTRIBUTOR / AMPLIFIER OF DMX SIGNALS

SPLITTER DMX PRO is a fully optically and galvanically isolated 6-way DMX splitter with real-time DMX line test. The unit is also available as SPLITTER DMX version (only optically isolated).
SPLITTER DMX PRO lets you obtain the best of any DMX chain: the incoming DMX signal is optically and galvanically isolated to fully protect the control desk, amplified, and re-transmitted to the 6 DMX Outs. This way you can safely connect up to 192 DMX units (up to 32 for each DMX Out) to a 1,000 meters max distance.

CONTROL

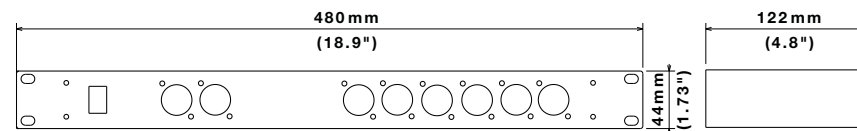
- 1 DMX In / 6 independent DMX Outs
- DMX inputs and outputs with 5-pole XRL connectors by Neutrik
- Power supply 180-240Vac 50-60 Hz

SAFETY

- DMX overvoltage circuit protection
- Opto-isolated DMX channels
- Status LEDs: LED indicator of device power ON
- Mains input protection fuse

PHYSICS

- IP20
- 1U Rack mountable
- Weight: 2.3 Kg (5 lbs)



FEATURES



OPTIONALS

CERTIFICATIONS



CODE

0521S016

PROFESSIONAL DIMMERS



DPU 1213 is a 3-phase 380V 50Hz professional dimmers for SCENA S line and PROFILO line. The unit is controllable either manually or via DMX with 12-channel dimmer pack for resistance or induction loads.

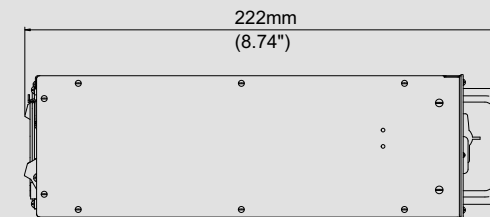
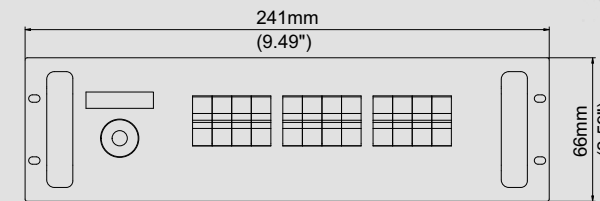
MAX CURRENT OUTPUT
 13A per channel

POWER SUPPLY

- 3-phase 380V 50Hz
- Dimensions 3U rack units

PHYSICS

- IP20
- Weight: 15.2 Kg (33.5 lbs)



FEATURES



OPTIONALS

CERTIFICATIONS



DPU 1213



CODE

03.DC006



**BARNDOOR
03.TBD03**Barndoor
• SCENA S 2000**BARNDOOR
03.TBD04**Barndoor
• SCENA S 650/1000
• SCENA LED 200 series**BARNDOOR
03.TBD01**Barndoor
• SCENA S 300/500**BARNDOOR
03.TA206**Barndoor
• SCENA LED 80 series
• SCENA LED 120 HQS**BARNDOOR
03.LA.142**

Barndoor and Holographic Filter holder

• FOS 100 series
(3 Kits needed)**BARNDOOR
02M09594.46**

Single-side light shield

• FOS 100 series

**BARNDOOR
03.LA.237.11**Barndoor
• X BRICK**BARNDOOR
03.LA.210**Barndoor
• BRICK**BARNDOOR
03.LA.211**Barndoor
• MINI BRICK**BLADE
02SK0429**

Shutter blade

• PROFILO LED 200 series

**CLAMP & BRACKET
02K00467**

OMEGA BRACKET with "Fast Lock" connection 1/4 turn

• FOS (if used with 03.LA.024)

**CLAMP & BRACKET
03.LA.024**FAST-LOCK BRACKET KIT FOS
*included 2 pcs Brackets + its fixing plate
*Short bracket kit for wall or floor fixed installation

• FOS 100 series (3 pcs needed)

**CLAMP & BRACKET
0521A033**ALISCAF clamp with Fast-Lock system *Certified Max. Load 200 Kg (440 lbs)
*For Ø50mm (2") tubes

INDICATED FOR VERTICAL AND HORIZONTAL LOAD

• MOVING HEADS
• BRICK series**CLAMP & BRACKET
0521A037**G-QUICK clamp Professional Max. load 100 Kg (220 lbs)
*Professional high-quality clamp *Included with M12 bolt & wingnut
*Min/Mas tube size 38/51 mm (1.49/2")

NOT INDICATED FOR HORIZONTAL LOAD

• MOVING HEADS - DTS OMEGA CLAMP needed (code 02K00549)
• KATANA
• FOS series
• BRICK series**CLAMP & BRACKET
0521A004**

G60 "C" Clamp *Max. load 50 Kg (110 lbs) *For Ø50 mm (2") tubes

NOT INDICATED FOR HORIZONTAL LOAD

• FOS series (2 pieces needed)
• SCENA LED 80 /120 / 200 series
• SCENA S series
• PROFILO LED 120 HQS
• PROFILO LED 80 / 200 series
• PROFILO series
• FLASH series
• BRICK series**CLAMP & BRACKET
0521A012**G50 "C" Clamp *Max. load 10 Kg (22 lbs) *For Ø50 mm (2") tubes
NOT INDICATED FOR HORIZONTAL LOAD• SCENA LED 120 HQS
• SCENA LED 80 series
• SCENA S
• PROFILO LED 120 HQS
• PROFILO LED 80 series
• PROFILO
• FLASH series**CLAMP & BRACKET
03.LA.025**

Short bracket for wall installation

• FOS 100 series (2 pcs needed)

**CLAMP & BRACKET
02SK0382**

Fos 100 line jointing truss Kit

• FOS 100

**CONNECTIONS KITS
03.LA.216**Permanent Installation KIT IP68
2 POWER + 2 DMX

• FOS 100 SOLO IP65 series

**DMX CABLE
0509C158**Outdoor DMX cable 2 x 0,25 mm² - Flame retardant

• All DMX fixtures

**CONNECTIONS KITS
03.LA.214**Permanent Installation KIT IP68
1 POWER + 2 DMX• BRICK
• MINI BRICK**FIRMWARE UPLOADER
DTS DONGLE
03.LA.206**

• All DMX fixtures

**FLIGHTCASE
0521C073**2 Units Flightcase
• Without protective foam shell
• Measures: 118x60x105 cm;
55 Kg• SYNERGY 5 PROFILE
• SYNERGY 5 SPOT**FLIGHTCASE
0521C065.2**2 Units Flightcase
*Dimensions: 86x64x85 cm *43 Kg
(33.8x25.2x33.5 inch *94.8 lbs)• EVO
• CORE**FLIGHTCASE
0521C060.1**2 Units Flightcase
*Dimensions: 86x64x85 cm *43 Kg
(33.8x25.2x33.5 inch *94.8 lbs)

• MAX L

**FLIGHTCASE
0521C059.1**4 Units Flightcase
*Dimensions: 86 x 76 x 150 cm;
42 Kg
(33.9x30x59 inch *92.6 lbs)

• RAPTOR

**FLIGHTCASE
0521C078**2 Units Flightcase
• Without protective foam shell
• Measures: 120x60x83 cm;
50 Kg
(47.2x23.6x32.7 inch *110 lbs)

• ALCHEMY 5

**FLIGHTCASE
0521C059.1**4 Units Flightcase
*Dimensions: 86x73x79 cm *42 Kg
(33.8x28.7x31.1 inch *92.6 lbs)

• NICK NRG 1401

**FLIGHTCASE
0521C066**3 Units Flightcase
*Dimensions: 86x85x63 cm *43 Kg
(33.9x33.5x24.8 inch *94.8 lbs)

• KATANA

**FLIGHTCASE
0521C069**4 Units Flightcase
*Dimensions: 105 x 61.5 x 21 cm
*33 kg (41.3x24.2x8.2 inch *72.8 lbs) *with Recessed Wheels• FOS 100 POWER SOLO
• FOS 100 DYNAMIC SOLO
• FOS 100 SOLO**FLIGHTCASE
0521C076**4 Units Flightcase
*Dimensions: 84.5 x 76 x 56 cm
*38 kg (33.3 x 29.9 x 22 inch *83.8 lbs)

• X BRICK

**FLIGHTCASE
0521C068**6 Units Flightcase
*Dimensions: 118 x 76 x 54 cm
*47 kg (46.5 x 29.9 x 21.6 inch *103.6 lbs)

• BRICK

**FLIGHTCASE
0521C075**6 Units Flightcase
*Dimensions: 60 x 120 x 73 cm
(23.6 x 47.2 x 28.7 inch)

• SCENA LED 200 series

**FLOOR-STAND BLACK
03.LA.213**

FLOOR STAND

• BRICK
• MINI BRICK



FLOOR-STAND BLACK 0521A013

FLOOR STAND *max. load 10 Kg (22 lbs)

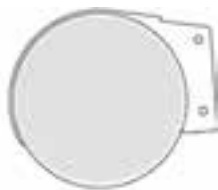
- CONVENTIONAL LAMP PROJECTORS



GOBO HOLDER 03.TA224

Gobo holder Type M *Gobo size: 66mm (ext.), 48mm (figure)
*Max Gobo thickness allowed 3 mm (0.12") *Suitable for Metal / Dichroic gobos

- PROFILO LED 120 HQS
- PROFILO LED 80 series



FROST FILTER

02SK0428
Medium frost filter

02SK0430
Heavy frost filter

- SYNERGY 5 PROFILE
- SYNERGY 5 SPOT



GOBO HOLDER 03.TA202

Gobo holder Type B *Gobo Size: ext. 86 mm (3.4") - figure 60 mm (2.4")
*Max Gobo thickness 4 mm (0.15")
* Suitable for Metal / Dichroic gobos

- PROFILO 1000



GOBO HOLDER 03.TA226

Gobo type B metal or glass
*Ø external: 86 mm *Ø of image: 60 mm *Thickness: from 0,2 to 2 mm

- PROFILO LED 200 series



HOLOGRAPHIC FILTER

0506A101.D18 *10° TAGL.D18
0506A103.D18 *60° TAGL.D18
0506A119.D18 *60°x30° T.D18
0506A121.D18 *80° TAGL.D18

- X BRICK



HOLOGRAPHIC FILTER

0506A101.D11 *10° TAGL.D11
0506A103.D11 *60° TAGL.D11
0506A119.D11 *60°x30° T.D11
0506A121.D11 *80° TAGL.D11

- BRICK



HOLOGRAPHIC FILTER

0506A101.D12 *10° TAGL.D12
0506A103.D12 *60° TAGL.D12
0506A119.D12 *60°x30° T.D12
0506A121.D12 *80° TAGL.D12

- MINI BRICK



HOLOGRAPHIC FILTER

(More beam angles available on demand)

Holographic Filter

0506A092.D1 *60°HX15°V
0506A093.D1 *40°HX15°V
0506A094.D1 *90°HX25°V
0506A102.D1 *30°HX15°V
0506A103.D1 *60°
0506A104.D1 *80°

- FOS 100 and FOS 100 DYNAMIC (3 pcs needed)
To be used with barndoor 03.LA.142 Mount SPOT lenses to obtain the best result



HOLOGRAPHIC FILTER

(More beam angles available on demand)

Holographic Filter

0506A092.D2 *60°HX15°V
0506A093.D2 *40°HX15°V
0506A094.D2 *90°HX25°V
0506A102.D2 *30°HX15°V
0506A103.D2 *60°
0506A104.D2 *80°

- FOS 100 POWER (2 pcs needed)
To be used with barndoor 03.LA.142 Mount SPOT lenses to obtain the best result



INSTALLATION KITS 03.LA.023

Kit fit joint for joining bars inline

- FOS 100 series



IRIS 03.TA225

Iris Diaphragm

- PROFILO LED 200 series



IRIS 03.TA223

Iris Diaphragm

- PROFILO LED 120 HQS
- PROFILO LED 80 series



IRIS 03.TA201

Iris Diaphragm

- PROFILO 1000



KIT LENS

03.LK.107.N NARROW 10°
03.LK.108.N MEDIUM 25°
03.LK.109.N WIDE 40°

Kit Lens

- FOS 100 POWER (2 pcs needed)



KIT LENS

03.LK.060.N NARROW 10°
03.LK.061.N MEDIUM 25°
03.LK.062.N WIDE 40°

Kit Lens (3 pcs needed)

- FOS 100 DYNAMIC
- FOS 100



KIT LENS

03.LK.274.46 NARROW 12°
03.LK.275.46 MEDIUM 28°
03.LK.276.46 WIDE 38°

Kit Lens

- BRICK



KIT LENS

03.LK.270.46 NARROW 12°
03.LK.271.46 MEDIUM 28°
03.LK.272.46 WIDE 38°

Kit Lens

- MINI BRICK



LAMP 0505S037

Lamp 330 W SIRIUS HRI

- RAPTOR



LAMP 0505S036

Lamp MSD PLATINUM 16R 330 W

- MAX L



LAMP 0505A042

Lamp 1000 W 230V GX9,5 *CP70
*PHILIPS *Halogen

- SCENA S 650/1000
- PROFILO 1000



LAMP 0505A007

Lamp 650 W 230V GX9,5 *CP23
*OSRAM *Halogen

- SCENA S 650/1000



LAMP 0505S039

Lamp 440 W SIRIUS HRI

- EVO
- CORE



LAMP 0505A014

Lamp 2000 W 230V GY16 *CP72
*PHILIPS *Halogen

- SCENA S 2000



LAMP 0505P101

Lamp PAR 36 650W 120V PAR 36 *GE

- FLASH 2000L
- FLASH 4000



SAFETY CABLE 0521A010

Safety Cable (3 x 600 mm) *Ring spring catch *Lifting power 30 Kg (132 lbs)

- All products ≤ 30 Kg



SAFETY CABLE 0521A038

Safety Cable (5 x 600 mm) *Ring spring catch *Lifting power 60 Kg (132 lbs)

- All products ≤ 60 Kg



VISOR

03.LA.229.11
VISOR *Black finishing

03.LA.229.14
VISOR *Black finishing
ACC version

- BRICK



VISOR

03.LA.230.11
VISOR *Black finishing

03.LA.230.14
VISOR *Black finishing
ACC version

- MINI BRICK



VISOR

03.LA.236.11
VISOR *Black finishing

- X BRICK

**ITALIAN
PROFESSIONAL
LIGHTING**

D.T.S. Illuminazione S.r.l.
via Fagnano Selve, 12/14
47843 Misano adriatico (RN) Italy
+39 0541 611131
www.dts.lighting

All specifications subject to change without notice