



ROBERT JULIAT



**UNCOMPROMISING QUALITY
SINCE 1919**

ROBERT JULIAT IS THE PROUD SUPPLIER OF : LONDON COVENT GARDEN OPERA HOUSE - NEW YORK METROPOLITAN THEATRE "THE MET" - PARIS BASTILLE OPERA HOUSE - DRESDEN SEMPER OPER, GERMANY - PARIS PALAIS GARNIER OPERA HOUSE - SINGAPORE ESPLANADE, THEATRES ON THE BAY - HONG KONG BALLET - PARIS COMEDIE FRANÇAISE THEATRE - GENEVA GRAND THEATRE, SWITZERLAND - NEW YORK CARNEGIE HALL - SAINT-PETERSBURG KIROV-MARIINSKY BALLET AND OPERA - TEATRO REAL MADRID, SPAIN - OPERAEN, COPENHAGEN OPERA HOUSE, DENMARK - ORIENTAL ARTS CENTRE, SHANGHAI - ATHENS MEGARON CONCERT HALL, GREECE - MÜNCHNER KAMMERSPIELE, GERMANY - MONACO GRIMALDI CONGRESS CENTRE - ANTIGUA CATEDRAL DE SANTIAGO DE MANAGUA, NICARAGUA - RIGA NATIONAL OPERA HOUSE, LATVIA - LONDON ROYAL NATIONAL THEATRE - CLUB MEDITERRANEE HOLIDAY RESORTS - PARIS NOTRE-DAME CATHEDRAL - YALE UNIVERSITY, USA - PALACIO DE BELLAS ARTES, MEXICO - MOHAMMED V THEATRE RABAT, MOROCCO - MILANO TEATRO ALLA SCALA, ITALY - BEIJING NATIONAL CENTRE FOR THE PERFORMING ARTS - PARIS MOULIN ROUGE CABARET - NEW YORK LINCOLN CENTRE - AUCKLAND BRUCE MASON THEATRE, NEW ZEALAND - WORLD TRADE CENTRE, BAHREIN - BROADWAY AND WEST END SHOWS - THEATRE DE LA MONNAIE, BRUSSELS, BELGIUM - SAN FRANCISCO OPERA HOUSE - BALLETS BEJART LAUSANNE, SWITZERLAND - LONDON ROYAL ALBERT HALL - PARIS, MILAN, NEW-YORK FASHION WEEKS - DAEJEON CULTURE HALL, KOREA - BBC STUDIOS, UK - BERLIN DEUTSCHE STAATSOPER, GERMANY -



DURBAN PLAYHOUSE, SOUTH AFRICA - EUROVISION SONG CONTESTS - VENICE TEATRO LA FENICE, ITALY - BEIRUT THEATRE, LEBANON - TOKYO NEW NATIONAL THEATRE - MOSCOW BOLCHOÏ BALLET - PALAU DE LES ARTS REINA SOFIA, VALENCIA, SPAIN - HOLIDAY ON ICE TOURS - ISAAC THEATRE ROYAL CHRISTCHURCH, NEW ZEALAND - NATIONAL THEATRE BUCHAREST, ROMANIA - ANDRE RIEU WORLD STADIUM TOUR - PRAGUE STATE OPERA, CZECH REPUBLIC - CAMBRIDGE NATIONAL THEATRE - AMSTERDAM MUZIEKTHEATER, THE NETHERLANDS - BUDAPEST NATIONAL THEATRE, HUNGARY - P&O CRUISES - MONACO MONTE-CARLO GRAND CASINO - PARIS LOUVRE MUSEUM - NEPAL AMERICAN SCHOOL - TEATRO EL NACIONAL, BUENOS AIRES, ARGENTINA - BOSTON SYMPHONIC ORCHESTRA - BAYREUTH GRAND THEATRE, GERMANY - OSLO OPERA HOUSE, NORWAY - THE FRENCH NATIONAL ASSEMBLY - CINCINNATI OPERA HOUSE, USA - BRUCE SPRINGSTEEN WORLD TOUR - PICCOLO TEATRO DI MILANO, ITALY - UNESCO HEADQUARTERS, PARIS - HELLENIC FESTIVAL, GREECE - DANISH TELEVISION - PLACE DES ARTS, MONTREAL, CANADA - LAS VEGAS COLOSSEUM - MACAU ARTS CENTRE - BARCELONA GRAN TEATRO DEL LICEO - SAN DIEGO SEA WORLD - SPLIT CROATIAN NATIONAL THEATRE, CROATIA - DET KONGELIGE TEATER, COPENHAGEN, DENMARK - CANNES FILM FESTIVAL PALACE, FRANCE - LONDON ENGLISH NATIONAL OPERA - CELINE DION - RTL TV GROUP - BELGRADE THEATRE, SERBIA - TEATRO MUNICIPALE DI PIACENZA, ITALY - LISBON DONA MARIA II NATIONAL THEATRE, PORTUGAL - CASTLE OF VERSAILLES, FRANCE - BANGKOK CENTRAL WORLD PLAZA, THAILAND - PYOTR FOMENKO THEATRE, MOSCOW, RUSSIA



ROBERT JULIAT:

INNOVATION THROUGH EXPERIENCE



Robert JULIAT
CEO from 1919 to 1972



Jean-Charles JULIAT
CEO from 1972 to 2008



François JULIAT
MD since 2008

The heritage of Robert Juliat is one of which we are very proud. Founded in 1919 by my grandfather, Robert, our company is the oldest manufacturer of theatre lighting equipment still in existence. Continuing in the tradition of my great-grandfather, Jean JULIAT, who worked as technical assistant to George MELIES, creator of the first visual effects in movie history, we have always made it our policy to innovate rather than re-create with our designs. Past Robert Juliat innovations, such as the first HMI followspots, have since been adopted by other manufacturers.

Throughout our long history of creating breakthrough products, Robert Juliat has always had a practical purpose in mind. New technology is only worth developing if it answers the needs of our customers. By customers I do not mean only lighting designers but also the technicians who work with our luminaires. Listening to our customers' opinions is a key part of our success. We combine their views with our passion for lighting to produce the finest lanterns in the world, designing our fixtures as much for ergonomic perfection as for optical and mechanical excellence.

We take seriously the label 'Fabriqué en France'. All our products are made in France to enable us to closely monitor and maintain our quality standards. But more than this, it reflects the emphasis we place on adding value through innovation, allowing us to react quickly to market demand and customer feedback.

At Robert Juliat, we understand what it takes to make the customer happy. From the moment they consider our lanterns, throughout the working life of each fixture, we devote our energy to winning, and deserving, their confidence in our products and our service.

We are proud of our history, our experience, our innovation and our ability to develop with the times. We look forward to continuing to provide you with the lighting products you want in the future.

François JULIAT,
Managing Director



1919 The Beginning

Robert JULIAT, the man, founds a company designing and manufacturing lighting and projection equipment for cinemas.

1920 – 1960 Cinema Lighting

Robert Juliat produces carbon arc projectors for cinema, manufacturing every component involved. A tradition of live entertainment in front of the cinema screen before each film highlights a need for a different style of lighting.

Robert JULIAT responds by creating and supplying purpose-built lighting fixtures and has been the forerunner of single lens lanterns design since 1923, when its first plano-convex lantern was released.

1960's Theatrical Lighting

Robert Juliat carbon arc projectors continue to be supplied to cinemas throughout the '60s. Jean-Charles JULIAT, who joined the team, broadens the company horizons, working on 'son et lumiere' productions and steers the company towards the development of stage lighting.

1972 Robert Juliat SA

Jean-Charles JULIAT becomes company manager and the status of the firm are changed to "Robert Juliat SA".



1976 First HMI Followspot

Robert Juliat introduces the first HMI followspot with integrated PSU, the 575 W Pixie, and thereby introduces a concept adopted since by other manufacturers.

1990 First DMX-Controlled Profiles and Followspots

In an industry first, DMX dimmer control is introduced across Robert Juliat's range of HMI profiles and followspots.

1999 First Followspot Award: Cyrano

Robert Juliat is the first manufacturer to receive an LDI award for followspot design when the newly released Cyrano 2500 W HMI followspot is named LDI Lighting Product of the Year. The award is bestowed for its outstanding quality and features which include the ergonomics of the large heat resistant, wrap-around handle and the rotating fingertip dimmer control.

2002 Extension of the Plant

Increasing popularity and market demand leads to an extension of the premises at Fresnoy-en-Thelle. The current factory occupies over 7,000 m² (75,000 sq ft).



UNCOMPROMISING QUALITY

2003 Robert Juliat USA

François JULIAT forges links with America with international expansion in mind. Robert Juliat opens its American branch under the management of Fred LINDAUER and Robert Juliat USA is born.

2005 Award for Espionage!

The Espion 2 DMX tester receives the Best Lighting Product of the Year Award at the EDDY Awards in New York, acknowledging it as the perfect tool for technicians working with DMX 512.



2006 Second Followspot Award: Super Korrigan

The newly introduced Super Korrigan 1200 W followspot wins the LDI Lighting Product of the Year award, sparking a rush for theatres to obtain the new model.

2006 The 'Golden Spigot'!

A shoot out at the Pinewood TV studios in London sees the Robert Juliat profile range receive a coveted 'Golden Spigot' award from the British Society of Television Lighting Designers for having all the features a TV lighting designer could want!

2007 Lancelot Gallops In

Robert Juliat redefines the concept of the followspot when it creates the 4000 W HTI Lancelot – the first long-throw dynamic effects projector.

2008 New Leadership for RJ

François JULIAT continues the family tradition by becoming the new Company Manager.



2010 Robert Juliat goes green

RJ presents Aledin, the first profile to use an LED light source in a combination of power and amazing projection ability. An economical and ecological solution that is recognised by the 2010 Award for Innovation at PLASA, Aledin proves an immediate hit amongst TV studios, theatres, museums and production companies.

2012 Tibo and Zep

Robert Juliat continues to revolutionise with two innovative product ranges: Tibo, a compact and versatile profile spot which presents two different zoom ranges within one single unit, and Zep, a new LED profile incorporating a powerful 150 W LED source.

ROBERT JULIAT IS THE PROUD SPONSOR OF:





ROBERT JULIAT

ROBERT JULIAT

WHY ROBERT JULIAT ?

SUSTAINED IMPROVEMENT THROUGH INDUSTRY EXPERIENCE

R&D – Our R&D department works very closely with our sales department to design products perfectly suited to customers needs. We are very concerned about the environment, so we take into account the requirements of recycling processes from the start of the product design.

Production – All components in every Robert Juliat product are of a high standard. If a standard component does not meet our quality requirements, we have it custom-made to match our specific criteria. Every Robert Juliat product is fully manufactured on the premises so we retain complete control over all aspects of quality.

Assembly – For motivation and efficiency everyone on our staff is cross-trained to build our full range of products. We are an environmentally conscious company and our policies on waste management and use of materials exceed all regulations.

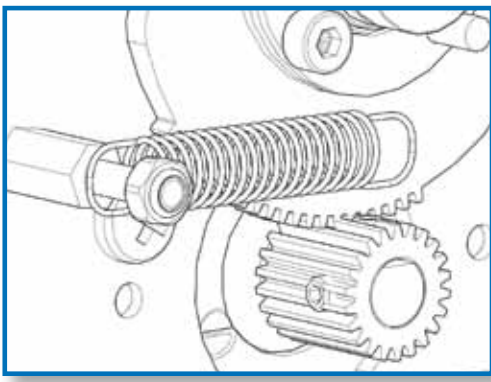


Quality control – As random testing is insufficient for Robert Juliat, we test each product individually for optical, mechanical, electronic and grounding accuracy before it leaves the factory.

After sales & spares – By keeping our production in-house, and with 22,000+ discrete components permanently in stock, we ensure all parts are readily available, both for our own production and as spares for our customers. All Robert Juliat products, including architectural products, come with 2-year warranty.

Logistics – We know how important deadlines are in our industry. Robert Juliat customers can testify that our efficient production management system enables us to give accurate delivery dates. Heavy-duty packaging ensures that all products will arrive in perfect condition.

Sales department – Our main priority is to provide each customer with solutions, supplying products which meet his or her requirements. We draw on our experience and specific case studies to achieve this goal. We provide our distributors and customers with in-depth training on our products.



CONTENTS

SINGLE LENS LUMINAIRES

300 Range Overview	4 - 5
LED	
Zep 340LF	7
Tungsten	
Lutin 306L	9
310H	10
329H	11
Cin'k 325 / 350	13
Discharge	
Cin'k 312 / 326	14 - 15
Tibo Range	
LED - 535	18
Tungsten - 505/515	19
Discharge - 525	21

PROFILE SPOTS

SX Range Overview	26 - 27
LED	
Zep 640	29
Tungsten	
600 Series	30
700 Series	31
Discharge	
Quincy	32
D'Artagnan	33
Tibo Range Overview	34 - 35
LED - 533	36
Tungsten - 503/513	37
Discharge - 523	39

FOLLOWSPOTS

Ultra Compact Range	
Cricket	44
Buxie	45
Compact Range	
Overview	46 - 47
Ginger / Alex	48
Manon / Topaze	49
Lucy / Super Korrigan	50
Flo / Victor	51
Grand Range	
Overview	52 - 53
Aramis	54
Cyrano	55
Lancelot	57 - 59

AMBIANCE LIGHTING

Cyclights	
Horus	64
Fluolights	
Solo & Quadri	65

DIMMERS

Digirack, Digiflight	68
Tivoli	69
Digitour	71

FOCUS ON

Creative Concept Light	17
LED fixtures	23
TV Studio applications	41
Architectural applications	61

TECHNICAL CHARACTERISTICS

Range Overview	72 - 73
Range Characteristics - Accessories	74 - 79



Photo: War Horse, New London Theatre (UK)

ROBERT JULIAT

LEADING THE MARKET IN QUALITY SINCE 1919

Quality construction – All fixtures are manufactured to be durable enough to withstand even the toughest of touring conditions while each high quality component ensures complete reliability under show conditions.

Ergonomic perfection – From the large wrap-around, heat-resistant followspot handle, to the thumb-rests on the profile shutter lock, each fixture offers exclusive features to make operation a pleasure.

Optical excellence – The Robert Juliat optical system is based upon condenser optics which collects the maximum amount of light and produces a flat, even beam with no hotspot and little drop off at the edge of the beam. The result is a crisp, consistent spread of light, guaranteeing a smooth general coverage and unsurpassed image projection.



Ease of maintenance – With the technician in mind, Robert Juliat designs fixtures with easily removable components to make RJ fixtures the quickest to set up and the easiest to maintain.

Value for money – Robert Juliat luminaires provide excellent return on investment due to quality construction guaranteeing long life, modular construction and zoom optic versatility. Man-hours and maintenance time are reduced, spares stock levels are kept to a minimum and the quality of build guarantees a durable product with a long working life and an optimum return on investment.

Customer care – Consultation and consideration are company watchwords. The sales team works together with R&D and after sales team departments to determine customers needs, and consults focus groups of end-users to formulate designs for the ideal product. In this way we provide answers for present needs and keep Robert Juliat at the front of future developments.

Environmental consciousness – We make every effort to produce all products with a respect for the environment. All our manufacturing is concentrated in one plant, at our headquarters, thereby avoiding any fuel waste caused by freighting part-assemblies between factories. Our policies on waste management and use of materials exceed the requirements of EU directives and we apply regulations in accordance with WEEE and RoHS standards. Our best example is the introduction of our new LED ranges that put RJ ahead of the field in combining power and quality with economy and environmental sensitivity.

”

We have had the Robert Juliat 310 Fresnels for two seasons now and expect them to last for at least another season! Three seasons is all we normally expect from a fixture in these conditions – they spend 4 months of every year outdoors on a cliff side with all the weather the elements can throw at them – and the Robert Juliats still keep coming back for more! They are exactly what we wanted in a fixture and we are very happy with them.

Phil JACKSON (UK), Chief Electrician, Minack Theatre

SINGLE LENS LUMINAIRES

DEVELOPING AHEAD OF THE MARKET

Robert Juliat, the founder of the current company, designed the first Robert Juliat PC fixture in 1923 for the fledgling moving picture industry.

With the ability to think beyond conventional technology, the company has been a forerunner of lighting product design since those early days, constantly finding innovative solutions to improve upon the quality of its products – both in terms of beam and build – until it has reached the high and constant standards for which it is renowned throughout the world today.

This fresh approach continues into the current generation. The modular design of the Lutin and Cin'k Fresnels set new standards in single lens luminaire design by providing a multi-faceted solution in a brilliantly simple package. Boundaries continued to be stretched with the arrival of Aledin 330, a new LED washlight, in 2011, which subsequently developed into the Zep 340LF LED Fresnel.

The latest example of Robert Juliat innovation is the award-winning Tibo range which incorporates the Tibo Fresnel, a brand new tool in the Robert Juliat portfolio. Now designers can choose from a selection of compact, efficient Fresnel fixtures offering a choice of different light sources: LED, tungsten and discharge.

Whatever the size or type of venue, Robert Juliat's single lens luminaires provide the optimum solution.

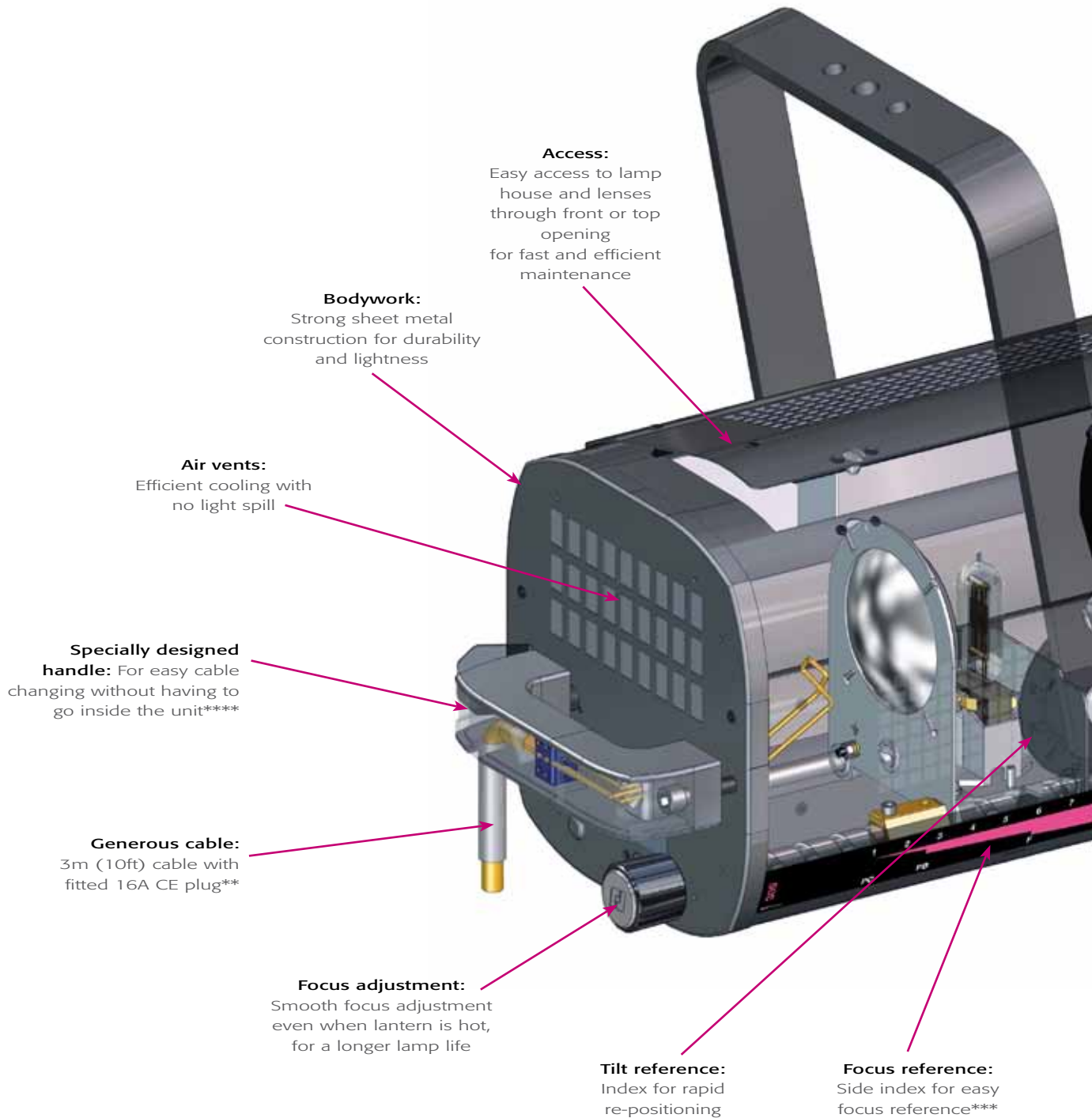


3 types of lenses, 3 types of beams

1 - Plano-Convex (PC): Clear lens giving a hard-edge beam with no 'spill'. Variable zoom gives more coverage than a profile, and a more flexible alternative than fixed-beam units. Ideal for front light, backlight and for dramatic highlights.

2 - Pebble-Convex (PB): Stippled lens gives less light diffusion than a Fresnel, yet without the hard edge of a PC. Use where soft edges and smooth blending are required but with more control.

3 - Fresnel: Fresnel lens gives soft shadows for smooth blending between fixtures giving an even general coverage. Ideal for wash light, back and side lighting.



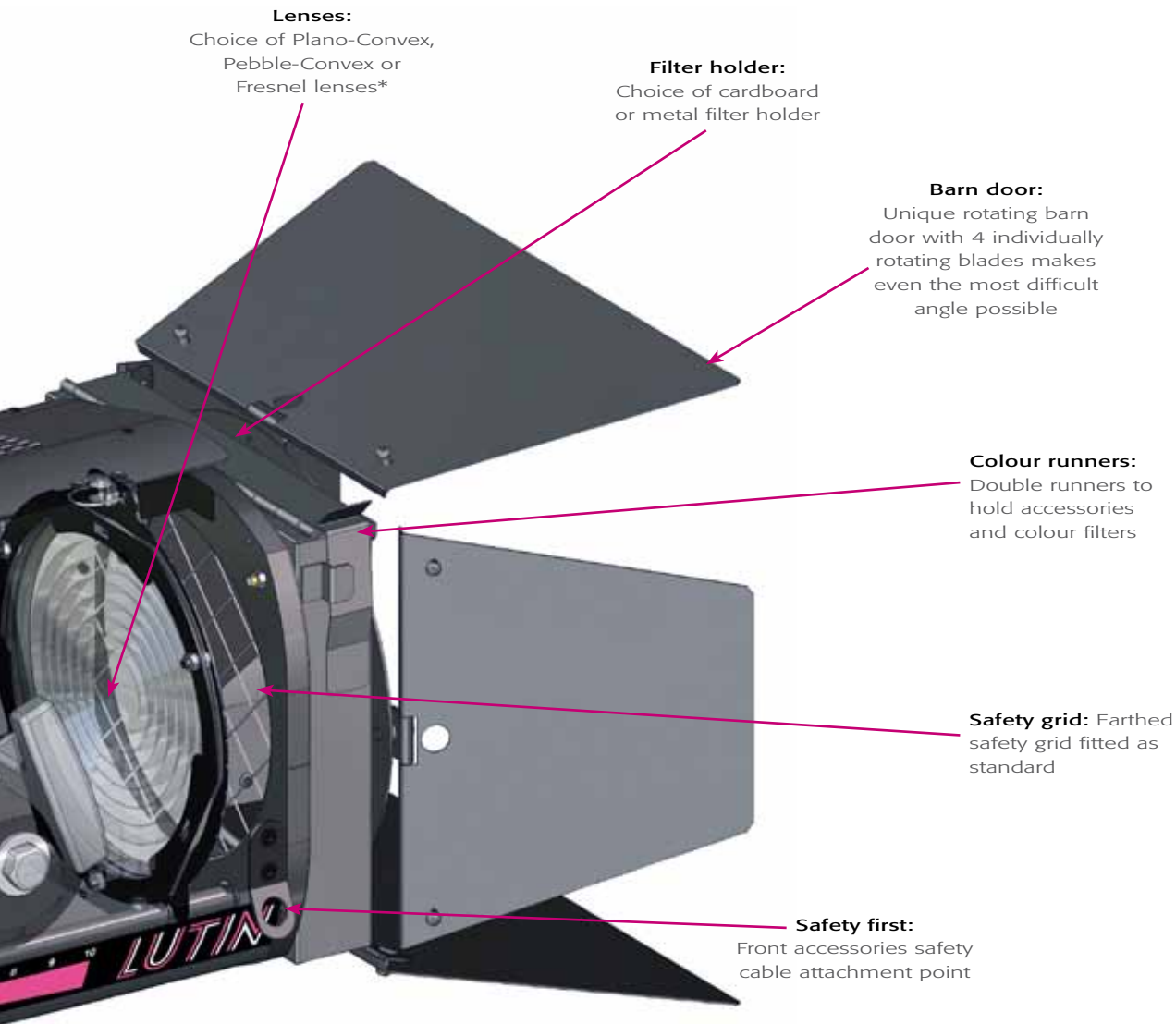
(*) except Cin'k

(**) depending on country

(***) except 310 & 329

(****) 306 only

300 RANGE OVERVIEW



”

When refurbishing the Lighting Department at the Old Vic, we invested in a large number of Robert Juliat Fresnels which we chose because of their robust construction and versatile features. The lamps are very easy to change and the 1K 'Lutin' is transformed quickly from Fresnel to PC with the interchangeable lenses, making them a very useful and time saving fixture. The barn doors with one point rotation on each leaf are great at getting into all those difficult to reach places without spilling light over set and proscenium.

Stuart CRANE (UK),
ABTT Technician of the Year 2005, speaking when
Chief Electrician at the Old Vic Theatre, London





LED

ZEP 340LF

LED 150 W

With its high output LED, its 200 mm Fresnel lens and its great beam quality, this fixture gives a very powerful wash effect.

Presenting an exceptional flat and variable beam angle, this LED Fresnel is ideal for fill lighting in TV studios. Beam shaping can be achieved with great precision by the addition of RJ's unique, individually rotatable barndoors.

The 340LF represents an economical solution as it extends colour filter life due to its low heat output, and requires fewer maintenance calls thanks to its extra-long-life LED. Particularly attractive is its electronic flicker-free dimmable PSU. The versatility offered by the choice of two colour temperatures (3200 K or 6000 K) makes the 340LF perfect for studios, theatres, and events, as well as architectural applications.

- Single Lens Luminaires features (see pages 4 & 5) and focus on LED fixtures (page 23)
- Lens size: 200 mm (8")
- Variable beam angle from 17° to 96°
- 150 W LED source – 50,000 hours*
- Available in two colour temperatures (3200 K and 6000 K)
- Constant colour temperature when dimming
- Built-in electronic flicker-free dimmable PSU
- Silent operation

(*) Manufacturer's data



340 LF
LED 150 W





Photo: St John's, Smith Square, London (UK)

TUNGSTEN

LUTIN

1000 W TUNGSTEN

Lutin is a multi-purpose 1K fixture with a host of unique design features – including a choice of 3 quick-change lenses – making it the most versatile and economical unit of quality on the market. It can be used as a Fresnel for coverage, a Pebble for soft light and a PC for directional light. As a 3-in-1, compact, easy-to-use fixture, Lutin offers dual savings, requiring less capital expenditure and less storage space.

Especially valuable in multi-purpose venues, repertory theatre and rental companies where the interchangeable lens can be put to full use, Lutin is also of benefit to schools, colleges and venues with limited budgets.

- Single Lens Luminaires features (see pages 4 & 5)
- Lens size: 150 mm (6")
- Choice of 3 fast-change lenses – Fresnel, PC & PB – with no tools required
- Easy access via large top opening for fast lamp changing, lens changing and cleaning
- Unique handle design for fast cable changing
- Side index for easy focus reference
- Internal cable guide to prevent cables from becoming entangled in movable lamp tray
- Tilt pointer on hanging yoke
- Unique rotating barn door with 4 individually rotating blades



306 L
1000 W tungsten



TUNGSTEN



310 H
1000/1200 W tungsten

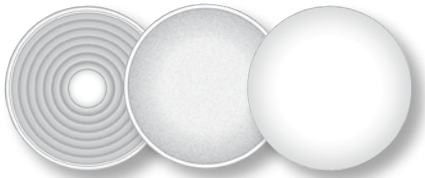
310H

1000/1200 W TUNGSTEN

With its unique 200 mm lens the 310H has no equivalent on the market for light output and quality of beam. The wider the lens, the greater the light output and, with its great beam angle, it is a truly high performance unit. Offering broad coverage with a smooth, even beam, the 310H is also designed for easy maintenance and has a well-earned reputation for reliability.

The 310H is at home in every venue, large and small.

- Single Lens Luminaires features (see pages 4 & 5)
- Lens size: 200 mm (8")
- Choice of 3 lenses — Fresnel, PC & PB
- Easy access from front-opening door
- Tilt pointer on hanging yoke
- Efficient cooling with no light spill
- Unique rotating barn door with 4 individually rotating blades



TUNGSTEN

329H

2000/2500 W TUNGSTEN

The 329H has long been the industry standard for 2.5K units and is a favourite in theatres, opera houses and concert halls the world over.

Unlike most products on the market which use GY16 lamps, Robert Juliat uses a G22 lamp socket which guarantees the 329H's reliability, holding the lamp securely in place to ensure there is no electrical arcing, even when the fixture is pointing vertically downward. The socket also offers a longer lamp life and enables the use of a 2500 W lamp.

Ideal for medium to large venues and for rental companies, the 329H is now a classic!

- Single Lens Luminaires features (see pages 4 & 5)
- Lens size: 200 mm (8")
- G22 socket – accepts 2000W and 2500W lamp
- Choice of 3 lenses – Fresnel, PC & PB
- Easy access from front-opening door
- Tilt pointer on hanging yoke
- Smooth-running lamp adjustment from front or rear
- Unique rotating barn door with 4 individually rotating blades



329 H
2000/2500 W tungsten

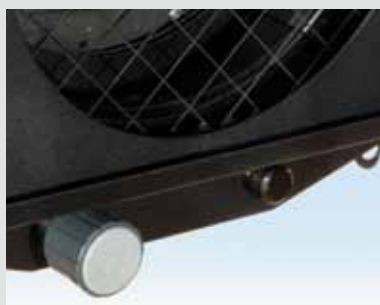
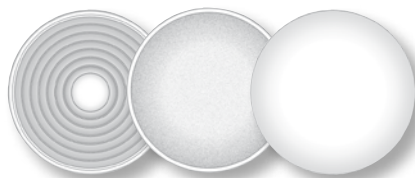




Photo: King Lear, Palais des Papes (France)

TUNGSTEN

CIN'K

2000 - 5000W TUNGSTEN

With its unique modular system of interchangeable lamp bases and its purpose built gel cassette, the Robert Juliat Cin'k is a 5K Fresnel designed specifically for theatres, but with a flexibility to suit any venue or purpose.

Its 250 mm lens gives an output which exceeds that of comparable 300 mm fixtures, and its theatre-inspired front cassette has no light spill to distract audiences or performers, or detract from beautifully crafted lighting designs.

Cin'k is ideal for theatres and opera houses, in large venues and for rental houses.

- Single Lens Luminaires features (see pages 4 & 5)
- Choice of 2000 W / 2500 W / 5000 W tungsten lamps
- Lens size: 250 mm (10")
- Double runners to hold accessories and colour filters
- Silent cooling fan for colour cassette to extend the life of dark colour gels (350 LfV)
- Special handle design for fast cable changing
- Side index for easy focus reference
- Unique rotating barn door with 4 individually rotating blades



350 LF
5000 W tungsten



325 LF
2000 W / 2500 W
tungsten



350 LfV
5000 W tungsten
with fan-cooled front cassette

Can also be transformed into a discharge unit with :



312 LF
1200 W discharge



326 LfV
2500 W discharge
with fan-cooled front cassette

(see next page)



DISCHARGE



326 LFV
2500 W discharge



312 LF
1200 W discharge

Can also be transformed into a tungsten unit with :



325 LF



350 LF / 350 LFV

(see previous page)

CIN'K

1200/2500 W DISCHARGE

A simple change of lamp compartment transforms Cin'k into a discharge unit ideal for use in TV studios, film lighting and rental companies. The resulting cool colour temperature is also perfect for ballet or creating day light effects.

Like its tungsten counterpart, its 250 mm lens ensures a powerful output while the theatre-inspired front cassette gives no light spill so providing an alternative to the current film lighting method of attaching filters with clips.

Smooth dimming can be achieved with no change in colour temperature by the addition of a Jalousie 2 digital dimmer (see page 15).

- Single Lens Luminaires features (see pages 4 & 5)
- Choice of 1200 W / 2500 W discharge lamps
- Lens size: 250 mm (10")
- Double runners to hold accessories and colour filters
- Silent cooling fan for colour cassette to extend the life of dark colour gels (326 LFV)
- Special handle design for fast cable changing (except 326 LFV)
- Side index for easy focus reference
- Optional DMX remote controlled ignition (326 LFV only)
- Unique rotating barn door with 4 individually rotating blades
- Jalousie 2 : optional DMX-controlled digital shutter for the dimming of discharge units



DISCHARGE

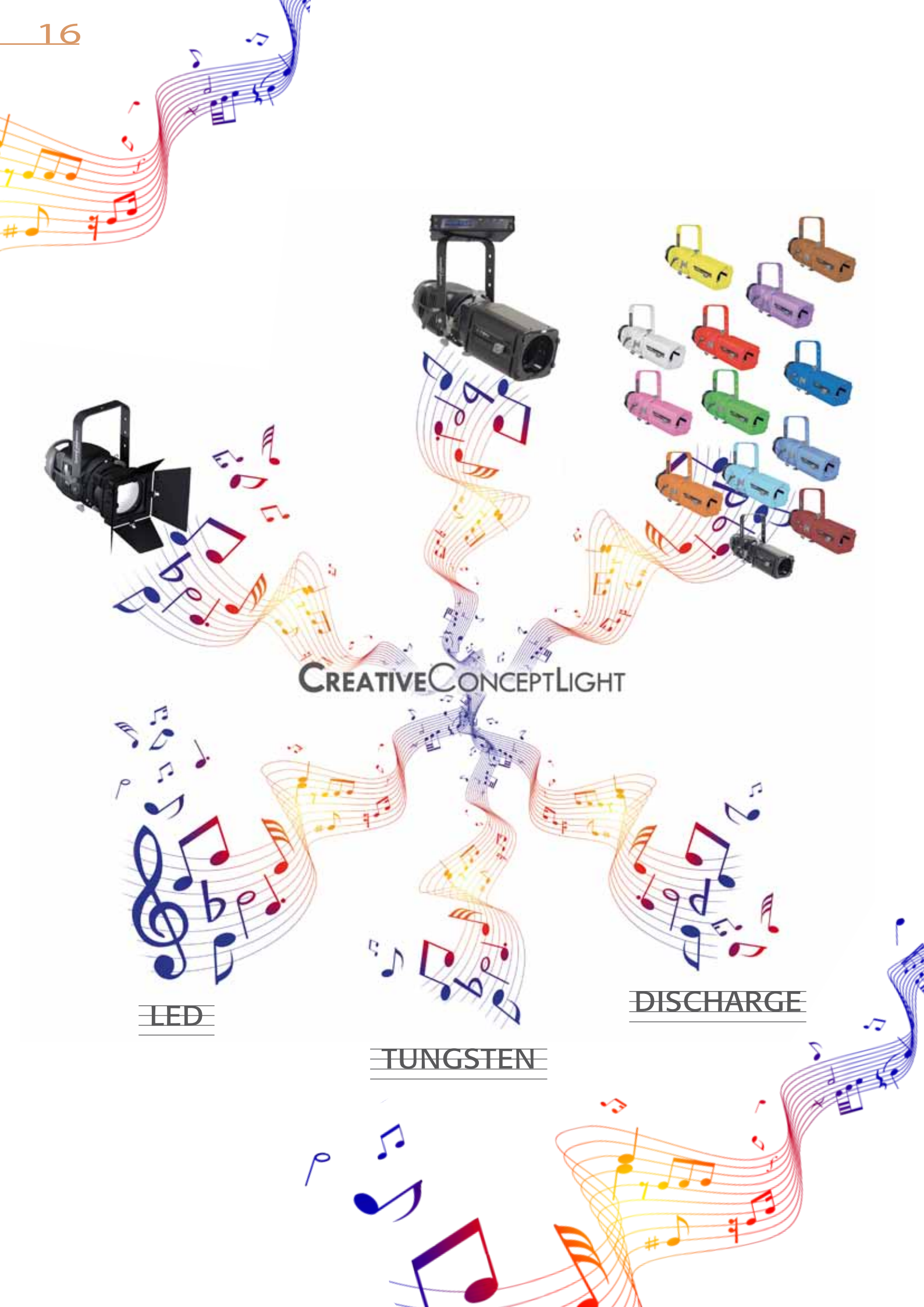
CIN'K ACCESSORIES JALOUSIE 2

Jalousie 2 is a high resolution, DMX-operated, digital motorised shutter for discharge fixtures which cannot be electronically dimmed. Using a series of rotating blades, speed of movement can be precisely regulated to create effects from the subtlest of dimming to flash and blackout effects.

Control can be local or remote from a lighting desk while the light shield ensures that there is no light spill from the sides of the unit and blackout is complete.

- Two sizes available (aperture sizes: Ø280 mm - Ø340 mm) - can fit most of the standard market Fresnel fixtures
- Dimming control from 0% to 100%
- Local and DMX remote control
- Light shield included
- Adaptation plate supplied for RJ products only





CREATIVE CONCEPT LIGHT

LED

TUNGSTEN

DISCHARGE

FOCUS ON CREATIVE CONCEPT LIGHT

Creative Concept Light is about choosing unique and creative ways to design lighting solutions that are both original and worthwhile.

The Creative Concept Light by Robert Juliat is a philosophy focused on providing a comprehensive platform of lighting possibilities, embodied in one innovative range named Tibo.

Like the notes in a symphony, Tibo offers a 'mix and match' choice of lightsource (LED, tungsten halogen and discharge), lens type (Fresnel and profile) and body colour. From this wide selection of components, designers and technicians can compose endless lighting solutions to suit any application, whether it is for theatre, architecture, TV studio, event, display or retail purposes.

All Tibo profiles have a 360° rotating body and a unique optical system which offers the choice of two zoom ranges (30/45° and 15/35°) in one single unit.

Tibo's LED light sources offer theatre lighting designers a choice of colour temperature which remain constant when dimming. Cool or warm white atmospheres can be achieved without the need for colour correction filters and the reduction in light output these cause. Variable LED light sources can be matched with traditional tungsten units as required.

Both LED and discharge Tibo fixtures are valuable for event lighting since they provide easy, cost-effective solutions in terms of reduced installation and maintenance costs, less cabling and lower power consumption. Up to 35 Tibo LED fixtures can be daisy-chained from a single domestic power outlet (230V 16A).

Architectural lighting requires compact, long-life fixtures with low heat-emission. Tibo's compact form and cool running LEDs make them ideal for discreet use in listed venues, exhibitions, museums or when lighting valuable or light-sensitive objects.

Retail or display installations by contrast often want to be noticed. Tibo's selection of dramatic or conventional body colours ensure Tibo can stand out from the crowd or blend into its environment.

The Tibo profiles and fresnels are perfect key lights for TV studios. Both fixtures offer a flat, even beam with no hot spot with soft or sharp beam shaping. All Tibo LED units have a flicker-free ballast which makes them suitable for film, television and studio environments as well as in conventional theatre.

You produce the creative ideas, we'll reply with Tibo.

**Discover the TIBO
fresnel range,
pages 18 to 21**



**Discover the TIBO
profile range,
pages 34 to 39**



LED



535
75 W LED

TIBO - 535

LED 75 W

Ideal for wash light, back and side lighting, Tibo LED Fresnel is an innovative, energy efficient lighting tool.

It features an excellent optical system and a choice of colour temperatures which remain constant when dimming. Cool or warm white washes can be achieved without the need for colour correction filters and the reduced light output these cause.

Tibo LED presents an economical solution as its low heat output and extra long-life LED source (50,000 hours according to manufacturers specifications) means less heat damage and less maintenance.

All Tibo LED units have a flicker-free ballast which makes them suitable for film, television and studio environments as well as in conventional theatre.

- Die-cast aluminium bodywork
- 360° rotating lens tube
- Unique RJ barn door with 4 individually rotating blades
- Smooth focus adjustment possible with a user-friendly system
- Lens size : 130 mm (5")
- Available in three colour temperatures (WW 3000K, NW 4000K and CW 6500K)
- Variable white model available ranging from 2700K to 5700K
- Flicker-free PSU
- Silent operation
- Run up to 35 Tibo 535 from a single domestic power outlet 230V 16A



TUNGSTEN

TIBO - 505/515

300 / 500 / 600 / 650 W

The Tibo tungsten Fresnel is a complementary model to the whole Tibo range. It presents a more traditional light output which blends well with conventional theatre lighting.

The wide choice of available wattages ensures this unit can be put to good use as back light, side light and as a washlight.

This fixture features a peak/flat button that enables the precise adjustment of light distribution, to allow designers the freedom to convey their creative ideas accurately.

Its compact size makes Tibo tungsten Fresnels ideal for smaller venues and applications where space is limited; but its big performance ensures its usefulness in venues of all sizes.

- Die-cast aluminium bodywork
- 360° rotating lens tube
- Unique RJ barn door with 4 individually rotating blades
- Smooth focus adjustment possible with a user-friendly system
- Lens size : 130 mm (5")
- Ellipsoidal reflector
- Available in two versions :
 - GY9.5 socket for 300/500/650 W lamps
 - G9.5 socket for 600 W lamps GKV type (575 W lamps GLC type for the North American market)
- Access to the lamp secured by two safety switches



505
300/500/650 W tungsten (GY9.5)

515
600 W tungsten (G9.5)





DISCHARGE

TIBO - 525

250 W HID

Compact and extremely powerful, Tibo HID Fresnels provide a cost-effective solution in terms of reduced installation and maintenance costs. The long 8,000 hour lamp life means less man-hours are spent servicing and lamp changing, making it ideal for long-term installations.

The combination of its compact size, lower power consumption and small electronic ballast which can be attached to the yoke render it extremely useful for corporate events when space and power availability are at a premium. The CDM-T lamp's cool colour temperature is ideal for spaces such as shopping malls and hotel foyers, reducing the carbon footprint of an installation whilst still offering great performance.

- Die-cast aluminium bodywork
- 360° rotating lens tube
- Unique RJ barn door with 4 individually rotating blades
- User-friendly smooth focus adjustment
- Lens size : 130 mm (5")
- Ellipsoidal reflector
- 8.000 hr lamp life (CDM-T 250 W)
- Colour temperatures available in 3000K and 4200K
- Separate electronic ballast



525
250 W HID





FOCUS ON LED FIXTURES

LEDs are providing new solutions in lighting across several market sectors and Robert Juliat has responded by creating new ranges that combine high output LED light sources with superb Robert Juliat engineering. These incorporate both Fresnel and profile fixtures, Zep and Tibo ranges.

Theatre

Zep fixtures offer theatres a choice of different colour temperatures which remain constant when dimming. The Zep 340LF Fresnel offers a very wide and even beam whilst the Zep profile (640SX) gives superb gobo projection and uses less gel. This is due to the coolness of the LED source which allows smaller pieces of colour filter to be placed in the lantern's internal holder.

The Tibo range presents a compact and bright lighting solution featuring an outstanding optical design that allows two different zoom ranges within one single unit.

Further cost savings are made because LEDs require no dimmers and emit far less damaging heat, which in turn means less maintenance, less air-conditioning and easier handling for the technician.

Architectural

The long LED life (up to 50,000 hrs according to manufacturers guidelines) ensures LED light sources are a great solution for hard to reach areas and perfect for long term projections. LEDs' low heat emission means less wear and tear on the fixture and therefore less maintenance. The absence of UV / IR emissions ensures protection for sensitive objects such as works of art, museum exhibits and theatres' historic décor. Easy to install and lower in energy consumption, the Robert Juliat LED ranges offer cost savings in more ways than one!

TV Studio

Crucial to television studios is a lantern's quality of light, constant colour temperature when dimming and flicker-free power supply, all of which are offered by the RJ LED profiles and Fresnels. Both types of fixture offer a flat, even beam with no hot spot, with soft and sharp beam shaping. Running costs are slashed while less heat means less maintenance and less air-conditioning.

Event

Zep and Tibo LED profiles are invaluable for easy, cost effective event lighting. There is no need for costly installation and cabling and less time is spent setting them up.

The LED light source is so cool that even plastic gobos can be placed in the gate, cutting gobo costs since these can be printed on standard desktop printers.



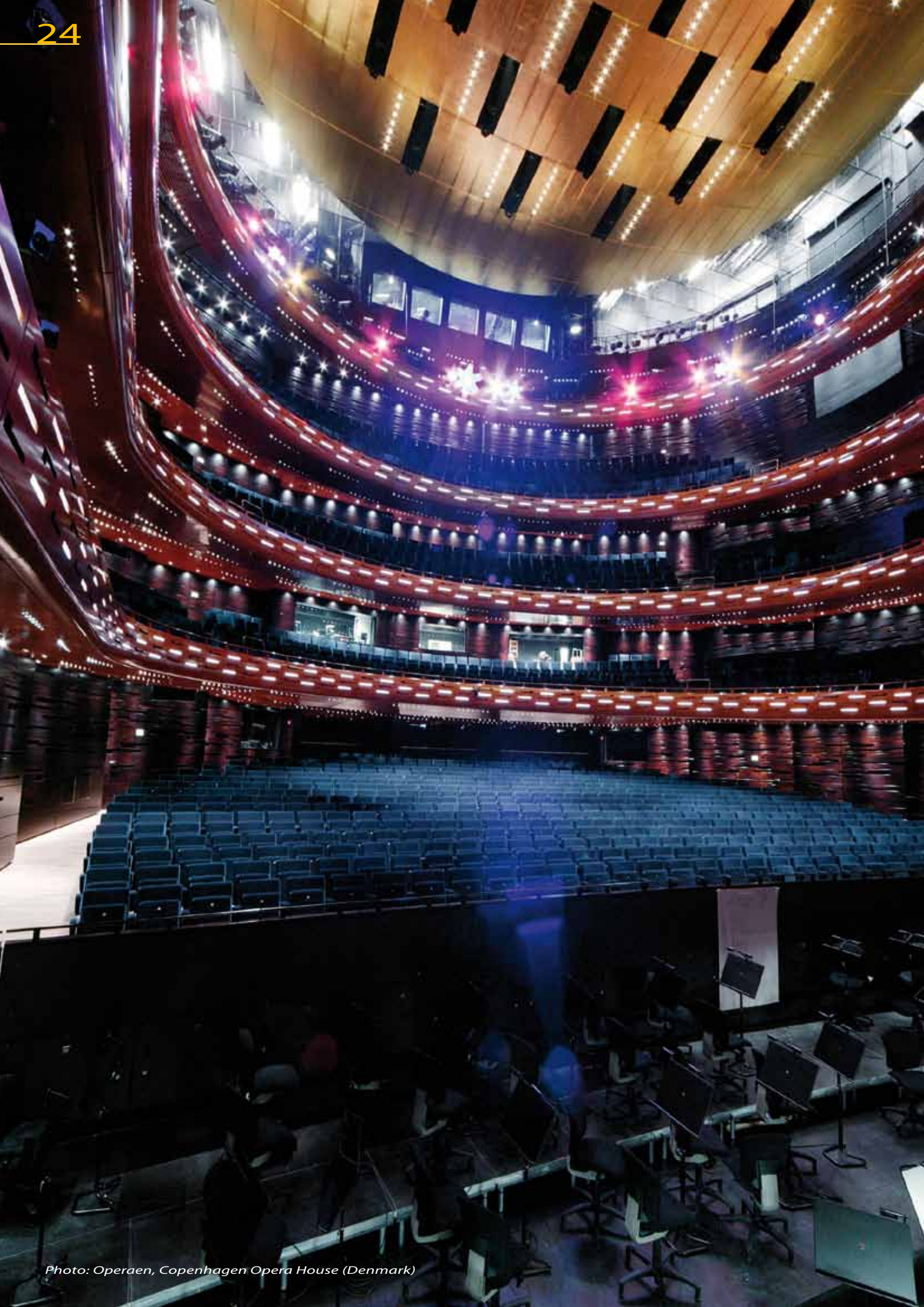


Photo: Operaen, Copenhagen Opera House (Denmark)

PROFILE SPOTS

EXCLUSIVE DESIGNS, OUTSTANDING OPTICS

Robert Juliat wanted to design an optically superior fixture which would provide the solution to the many different needs of its customers more comprehensively than any other fixture.

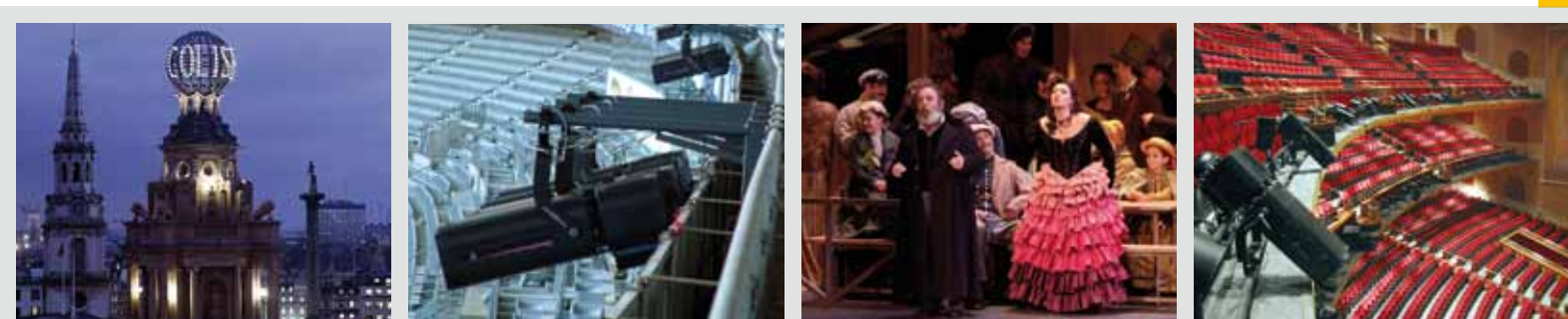
The current range of Robert Juliat zoom profiles is the result of consultation with end-users, from across a wide range of disciplines, on what would make the ideal profile fixture. The result is an unparalleled combination of exclusive operational features, mechanical and optical quality, modularity, versatility and ease of maintenance.

We offer a comprehensive zoom range covering all angles, from the very wide needed for smaller venues and short throw applications to the very narrow for the long throw of large scale venues. The zoom lenses give flexibility to each unit and, combined with the quality of light offered, provide a product to fit all sizes of budget, big and small.

In 2010 we launched Aledin 630, the first LED profile to combine power with superb optical qualities. Aledin was the first to provide a truly useable, economical and ecological solution for TV studios, theatres, museums and production companies - a fact recognised by the 2010 Award for Innovation at PLASA.

The range of Robert Juliat zoom profiles are now enhanced with two innovative ranges : Zep and Tibo.

Lighting designers, technicians and business owners alike value Robert Juliat profiles for their exclusive operational features, reliability, fast maintenance and availability of spare parts, and the cost savings all these afford.



SX OPTICAL SYSTEM

The Robert Juliat optical system implemented in all profiles and followspots is based upon double condenser optics and a variable zoom.

This ensures the maximum amount of light, a flat, even beam with no hotspot, and excellent image projection at all beam angles.

Images and shutter cuts are projected, with unparalleled sharpness, across the full beam width, in marked contrast to ellipsoidal optical systems. Factory-aligned optics ensure the same beam aspect in each fixture, even after

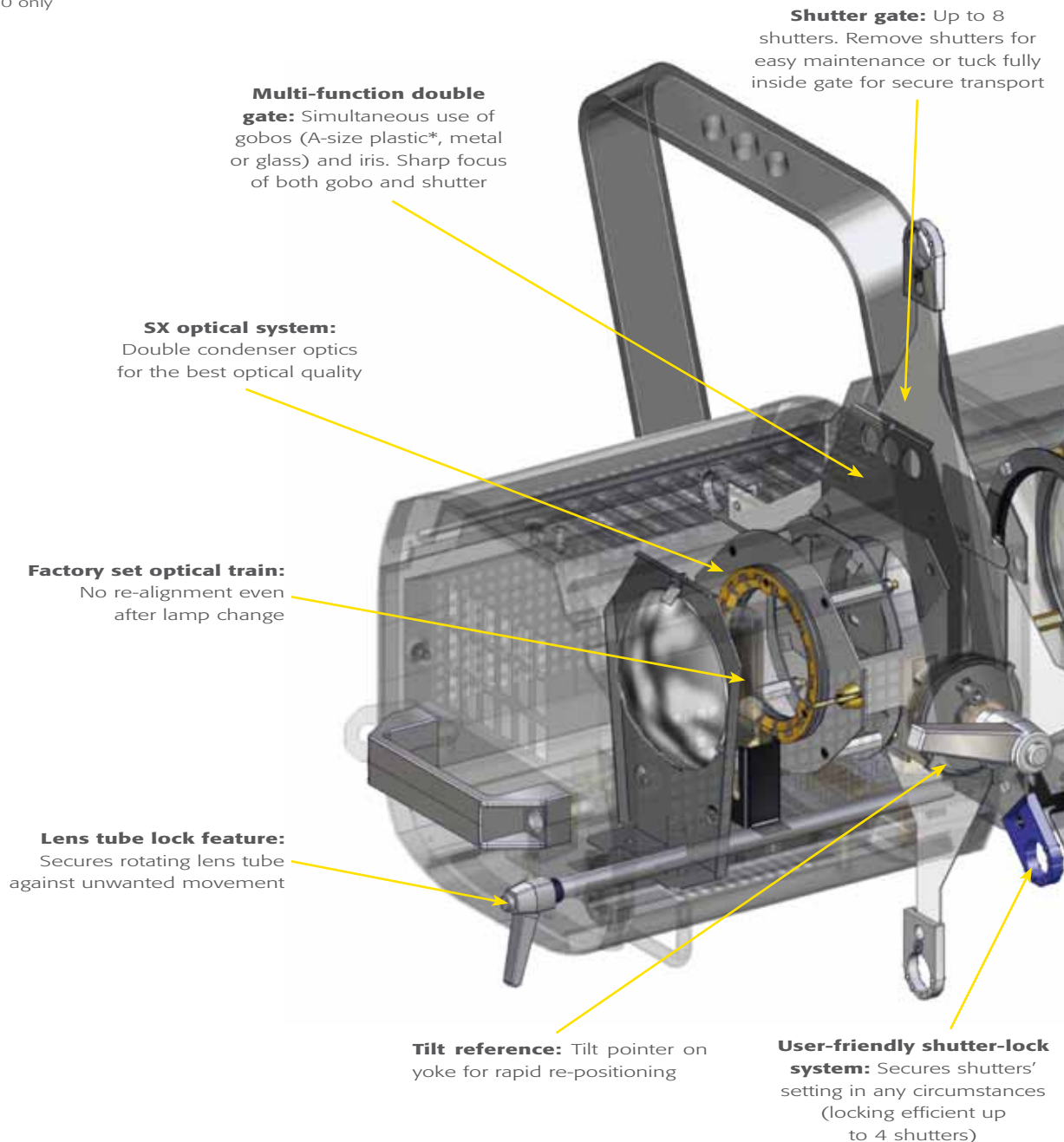
a change of lamp, so no time-consuming lamp realignment is necessary.

High quality lenses come as standard, and not as an optional extra at additional cost.

The variable zoom feature means there is no need to purchase, change or store additional lens pipes, thereby saving money, time and space.

The flat beam gives more coverage per fixture, which means fewer fixtures, less cabling, fewer dimmer channels, lower running costs and less maintenance time.

(*) Zep 640 only



And also:

- **Bodywork:** strong sheet metal construction for durability and lightness
- **Moving parts:** smooth at all times, even when hot
- **Easy access to all parts:** easy cleaning, re-lamping and maintenance
- **Captive knobs and handles:** additional security when working at height or in transit
- **Spare parts and accessories:** uniform across the SX range (tungsten, discharge or LED), reducing running costs

SX RANGE OVERVIEW

90° rotating lens tube / gate / front accessories holder:

Rotation of the projected image is always possible while the lamp remains vertical – no need to move the yoke

Single and double colour runners: Variety of sizes to match local standards

Variable zoom: Independent control of image size and focus. Focus handles on both sides for simultaneous operation

Easy focus reference: Graduated scale on side of lantern; fast and easy refocusing

Internal glass filter holder: Long term use of durable coloured, dichroic and textured glass or gels*

”

When I arrive at a theatre and see Robert Juliat fixtures, I feel reassured. Reassured because with the RJ profiles, I can do what I want to do, not just what they allow me to do. Reassured because my gels have a true unadulterated effect. Reassured because there is a wide range of angles to suit each situation. It is obvious that the RJ engineers have both the theatre technicians and lighting designers in mind when they create their fixtures.

Albert FAURA (Spain),
Lighting Designer of the Fura dels Baus opera company,
winner of the MAX Award for Performing Arts
lighting design in 1999





LED

ZEP 640SX

LED 150 W

The same size and form factor as the popular Robert Juliat 600SX series, Zep is an innovative LED profile spot which offers significant light output with superlative framing and projection abilities.

Extra long LED life, very low power consumption and low heat emission (Zep can even project plastic gobos) result in important cost savings, fewer maintenance calls and lower running costs.

The integral flicker-free, dimmable, electronic PSU is ideal for studio applications; zero UV / IR emissions ensure protection for audiences, works of art and delicate or historic environments.

The most versatile, cost-effective and safe fixture on the market, Zep retains all the features and functions of a Robert Juliat profile lantern to perfectly meet the needs of all who wish to reduce their carbon footprint whilst maintaining their quality of projection.

(see focus page 23).

- SX range features (see pages 26 & 27)
- 150 W LED source – 50,000 hours*
- Available in two colour temperatures (3200K and 6000K)
- Built-in electronic flicker-free dimmable PSU
- Strobe function
- Choice of plastic, metal or glass gobo
- 3 variable zoom options: 28° - 54°, 16° - 35° and 11° - 26°
- Silent operation
- Run up to 19 Zep 640 from a single domestic power outlet 230V 16A

(*) Manufacturer's data



644 SX
16° - 35°



643 SX
28° - 54°



641 SX
11° - 26°



TUNGSTEN



614 SX
16° - 35°

600 SX SERIES

1000/1200 W TUNGSTEN

Perhaps the most versatile of the Juliat profiles, the 600 SX is the classic 1K/1.2K theatre fixture. Available with 3 different variable zoom options to cover every throw distance required, the 600 SX is equally happy with on-stage positions, overhead and on side booms, on prosceniums and front of house.

Its advanced functions and optical quality make this fixture indispensable in opera houses, theatres and studios.

The 600 SX's interchangeable lamp bases can be swapped with those of the Quincy range to give a choice of tungsten or discharge.

- SX range features (see pages 26 & 27)
- Available with 3 variable zoom options: 28° - 54°, 16° - 35° and 11° - 26°
- Interchangeable lamp bases with Quincy (MSD 575W) series
- Convection cooled lamp house requiring no fan



613 SX
28° - 54°



611 SX
11° - 26°



TUNGSTEN

700 SX2 SERIES

2000/2500 W TUNGSTEN

Combining power with a smooth flat beam quality, the 700 SX2 is the ideal profile for all long throw applications in medium to large theatres and opera houses.

Four lens tube options from short throw to very long throw include an extremely narrow 8°-16° lens for very long throw distances with no outsized lens tube.

The medium 15° - 40° 714 SX2 model is a favourite fixture for TV studios, especially on talk shows and news reports (see focus page 41).

The 700 SX2's G22 lamp socket is extremely reliable, holding the lamp securely in place to ensure there is no arcing, even when the fixture is pointing vertically downward. The socket also offers a longer lamp life and enables the use of a 2500 W lamp.

- SX range features (see pages 26 & 27)
- Available with 4 variable zoom options: 29° - 50°, 15° - 40°, 10° - 25° and 8° - 16°
- Silent cooling fans — ideal for opera houses and studios
- G22 socket locking system exclusive to Robert Juliat — accepts 2000 W and 2500 W lamp



714 SX2
15° - 40°



711 SX2
8° - 16°



713 SX2
29° - 50°



710 SX2
10° - 25°



DISCHARGE



424 SX
16° - 35°

QUINCY

575 W MSD

Quincy is a bright discharge light source, ideal for projecting logos and images at corporate events or for architectural enhancement. Its A-size gobo gives maximum image area while the lens quality ensures sharply focused images. It is the perfect solution for projecting static images without having to resort to complex and demanding moving lights and DMX controllers.

Flexible and cost-effective solutions are offered by transforming a standard tungsten theatre profile spot into a discharge unit simply by changing the lamp base.

- SX range features (see pages 26 & 27)
- Available with 3 variable zoom options: 28° - 54°, 16° - 35° and 11° - 26°
- Long lamp life (2000h)
- High colour temperature (6000K)
- Hot restrike
- Electronic PSU
- Excellent gobo projection
- Interchangeable lamp bases with 600 SX (1000/1200 W tungsten) series



421 SX
11° - 26°



423 SX
28° - 54°



DISCHARGE

D'ARTAGNAN

2500 W METAL HALIDE

D'Artagnan is the one to call on when you need power! With no equivalent on the market, the 2500 W D'Artagnan is the most powerful of profiles.

Indispensable for dramatics effects at the opera, it is also ideal for outdoor TV recordings, fashion shows and large trade fair stands. It is the benchmark among profile spots for all large scale shows and can be seen in the spectaculars of Las Vegas and Macau and across the world.

More power does not mean less quality. D'Artagnan's integrated motorised dimmer shutter gives perfect dimming, while maintaining a constant colour temperature of 6000K. Retaining all the functions of the SX Series profile spots, D'Artagnan is also an amazing long-throw gobo projector particularly appreciated in the advertising sector (see focus page 61).

- SX range features (see pages 26 & 27)
- Available with 3 variable zoom options: 10° - 25°, 16° - 38° and 29° - 50°
- Built-in DMX-control of motorised dimmer shutter and lamp ignition
- High colour temperature (6000K)
- Hot restrike
- Separate PSU
- Long distance gobo projection



934 SNX
16° - 38°



933 SNX
29° - 50°



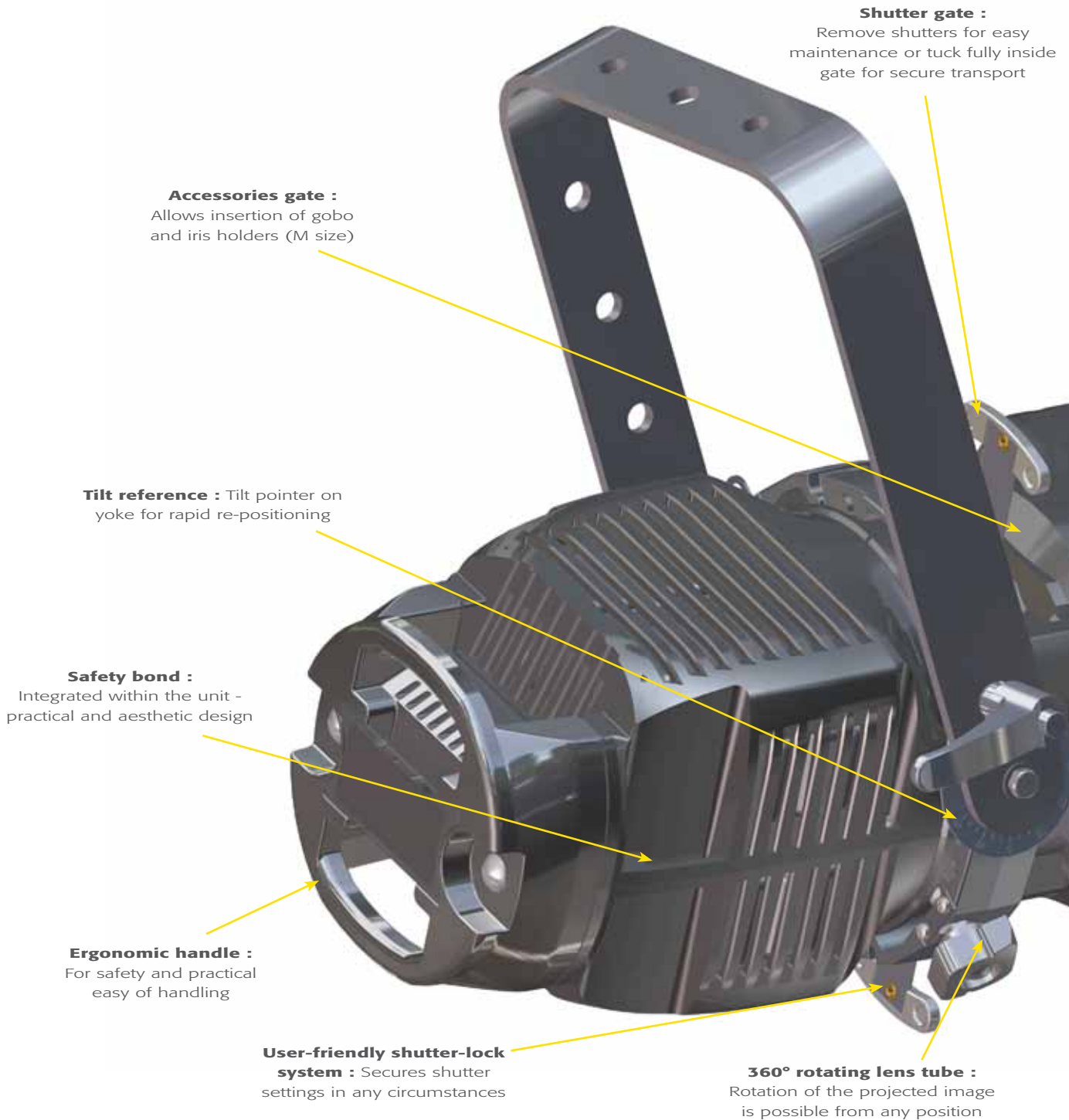
930 SNX
10° - 25°



NEW DESIGN, NEW OPTICS

With its new optical system and its die-cast aluminium bodywork, the Tibo profile range introduces a brand new design backed by the same impeccable attention to ergonomic features present in every Robert Juliat fixture. Tibo is the most compact range of profiles.

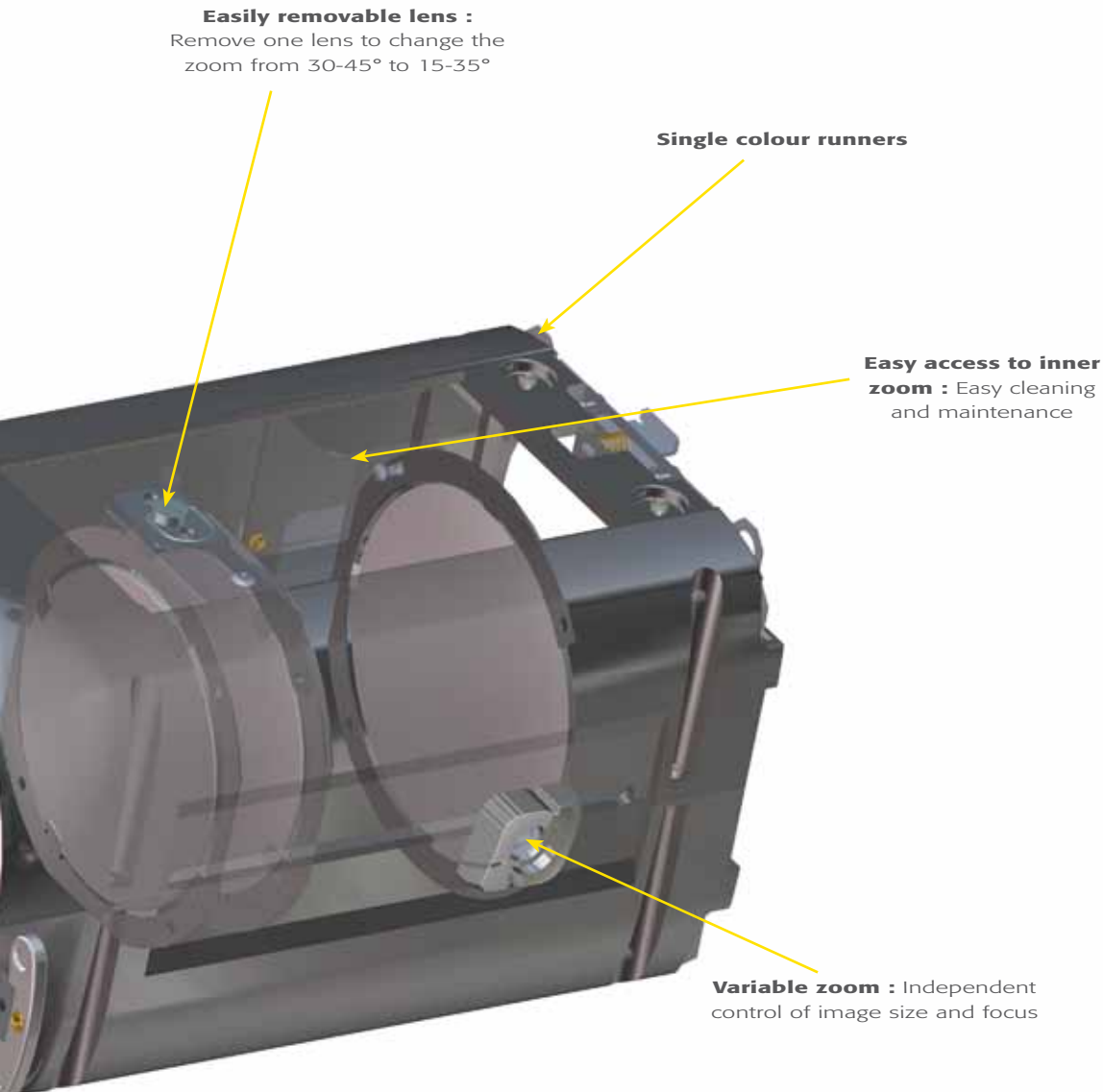
Tibo benefits from an outstanding unique design that allows two different zoom ranges in one single unit – from 15/35° to 30/45°. This extreme versatility means there is no need to purchase different fixtures, thereby saving money and storage space.



Additional features :

- **Bodywork: die-cast aluminium** (Easy access to all parts: easy cleaning, re-lamping and maintenance)
- **Captive knobs and handles:** additional security when working at height or in transit

TIBO RANGE OVERVIEW



”

‘Truly innovative’, ‘a particularly clever form of lighting’, ‘efficient’, ‘an excellent projection quality’. These are some of the words which we have been hearing since we launched the first Tibo fixtures onto the market. Entirely developed by Robert Juliat, Tibo presents a compact design and is extremely versatile. This range of profiles provides a cost-effective solution perfectly matching customers needs.

François JULIAT, Managing Director



LED



533
15/35° - 30/45°



533
White version
15/35° - 30/45°

TIBO 533

75 W LED

Tibo presents a new look in LED profile design: its compact, aesthetic appearance is only one of its many qualities.

Tibo combines a powerful, high-quality light source with an extremely low energy consumption (up to 35 projectors can be run off a single domestic power outlet 230V 16A) that make it a cost-effective, 'green' alternative. Its very low heat and UV emissions make Tibo LED ideal for use in listed venues, exhibitions, museums or when lighting valuable or light-sensitive objects.

Tibo LED is equipped with a separate power supply to ensure very fine dimming from 0 to 100% and has the option of wireless DMX control. Available in three colour temperatures, plus variable white, Tibo LED is designed to suit any application.

- Tibo profile range features (see pages 34 & 35)
- 75W high intensity LED array
- Double condenser optics
- Available in three colour temperatures : Warm White (3000K), Neutral White (4000K) and Cool White (6500K)
- Variable White model available ranging from 2700K to 5700K
- Lumen maintenance of greater than 70% after 50.000 hours*
- Separate flicker-free power supply with Neutrik® PowerCON TRUE1
- Power consumption: 90 W (sleep mode 5W)

(*) Manufacturer's data



TUNGSTEN

TIBO 503/513

300 / 500 / 600 / 650 W

Available with lamps ranging from 300 W to 650 W, the Tibo tungsten profile offers a performance unparalleled in such a compact unit. A new, exclusive ellipsoidal mirror designed by Robert Juliat's R&D department optimises the light output and ensures a high quality beam and precise gobo projection.

As with all Tibo profiles, Tibo tungsten has a 360° rotating body and a unique optical system which offers the choice of two zoom ranges (30°/45 and 15°/ 35°) within one single unit.

Double electrical protection (micro-switches) ensures safe use and maintenance which makes it ideal for use in school environments. Its compact size also makes it perfectly suited to museums, churches and all small venues.

Together these features make Tibo tungsten the ideal solution from a technical, aesthetic and economic point of view.

- Tibo profile range features (see pages 34 & 35)
- Ellipsoidal reflector
- Available in two versions :
 - GY9.5 socket for 300/500/650 W lamps
 - G9.5 socket for 600 W lamps GKV type (575 W lamps GLC type for the North American market)
- Access to the lamp secured by two safety switches
- Convection cooling



503
300/500/650 W (GY9,5)
15/35° - 30/45°



513
600 W (G9,5)
15/35° - 30/45°





DISCHARGE

TIBO 523

250 W HID

Tibo HID is a completely new tool for lighting professionals. Its C-DMT 250 W discharge source is extremely powerful yet housed in a very compact body.

It presents a cost-effective lighting solution offering good value for money by virtue of its long lamp life and lower maintenance costs.

An 'easy-to-integrate' fixture, Tibo HID is ideal for the projection of static images, architectural applications and showcasing buildings.

For applications which require intense, non-dimmable light output, the 523 is the unbeatable, powerful solution.



523
250 W (HID)

- Tibo profile range features (see pages 34 & 35)
- Ellipsoidal reflector
- Convection cooling
- 8.000 hr lamp life (CDM-T 250 W)
- Colour temperatures available in 3000K and 4200K
- Separate electronic ballast





Photo: Quizz 71, RTL Group (Belgium)

FOCUS ON TV STUDIO APPLICATIONS

Everyday, thousands of Robert Juliat profile spots, tungsten, discharge and LED, are used in many TV studios throughout the world. The arrival of the Robert Juliat LED Aledin profiles from 2010 was an immediate success with the trend continuing to accelerate rapidly (see page 23).



TV Lighting Designers use our profiles as key lights for several important reasons:

Controllability

Close-up shots require maximum light output, positioned to allow for camera angles and scenery placement, and at a low angle to avoid creating shadows on the facial features. Such limitations mean Fresnels are difficult to use: barn doors give poor control over beam size and shape and the spread of light differs with the zoom setting. Robert Juliat profiles, however, offer great light output together with precise control of beam dimensions and shape, making it easy to "isolate" the speaker with light, highlight his face from his surroundings and compensate for different skin tones.

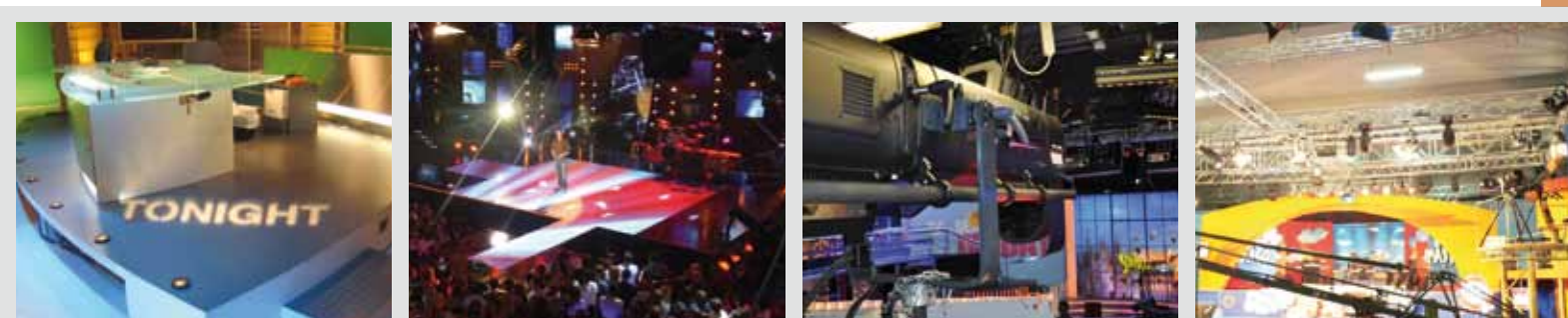
Quality of beam

Robert Juliat profiles generate a flat, even beam with no hot spot or chromatic diffraction which is vital under the close scrutiny of cameras. Perfect control of light intensity can be achieved with a tungsten fixture by broadening or narrowing the beam size using the zoom optics without affecting colour temperature. With LED light sources, colour temperature remains constant when dimming.

Painting a picture

Hard edges, harsh shadows and light intensity can be reduced, using frosted glass placed in the internal glass holder located within an RJ profile. This allows important smoothing of the light while the shape of face can be enhanced with the addition of a well-positioned fill light. Such control not only gives interesting contrast but also enables subtle, precise variations.

Information given by Jean HENNEQUIN, Head TV Lighting Designer at RTL Group, Belgium.



”

The brightness of the Lancelot was a deciding factor: as more than 2,700 units of 1200 W moving lights were used, it needed to cut through all this amount of light. The Lancelot is a well designed followspot with an excellent optical system – a high quality product giving excellent performance. Robert Juliat products are excellent!



Mr. Sha XIAOLAN (China)
Director of Lighting Design for the
2008 Beijing Olympics and Paralympics
Opening & Closing Ceremonies

FOLLOWSPOTS

INNOVATION WITH EXCELLENCE

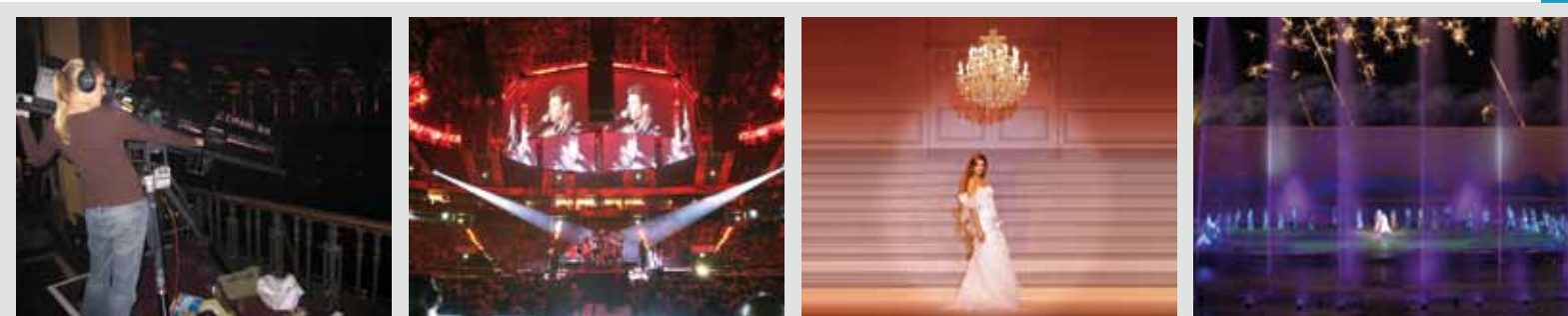
Since designing the first HMI followspot, Pixie, in 1975, Robert Juliat has become the preferred manufacturer for lighting designers and operators alike. To produce a powerful followspot is not a difficult task. To make a followspot with exceptional quality of beam, dimming ability, gobo projection, and an outstanding light output, all wrapped in an ergonomically pleasing package, is the real challenge and one in which only Robert Juliat has emerged as market leader.

Long considered the best followspots on the market, Robert Juliat followspots are used in every type of venues from the smallest cabaret to the largest stadium, for both touring and fixed shows throughout the world.

Opera houses love them for their superb dimming capabilities while rental houses benefit from a fast return on their investment. Equipment-sensitive studio environments appreciate the beam's flat-field with no hotspot.

Robert Juliat followspots are available in short or long throw versions and with different wattages and lamp types to suit every application. Condenser optics give a flat, even beam with optimum light output, and variable zoom optics maintain sharp focus at every beam angle.

Each Robert Juliat followspot comes with a full range of accessories and a wealth of ergonomic features for comfortable and efficient operation.



ULTRA COMPACT RANGE



CRICKET (1116)
10.5° - 22.5°

CRICKET

1000/1200 W TUNGSTEN

The smallest of the Robert Juliat followspot range, Cricket is a 1000/1200 W tungsten unit with the optical excellence of its larger counterparts. With its ultra compact dimensions and low power consumption, Cricket followspot is easy to use and can fit into the smallest of spaces. A 'push/pull' colour changer, 100% fully closing iris and an A-size gobo holder are provided as standard, forming a perfect introduction to Robert Juliat for discerning schools, amateur dramatics and smaller venues.

- Variable zoom optics
- Factory pre-set optical train requiring no adjustment of the lamp
- Fine balance
- Easy access to components
- Removable fully closing iris
- A-size glass and metal gobo holder



ULTRA COMPACT RANGE

BUXIE

575 W MSD

Buxie is the little spot with the powerful punch. The electronic PSU is quiet under performance conditions and is fixed to the yoke for space saving. The 2,000-hour, 575W MSD HR lamp, lends the user the confidence of hot re-strike for rapid action following any unexpected power failure. Its compact dimensions are matched by its compact price, making it perfect in places where space is at a premium or as a truss spot.

- Variable zoom optics
- Factory pre-set optical train requiring no adjustment of the lamp
- Electronic PSU
- Hot restrike lamp
- Long lamp life (2000h)
- Smooth dimmer shutter
- Fine balance
- Easy access to components
- Removable fully closing iris
- A-size glass and metal gobo holder



BUXIE (1124)
10.5° - 22.5°



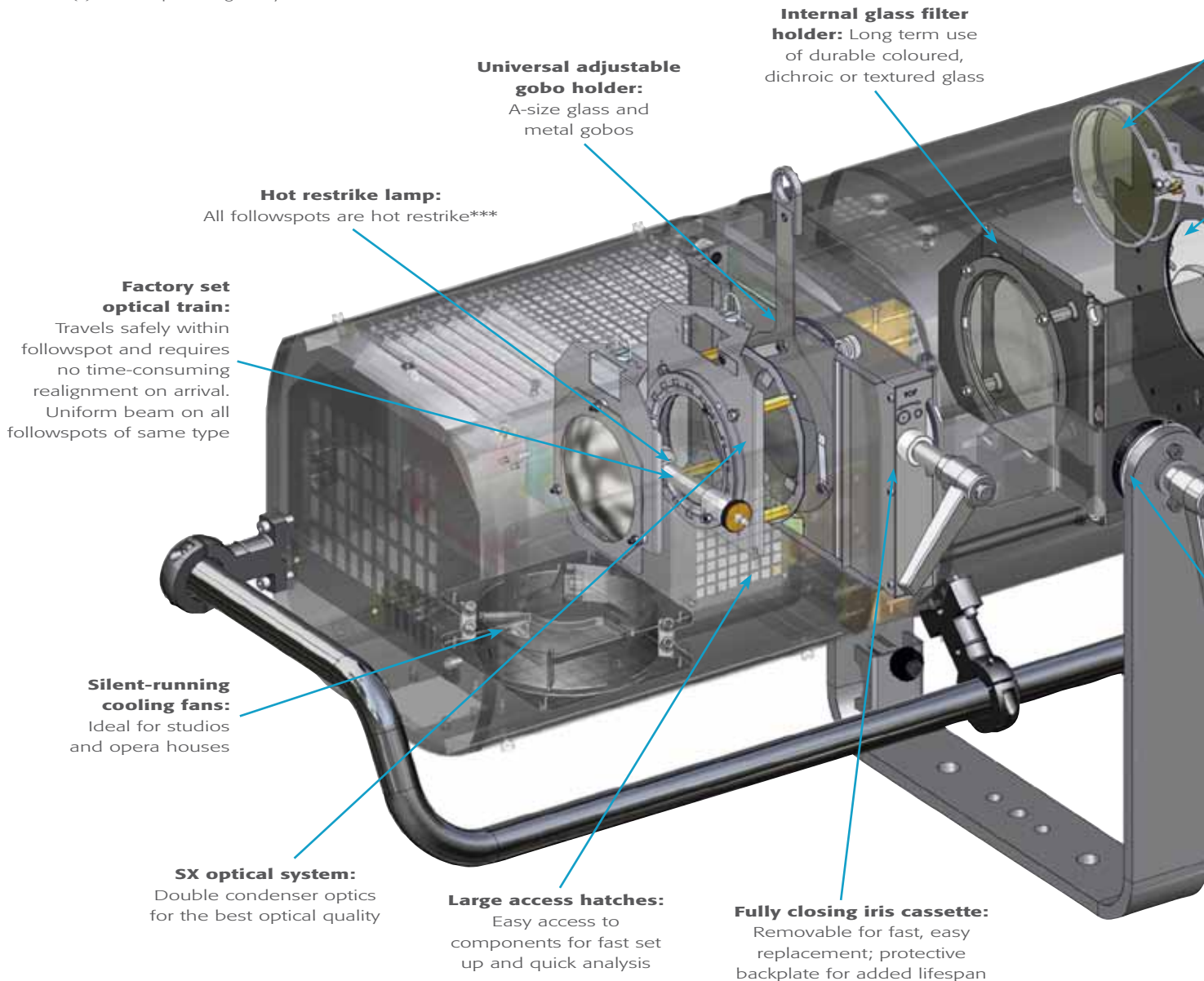
COMPACT RANGE

TRUSS SPOTS

The complete Ultra Compact range and all short-throw versions of the Compact range are easily adapted for use as truss spots. When mounted on the dedicated truss mount stand (JPP) with an adjustable yoke*, each spot presents the perfect balance and projection angle for this application. The separate PSU can be mounted remotely from the followspot and, without the excess weight of a built-in PSU, the balance in truss position remains unaffected. Colour changers are available in a choice

of two kinds to suit available space. The 'push/pull' colour changer unit is positioned horizontally and allows the simultaneous use of multiple filters and is useful for overhead use. The 'boomerang' version automatically self-cancels each filter for speed of use and sits vertically beneath the followspot. Compact, RJ truss spots are ideal for use in TV and film studios, theatres, at concerts and live events or anywhere you need a high quality, overhead solution.

(*) On compact range only

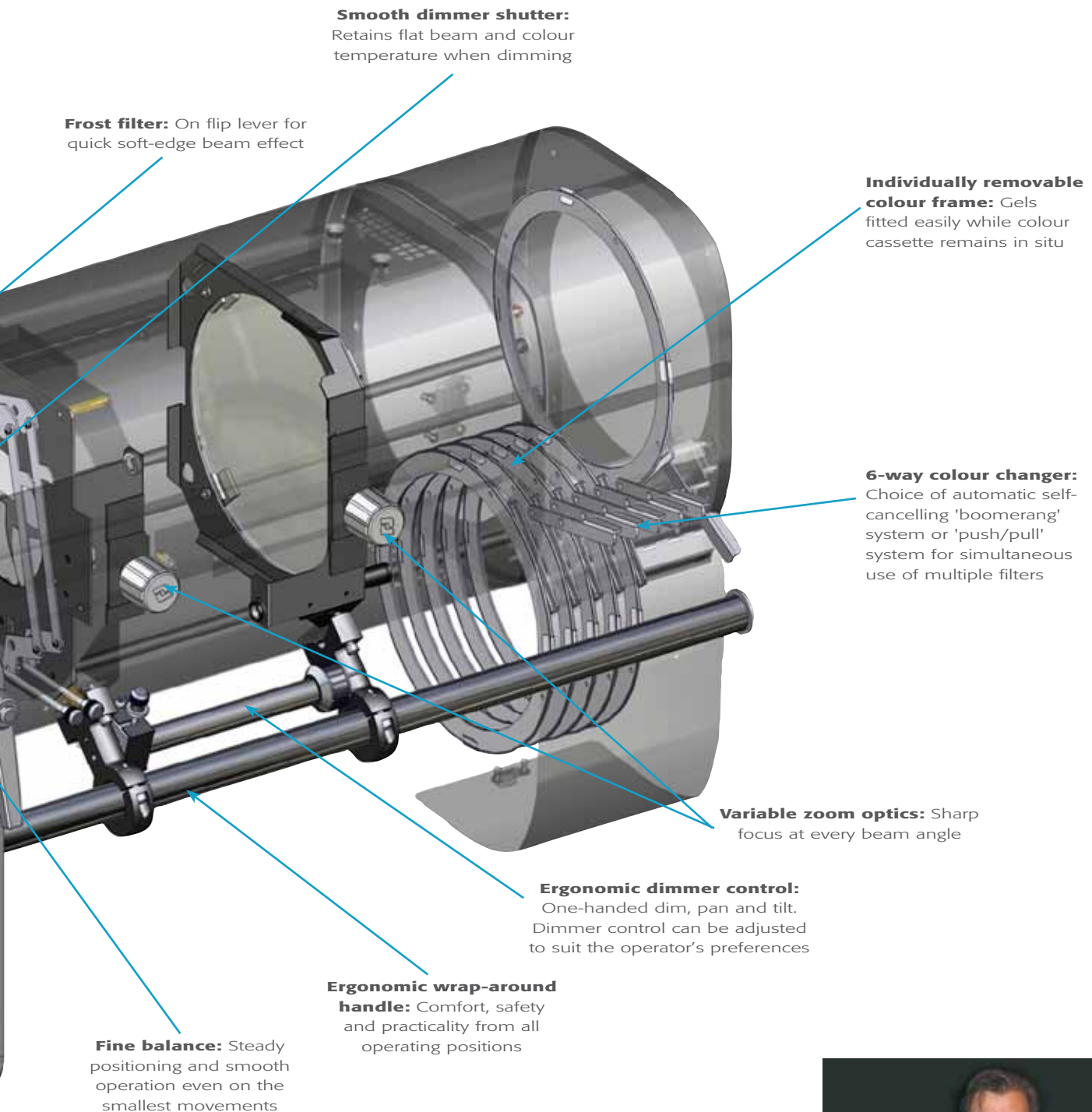


And also:

- **Remote DMX-control**:** lamp ignition (for Flo and Victor only) and dimming control synchronised remotely with pinpoint accuracy (Lucy, Super Korrigan, Flo, Victor). Master Control (see page 52)
- **Horizontal chopper**:** for masking control in TV studios and on wide stages
- **Adjustable yoke**:** for optimum overhead positioning
- **Stand:** Perfectly weighted for maximum stability with smooth rotation for optimum performance. Easy set up; triple safety system for extra security
- **Easy servicing:** Easily removable condenser lenses and reflector holders
- **Separate PSU:** compact for easy handling and rapid maintenance

(**) Optional (***) Except Manon & Topaze

OVERVIEW



”

For me, the best followspots are Robert Juliats. Reliable and powerful, they are a guarantee for success. The 8 RJ spots I used on my latest tour were the final touch to my design.

Yves AUCOIN (Canada),
Lighting Designer, Winner of the
Best Lighting Designer Award - LDI 2006



COMPACT RANGE



GINGER (1417)*
13° - 24°



ALEX (1117)
7° - 14.5°

GINGER AND ALEX

2000/2500 W TUNGSTEN

Ginger and Alex tungsten followspots are ideal for television studios, opera houses and ballets.

The mechanical dimmer shutter ensures a constant colour temperature is maintained during dimming while retaining the flat beam which is so important when using sensitive camera equipment. The tungsten lamp also ensures these spots blend well with conventional theatre lighting.

- Compact range features (see pages 46 & 47)
- G22 socket locking system exclusive to Robert Juliat
- Local ON/OFF switch
- Dimmer shutter for constant colour temperature when dimming

(*) shown with optional adjustable yoke



COMPACT RANGE

MANON AND TOPAZE

1200 W MSD

Manon and Topaze 1200 MSD followspots combine a powerful output within an economical package, both in initial expenditure and running costs.

Manon and Topaze use a long lamp life and provide a cost-effective solution for mid-size theatres, shows and rental companies alike. The full range of features on these units brings Robert Juliat quality within reach of all budgets.

- Compact range features (see pages 46 & 47)
- Cold strike lamp
- Long lamp life (3000h)
- G22 socket locking system exclusive to Robert Juliat
- Separate magnetic PSU

(*) shown with optional adjustable yoke



MANON (1419)*
13° - 24°



TOPAZE (1119)
7° - 14.5°



COMPACT RANGE



LUCY (1449)*
13° - 24°



SUPER KORRIGAN (1149)
7° - 14.5°

**Lighting Product
of the Year**



LUCY AND SUPER KORRIGAN

1200 W HMI

The award-winning Super Korrigan and Lucy offer a light output which out-performs Xenon followspots of higher wattage, along with the ergonomic features which make Robert Juliat the followspots of choice. Used widely in theatre environments where the combination of a high output, instantaneous re-ignition and compact dimensions is a real advantage, these units also benefit from silent magnetic PSU.

These models offer the option of DMX dimming control for perfect synchronisation of fades and blackouts.

- Compact range features (see pages 46 & 47)
- Hot restrike lamp
- Separate magnetic PSU
- Silent running cooling fan
- Safety switch for secure access to the lamp
- Optional DMX-control of motorised dimmer shutter with 24V and DMX output connection for front colour changer

(*) shown with optional adjustable yoke



COMPACT RANGE

FLO AND VICTOR

1800 W MSR

With a lamp designed for Robert Juliat in partnership with Philips Lighting, Flo and Victor are the first 1800 W followspots on the market. Each gives a light output to rival mid-throw 2500 W followspots with similar beam angles, but in a unit as compact as a 1200 W.

With a combination of compact dimensions, high output, hot restrike lamp and DMX-control in one product, they are perfect for rental companies. It has also made them the new benchmark followspot for large theatres, TV studios, fashion shows, concerts and touring.

Both versions can be used in front-of-house, truss and backlight positions.

- Compact range features (see pages 46 & 47)
- Hot restrike lamp
- Separate flicker-free electronic PSU
- Silent running cooling fan
- Safety switch for secure access to the lamp
- Optional DMX-control of motorised dimmer shutter and lamp ignition, with 24V and DMX output connection for front colour changer

(*) shown with optional adjustable yoke



FLO (1459)*
13° - 24°



VICTOR (1159)
7° - 14.5°

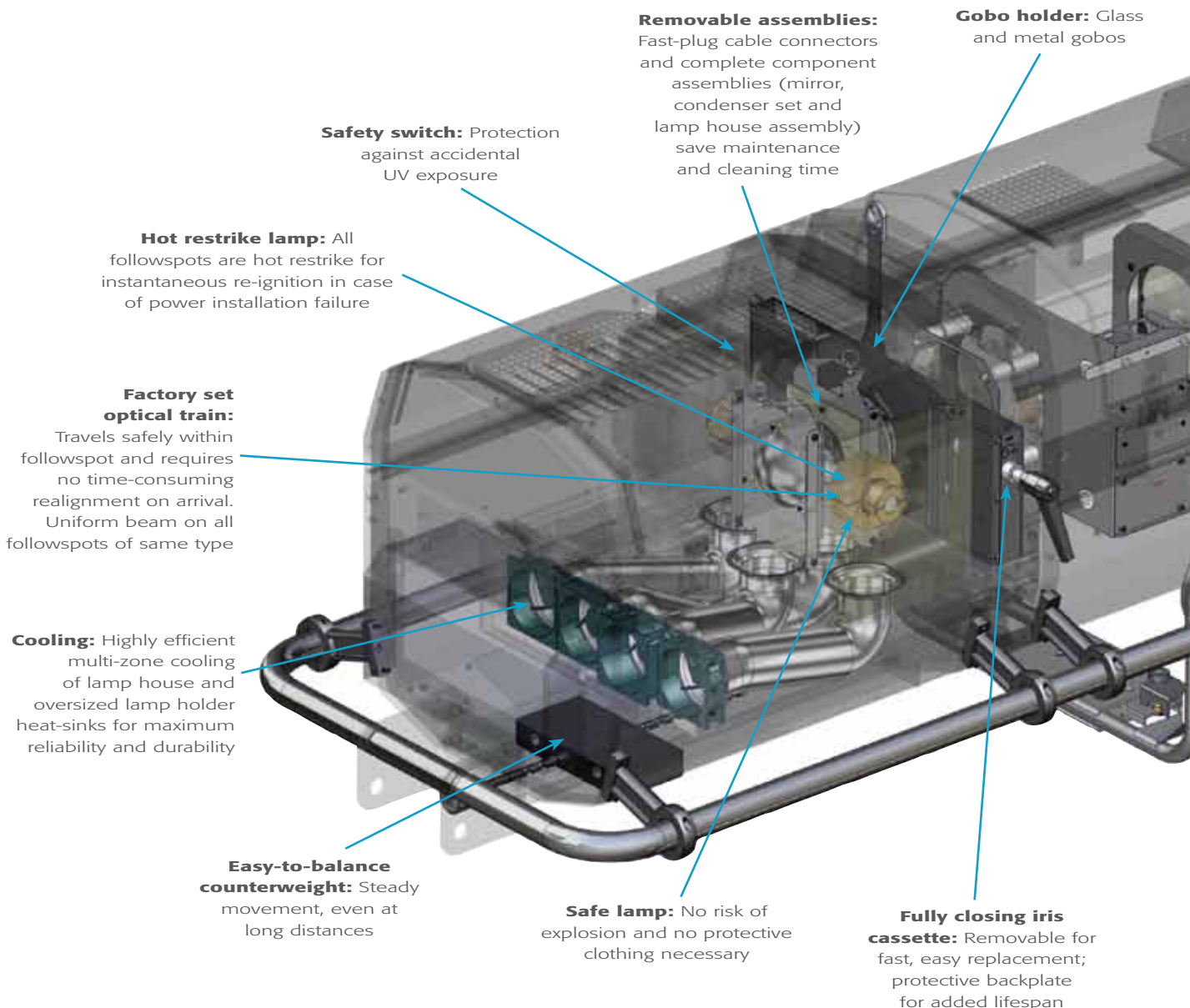


GRAND RANGE

MASTER CONTROL

To aid lighting designers in co-ordinating the appearance of each followspot at all times, Robert Juliat have introduced a two-channel Master Control on its motorised dimmer shutter. This enables the designer to achieve complete synchronisation of fades on each followspot directly from the console. The Master Control also helps the designer to set limits on beam intensity, allowing the followspot operator individual control over

intensity, but within the upper and lower parameters set by the lighting desk. For instance, if channel 1 is at 20%, and channel 2 at 80%, the operator will be able to action the dimmer shutter only between 20% and 80%. This function is indispensable to synchronise both timing and intensity on big events and TV shows and is unique to Robert Juliat motorised followspots.

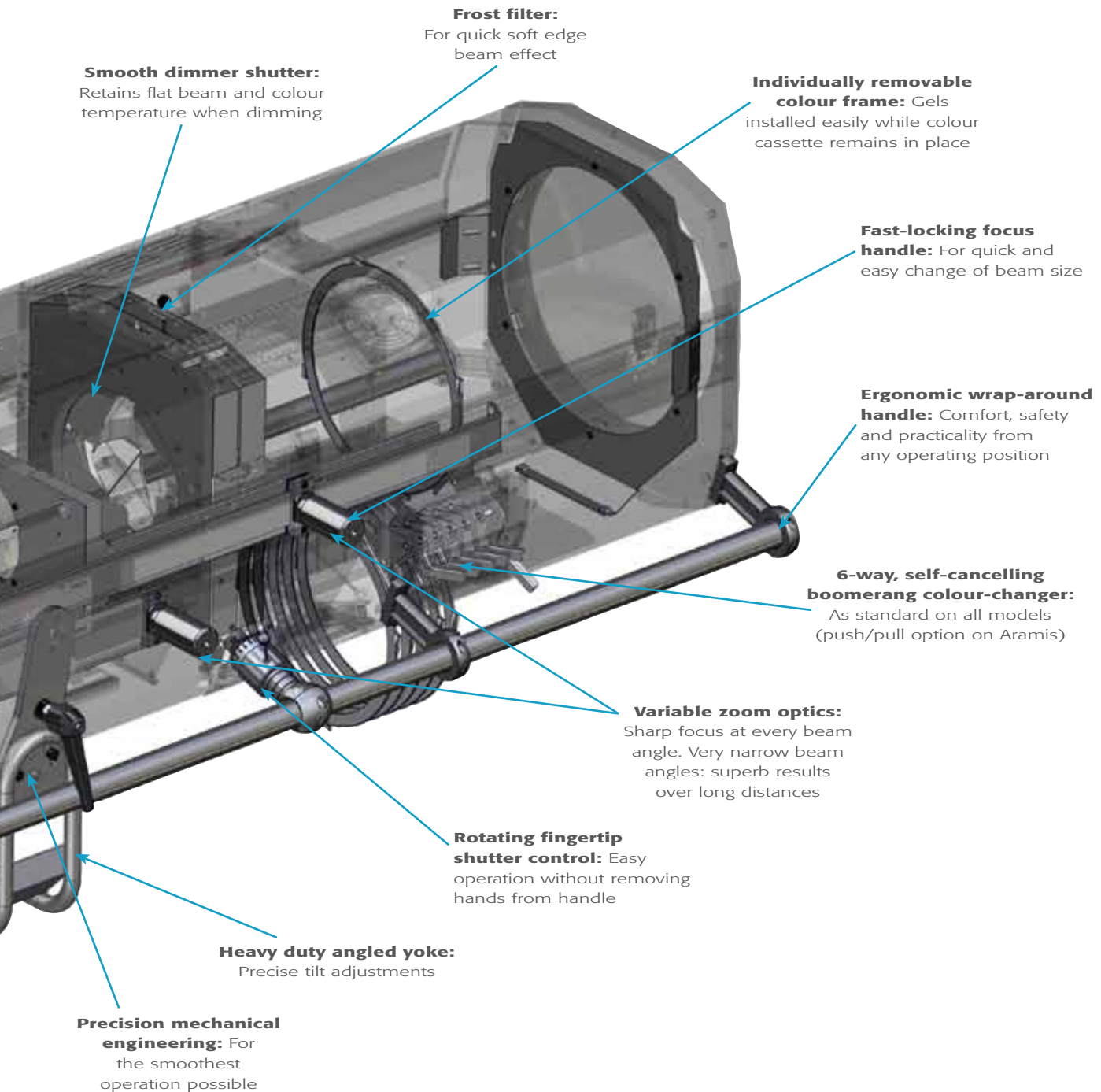


And also:

- **Separate PSU:** balance remains unaffected, easy maintenance and quick replacement. Choice of magnetic or flicker-free electronic PSU
- **Remote DMX-control*:** effects synchronising remotely with pinpoint accuracy
- **Horizontal chopper*:** masking control in TV studios and on wide stages**
- **Large access hatches:** easy access to components for fast set up, quick analysis and easy maintenance
- **Stand:** Perfectly weighted for maximum stability with smooth rotation for optimum performance. Easy set up; triple safety system for extra security

(*) Optional (**) Except Lancelot

OVERVIEW



”

I am a big RJ fan. I love the RJ followspots. Going into a large venue means you need a followspot that can cut, but with the finesse and beauty of a smaller fixture. The RJ Lancelot and Cyrano do just that and are easy for the operator too. For me, this means the final product is the best it can be!

Paul COLLISON (Australia),
TV Lighting Designer



GRAND RANGE



ARAMIS (1013+)
4.5° - 8°

ARAMIS

2500 W HMI

Aramis has long been the favoured followspot for opera houses and big musicals. Used also in concerts and on tour, Aramis is constructed to withstand the rigours of touring and is well suited to the long throws of large venues, in- and outdoors. The option of a 'push/pull' or 'boomerang' colour changer means it can be tailored to suit the available space in each venue, while its frost filter on flip lever allows fast, simple 'focus' changes.

- Grand range features (see pages 52 & 53)
- Quartz condenser lens for dazzling light output and perfectly even beam
- Choice of magnetic or flicker-free electronic PSU
- Silent cooling fan
- Choice of 6-way 'boomerang' or 'push/pull' colour changer
- Frost filter and colour correction filter (CTO) on flip levers
- Optional DMX-control of motorised dimmer shutter and lamp ignition



GRAND RANGE

CYRANO

2500 W HMI

Cyrano does all the things Aramis can do – and a little bit more!

The narrower beam angle makes it perfect for the really long throw distances found in the largest theatres and stadia while its glass progressive frost filter and dark blue dichroic filter give even more subtle design possibilities. The progressive frost filter, like the motorised dimmer shutter and the lamp on/off function, can be DMX-controlled for perfect synchronisation.

Its unique dimmer shutter gives Cyrano a superb dimming ability – surpassing even that of Aramis – making it indispensable for opera houses and large TV shows.

- Grand range features (see pages 52 & 53)
- Quartz condenser lens for dazzling light output and perfectly even beam
- Choice of magnetic or flicker-free electronic PSU
- Silent cooling fan
- Fan-cooled, 6-way, self-cancelling 'boomerang' colour-changer
- Progressive frost filter
- Colour correction (CTO), dark blue dichroic and spare filter frame on flip levers
- Optional DMX-control of motorised dimmer shutter, progressive frost and lamp ignition



CYRANO (1015)
3° - 8°

**Lighting Product
of the Year**





GRAND RANGE

LANCELOT

4000 W HTI

Designed to the same high standards as the rest of Robert Juliat's followspot family, the Lancelot's innovative optical train improves on the power and very long throw capabilities of its smaller counterparts.

Lancelot is now the benchmark fixture for big events and concerts where its innovative technology, outstanding light output and extremely flat beam set new standards for both followspots and automated lighting products.

Indeed, Lancelot is not just another very long-throw followspot. An unequalled range of modular accessories, manual or motorised, can be added to make it the most powerful long-throw effects projector ever built (see details on next page).

- Grand range features (see pages 52 & 53)
- Very narrow variable zoom 2° - 5°
- New high performance 6-lens optical train reduces the size of the unit and enhances definition
- Double quartz condenser system for dazzling light output and perfectly even beam
- Choice of magnetic or flicker-free electronic PSU
- Fan-cooled, 6-way, self-cancelling 'boomerang' colour-changer
- Range of dedicated manual and DMX-controlled accessories



LANCELOT (1021)
2° - 5°



”

If you have a stadium show or other long throw application this is the light you want. I started being able to read the gobo starting at 6:00 PM despite the sun being directly behind the spot position, 1,200 feet away!

David GRUBER (USA),
Lighting Project Manager on the
27th Burton US Open Snowboarding Championship

Colour mixing by Chromix

Chromix enables the creation of countless progressive colour effects using only gel filters! Progressive colour transitions, colour correction, colour mixing, frost or diffusion effects can be obtained producing a wide range of colour options that blend with conventional lighting colour palettes.

With as many effects as there are gel options on the market, Chromix offers infinite creative possibilities for lighting designers.

One module creates smooth transitions directly from 'open white' to a colour or effect with no intrusive frame edge.

Two modules enable graduated changes from one colour or effect to another with no visible 'flick' or blackout.

Three modules, fitted with the 3 primary colours, create an infinite colour palette for seamless colour mixing.

GRAND RANGE

LANCELOT ACCESSORIES

Lancelot is the first truly modular, long-throw effects projector with a throw distance in excess of 500m (1,600 ft).

It can be completely tailored to individual needs using its plug-and-play accessories. Accessories can be operated locally, manually or remotely via DMX for perfectly synchronised effects where all must perform in unison.

Personalised parameters can be set and feedback information from the modules monitored via Lancelot's control board.

Available accessories :

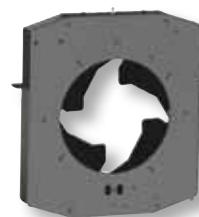
- 'Noria' indexable 6-way gobo wheels with rotating, indexable A-size gobos.
- 100% closing iris with protective back plate for longer life.
- Dimmer shutter for smooth fades, even at slow speeds and low light levels.
- Up to 5 Chromix 4-blade gel cassettes, giving smooth transitional cross-fades with no open frame and an infinite variety of colours and effects (see left page).



NORIA



IRIS



DIMMER SHUTTER



CHROMIX





Photo: Projections made with 4 x 930 SNX profile spots - Image size: 18m x 10m each

FOCUS ON ARCHITECTURAL APPLICATIONS

Architectural lighting frequently requires high quality image projection with a high light output.

Robert Juliat profiles meet these criteria and are among the best gobo projectors in the world – both in – and outdoors. The flat field and clean light output ensures both metal and glass gobos are projected crisply across the full width of the beam – at every beam angle. Zoom lenses allow gobo images to be re-sized quickly and focus to be fine-tuned. Shutter and gobo can be in focus simultaneously, producing the clean masking effects which are essential in architectural environments.

Today, exterior projection is used, not only in decorative architectural lighting, but also for advertising and promotional applications.

As a consequence, a number of high profile brands have taken advantage of this stunning form of advertising using Robert Juliat for top quality projection, while venues and prime-located buildings have been quick to recognise the valuable revenue that can be earned from renting out prominent sites for projected advertising. This fast return on investment also makes them particularly interesting for rental companies.

Discharge profiles, such as the 575W MSR Quincy, are ideal for corporate work, projecting high colour temperature custom images with true colour rendition of logos.

For large outdoor displays such as son-et-lumiere and festivals which require a high light output over long throw distances, Robert Juliat D'Artagnan, Cyrano and Lancelot can project images up to 500m (1,600 ft) with outstanding clarity and impact.

Tibo's compact form and cool running LEDs make them ideal for discreet use in listed venues, exhibitions, museums or when lighting valuable or light-sensitive objects.





Photo: 960 Solo on Tunnhäuser, Geneva Grand Theatre (Switzerland)

AMBIANCE LIGHTING CLASSIC PRODUCTS WITH THE ADDED RJ TOUCH !

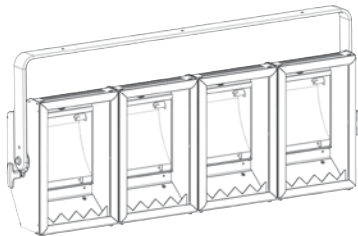
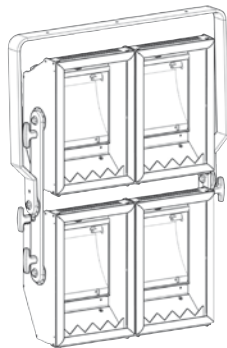
At the request of end users, Robert Juliat has transformed a series of simple products into a bespoke range of lighting tools by adding that special Robert Juliat touch. Since the beginning, Robert Juliat's special fixtures have increased in popularity and been adopted into its standard range of products. Today they are among some of the best sellers at Robert Juliat.

Thanks to the Digitour Fluo dimmer pack and its electronic VIP ballast, the dimming quality of Solo and Quadri dimmable fluorescents is so fine that there are no real alternatives for the opera and studio markets.

A redesigned Horus cyclorama fixture has returned to the catalogue at the express demand of our customers who loved its performance. Now exhibiting a wealth of exciting updated features, Horus is the perfect complement to the Robert Juliat range of luminaires.

Robert Juliat has always been atuned to its customers' needs and continues to develop products which serve both the individual and the broader market.





HORUS

625/1000/1250 W
CYCLIGHT

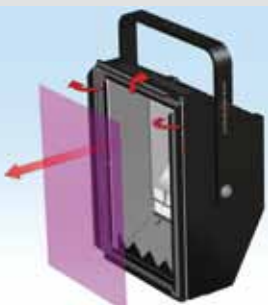
Due to great demand, Robert Juliat has restored its famous cyclight to the catalogue.

While retaining the features which contributed to its success, namely its light distribution and beam angle, new exclusive features have been added.

Its new gel holder system enables rapid colour changing, without disturbing the fixture's settings and, as an advantage over similar products, Horus has been specially designed to perform without light spill.

The unique RJ handle provides optimum grip during focusing and is designed for easy access to the power cable connector. Cable changing can now be done in seconds.

- 625W/1000W/1250W tungsten lamp options
- Multiple unit configurations: use as ground row or in hanging position (1x4 in-line or 2x2 square)
- Standard hanging bracket or optional mini-bracket
- Rapid gel changing
- 2 safety switches for secure access to the lamp
- Unique handle design for fast cable changing
- Optional individual barn door (horizontal or vertical)



SOLO AND QUADRI

DIMMABLE FLUORESCENT LIGHTS

Robert Juliat's Solo and Quadri dimmable fluorescents offer a unique system – with no equivalent on the market – of smooth dimming from 0% to 100%. Enhanced by the outstanding 7,500-step smoothing function of the Digitour fluo dimmer pack, there is no flicker or unsightly cut out, even at low levels. This makes them popular in the demanding environments of opera house and studio. They are equally at home as auditorium and foyer lighting.

Robert Juliat fluolights provide the answer, in both subtle and dramatic form, to cyclorama lighting, concealed scenery lighting and proscenium highlights, in addition to the traditional use as specials and practicals.

- Fluorescent dimming from 0% to 100%
- High quality electronic ballast (T8)
- 2 configurations: one channel, single colour (Solo) or 4-channel colour-mixing (Quadri)
- Outstanding results in conjunction with Digitour Fluo dimmer pack
- Easy daisy chain connection system
- Dedicated hanging and coupling accessories available



SOLO



QUADRI

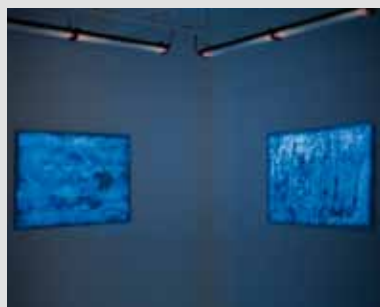




Photo: JM SON (France)

DIMMERS

QUALITY BORN OF SIMPLICITY; REPUTATION FROM RELIABILITY

For venues which want dimming that can be relied upon, with 'no frills' technology, Robert Juliat dimmers are the answer. By design, all components – thyristors, SCRs, cooling system, chokes – are oversized and of the highest quality. This guarantees all channels can run at full power at all times, yet still remain well within capacity, so ensuring complete reliability under show conditions.

The Robert Juliat proprietary software is common to all products making them fully compatible with each other, be it Tivoli, Digitour or Digirack.

Dimmer types can be mixed within a single venue, yet still benefit from the same factory-set curves and high-resolution, 7,500-step smoothing feature in each model. All models exhibit the same characteristics so technicians do not have to learn different operating modes for each.



**DIGIRACK****DIGIFLIGHT**

DIGIRACK / DIGIFLIGHT

RACK MOUNTED DIMMERS

The Robert Juliat Digirack is the ideal product for astute venues to combine their fixed dimming system with portable touring units.

Each Digirack holds up to ten Digipack modules – each with its own control PCB – which can be simply taken from a fixed installation and placed into Digiflight touring racks for immediate plug-and-go use.

Output channels can be mixed in any configuration.

Digirack is the ideal solution for mid to large venues, production houses, touring shows and festivals.

- Up to 10 independent modules each with their own control PCB and DMX connections
- True 16A (3.7kW) and 25A (5.7kW) channels available
- Connections on internal breakers or through front panel sockets
- Same modules can be used either in cabinet for permanent use or in flight-cases for touring shows and festivals
- DMX 512, 0/+10V, and local control
- Optional LCD display for parameters settings (patch, light curves, limits, test functions...)
- High resolution smoothing function (7,500 steps)
- Single pole and neutral breakers on each channel
- Choice of RCD breaker options for full electrical protection
- Various options available



TIVOLI

COMPACT WALL-MOUNTED CABINETS

This compact wall-mounted cabinet is available in different configurations and options. Easy access terminals save both time and money when cabling.

All channels can be used at full power simultaneously, with cooling controlled by variable speed fans for silent operation.

An automatic smoothing function is incorporated into Tivoli software which dramatically improves performance by increasing the digital control resolution from 256 steps to 7,500 steps through interpolation.

Ideal for small to mid size venues, museums and shopping malls.

- 12x25A, 12x16A+6x25A and 24x16A configurations available
- Connections on internal breakers or through front panel sockets
- DMX 512, 0/+10V, Sub-D25 external connectors and local control
- 150 internal cues & 250 cross fades remote controlled for architectural applications
- LCD display for parameters settings (patch, light curves, limits, test functions...)
- High resolution smoothing function (7,500 steps)
- Overvoltage detection and phase voltage display
- Single pole and neutral breakers on each channel
- Choice of RCD breaker options for full electrical protection
- Various options available



TIVOLI P24



TIVOLI B24





Photo : Queen's Diamond Jubilee concert, UK, Durham Marengi lighting conception © Jennie Marengi

DIGITOUR

COMPACT MOBILE DIMMERS

Digitour 6 & Digitour 6S bring the functionality of Tivoli software into a compact, portable package.

The mobile nature of this unit, along with its compact dimensions and choice of connections, makes it ideal for events, corporate entertainment, temporary installations, architectural applications, or in multi-purpose venues. Positioning can be free-standing or rigged by means of an optional hanging yoke.

Digitour 6S's automatic mode allows the execution of sequences programmed into the unit via the keyboard without the aid of a lighting desk, with sequences set to trigger on start up or via local or external control.

- Compact size
- 6 x 16A or 3 x 25A configurations available
- DMX 512, 0/+10V, and local control
- LED display (version 6) or LCD display (version 6S) for parameters settings (patch, light curves, limits, test functions ...)
- 120 internal cues & 190 cross fades remote controlled for stand alone and architectural applications (6S only)
- High resolution smoothing function (7,500 steps)
- Bipolar breakers on each channel
- Choice of breaker options for full electrical protection
- Optional hanging yoke
- Fluorescent or Lectriflex multicable output



DIGITOUR 6S

6 x 16A NF sockets
with fluorescent option



DIGITOUR 6S

6 x 16A CE form sockets



RANGE OVERVIEW

• SINGLE LENS LUMINAIRES

Source	Range	Lens Ø	Lens			
			Plano-convex	Pebble-convex	Fresnel	
LED	75 W	TIBO	130 mm	/	/	535
	150 W	ZEP	200 mm	/	/	340LF
Tungsten	300/500/650 W	TIBO	130 mm	/	/	505
	600 W	TIBO	130 mm	/	/	515
	1000 W	LUTIN*	150 mm	306LPC	306LPB	306LF
	1000 / 1200 W	310H	200 mm	310HPC	310HPB	310HF
	2000 / 2500 W	329H	200 mm	329HPC	329HPB	329HF
	2000 / 2500 W	CIN'K**	250 mm	/	/	325LF
Discharge	5000 W	CIN'K**	250 mm	/	/	350LF / 350LV***
	250 W CS	TIBO	130 mm	/	/	525
	1200 W CS	CIN'K**	250 mm	/	/	312LF
	2500 W HR	CIN'K**	250 mm	/	/	326LFV***

CS = Cold Strike / HR= Hot Restrike

(*) Lutin = interchangeable lenses

(**) Cin'k = interchangeable lamp bases

(***) With fan-cooled front cassette

• PROFILE SPOTS

Source	Range	Zoom			
		Wide	Middle	Narrow	Very Narrow
LED	75 W	TIBO	533 15/45°		
	150 W	ZEP	643SX 28/54°	644SX 16/35°	641SX 11/26°
Tungsten	300/500/650 W	TIBO	503 15/45°		
	600 W	TIBO	513 15/45°		
	1000 / 1200 W	600SX	613SX 28/54°	614SX 16/35°	611SX 11/26°
	2000 / 2500 W	700SX	713SX2 29/50°	714SX2 15/40°	710SX2 10/25°
Discharge	250 W CS	TIBO	523 15/45°		
	575 W HR	QUINCY	423SX 28/54°	424SX 16/35°	421SX 11/26°
	2500 W HR	D'ARTAGNAN	933SNX 29/50°	934SNX 16/38°	930SNX 10/25°

CS = Cold Strike / HR= Hot Restrike

Further information on : www.robertjuliati.com

FOLLOWSPOTS

	Source	Magnetic PSU	Electronic PSU	DMX dimmer shutter option	Ultra compact range	Compact range		Grand range	
						Wide	Narrow		
Tungsten	1000 / 1200 W	-	-		1116 Cricket 10.5/22.5°				
	2000 / 2500 W	-	-			1417 Ginger 13/24°	1117 Alex 7/14.5°		
Discharge	575 W HR		●		1124 Buxie 10.5/22.5°				
	1200 W CS	●				1419 Manon 13/24°	1119 Topaze 7/14.5°		
	1200 W HR	●		●		1449 Lucy 13/24°	1149 Super Korrigan 7/14.5°		
	1800 W HR		●	●		1459 Flo 13/24°	1159 Victor 7/14.5°		
	2500 W HR	●	●	●				1013+ Aramis 4.5/8°	1015 Cyrano 3/8°
	4000 W HR	●	●	●				1020 Lancelot 2/5°	

CS = Cold Strike / HR = Hot Restrike

Robert Juliat's photometrics

Robert Juliat has proven photometrics which do not rely upon taking readings from the brightest part of the hot spot and under falsely favourable conditions. The extremely flat field beam of a Robert Juliat fixture ensures that the full amount of light is being used to maximum efficiency across the full diameter of the field – giving the best quality of light, for the widest variety of use.

Robert Juliat views the work of each lighting designer with the greatest respect and therefore prefers to answer your queries on a case by case basis. This way we can guarantee you accurate information suited to your purpose rather than have you rely on a table of general statistics.



Photo: Holiday on Ice

RANGE CHARACTERISTICS - ACCESSORIES

• SINGLE LENS LUMINAIRES

STANDARD VERSIONS

	Model	Range	Characteristics									
			Lens	Lens Ø	Power	Voltage	Socket	PSU				Lamp ref.
								Type	Hot restrike	DMX ignition control	PSU position	
LED	535	Tibo	Fresnel	130 mm	75 W	90 ---> 264 V 50/60 Hz	-	Electronic	Yes	●	Yoke	WW (3000K) / NW (4000K) / CW (6500K) / VW (2700K to 5700K)
	340LF	Zep	Fresnel	200 mm	150 W	90 ---> 264 V 50/60 Hz	-	Electronic	Yes	●	Internal	WW (3200K) / CW (6000K)
Tungsten	505	Tibo	Fresnel	130 mm	300/500/650 W	230 V 50 Hz	G9.5	-	-	-	-	CP81 / CP82 / CP89 / T27 M40
	515	Tibo	Fresnel	130 mm	600 W	230 V 50 Hz	G9.5	-	-	-	-	GKV / GLB
	306LF	Lutin	Fresnel	150 mm	1000 W	230 V 50 Hz	GX9.5	-	-	-	-	CP70 / T19
	306LPB	Lutin	Pebble convex	150 mm	1000 W	230 V 50 Hz	GX9.5	-	-	-	-	CP70 / T19
	306LPC	Lutin	Plano convex	150 mm	1000 W	230 V 50 Hz	GX9.5	-	-	-	-	CP70 / T19
	310HF	310H	Fresnel	200 mm	1000/1200 W	230 V 50 Hz	GX9.5	-	-	-	-	CP70 / T19 / CP90 / T29
	310HPB	310H	Pebble convex	200 mm	1000/1200 W	230 V 50 Hz	GX9.5	-	-	-	-	CP70 / T19 / CP90 / T29
	310HPC	310H	Plano convex	200 mm	1000/1200 W	230 V 50 Hz	GX9.5	-	-	-	-	CP70 / T19 / CP90 / T29
	329HF	329H	Fresnel	200 mm	2000/2500 W	230 V 50 Hz	G22	-	-	-	-	CP91 / CP92
	329HPB	329H	Pebble convex	200 mm	2000/2500 W	230 V 50 Hz	G22	-	-	-	-	CP91 / CP92
	329HPC	329H	Plano convex	200 mm	2000/2500 W	230 V 50 Hz	G22	-	-	-	-	CP91 / CP92
	325LF	CIN'K	Fresnel	250 mm	2000/2500 W	230 V 50 Hz	G22	-	-	-	-	CP91 / CP92
	350LF	CIN'K	Fresnel	250 mm	5000 W	230 V 50 Hz	G38	-	-	-	-	CP85 (CP29)
Discharge	525	CIN'K	Fresnel	130 mm	250 W	90 ---> 264 V 50/60 Hz	G 12	Electronic	No		Yoke	CDM-T
	312LF	CIN'K	Fresnel	250 mm	1200 W	230-245 V 50 Hz / 208 V 60 Hz	G22	Magnetic	No		Separate	MSD / MSR / CSR SE / HSR / USR SE
	326LFV	CIN'K	Fresnel	250 mm	2500 W	230-245 V 50 Hz / 208 V 60 Hz	G38	Magnetic	Yes	○	Separate	MSR HR / HMI SE / CSR SEHR / USR SE
	326LFVE	CIN'K	Fresnel	250 mm	2500 W	230-245 V 50 Hz / 208 V 60 Hz	G38	Electronic	Yes		Separate	MSR HR / HMI SE / CSR SEHR / USR SE

NORTH AMERICAN VERSIONS

	Model	Range	Characteristics									
			Lens	Lens Ø	Power	Voltage	Socket	PSU				Lamp ref.
								Type	Hot restrike	DMX ignition control	PSU position	
LED	535C	Tibo	Fresnel	5"	75 W	90 ---> 264 V 50/60 Hz	-	Electronic	Yes	●	Yoke	WW (3000K) / NW (4000K) / CW (6500K) / VW (2700K to 5700K)
	340LF	Zep	Fresnel	8"	150 W	90 ---> 264 V 50/60 Hz	-	Electronic	Yes	●	Internal	WW (3200K) / CW (6000K)
Tungsten	505C	Tibo	Fresnel	5"	300/500/650 W	120 V 60 Hz	G9.5	-	-	-	-	FKW / FRG / FRK
	515C	Tibo	Fresnel	5"	575 W	120 V 60 Hz	G9.5	-	-	-	-	GLA / GLC
	310CHF	310H	Fresnel	8"	1000/1200 W	120 V 60 Hz	GX9.5	-	-	-	-	EGT
	310CHPB	310H	Pebble convex	8"	1000/1200 W	120 V 60 Hz	GX9.5	-	-	-	-	EGT
	310CHPC	310H	Plano convex	8"	1000/1200 W	120 V 60 Hz	GX9.5	-	-	-	-	EGT
	329CHF	329H	Fresnel	8"	2000/2500 W	120 V 60 Hz	G22	-	-	-	-	CP92
	329CHPB	329H	Pebble convex	8"	2000/2500 W	120 V 60 Hz	G22	-	-	-	-	CP92
	329CHPC	329H	Plano convex	8"	2000/2500 W	120 V 60 Hz	G22	-	-	-	-	CP92
	325CLF	CIN'K	Fresnel	10"	2000/2500 W	120 V 60 Hz	G22	-	-	-	-	CP92
	350CLF	CIN'K	Fresnel	10"	5000 W	120 V 60 Hz	G38	-	-	-	-	CP29 (DPY)
Discharge	312CLF	CIN'K	Fresnel	10"	1200 W	120 V 60 Hz	G22	Magnetic	No		Separate	MSD / MSR / CSR SE / HSR / USR SE
	326CLFV	CIN'K	Fresnel	10"	2500 W	208 V 60 Hz / 230-245 V 50 Hz	G38	Magnetic	Yes	○	Separate	MSR HR / HMI SE / CSR SEHR / USR SE
	326CLFVE	CIN'K	Fresnel	10"	2500 W	90 ---> 264 V 50/60 Hz	G38	Electronic	Yes		Separate	MSR HR / HMI SE / CSR SEHR / USR SE

• PROFILE SPOTS

STANDARD VERSIONS

	Model	Range	Characteristics							Optic						
			Power	Voltage	Socket	PSU				Lamp ref.	Beam angle		Gobo			
						Type	Hot restrike	DMX ignition control	PSU position		min.	max.	Steel gobo	Glass gobo	Plastic gobo	Gobo size
LED	533	Tibo	75 W	90 → 264 V 50/60 Hz	–	Electronic	Yes	●	Yoke	WW (3000K) / NW (4000K) / CW (6500K) / VW (2700K to 5700K)	15°	45°	Yes	Yes	Yes	M
	643SX	Zep	150 W	90 → 264 V 50/60 Hz	–	Electronic	Yes	●	Internal	WW (3200K) / CW (6000K)	28°	54°	Yes	Yes	Yes	A
	644SX	Zep	150 W	90 → 264 V 50/60 Hz	–	Electronic	Yes	●	Internal	WW (3200K) / CW (6000K)	16°	35°	Yes	Yes	Yes	A
	641SX	Zep	150 W	90 → 264 V 50/60 Hz	–	Electronic	Yes	●	Internal	WW (3200K) / CW (6000K)	11°	26°	Yes	Yes	Yes	A
Tungsten	503	Tibo	300/500/650 W	230 V 50 Hz	G9.5	–	–	–	–	CP81 / CP82 / CP89 / T27 / M40	15°	45°	Yes	Yes	No	M
	513	Tibo	600 W	230 V 50 Hz	G9.5	–	–	–	–	GKV / GLB	15°	45°	Yes	Yes	No	M
	613SX	600SX	1000/1200 W ¹	230 V 50 Hz	GX9.5	–	–	–	–	CP70 / T19 / CP90 / T29	28°	54°	Yes	Yes	No	A
	614SX	600SX	1000/1200 W ¹	230 V 50 Hz	GX9.5	–	–	–	–	CP70 / T19 / CP90 / T29	16°	35°	Yes	Yes	No	A
	611SX	600SX	1000/1200 W ¹	230 V 50 Hz	GX9.5	–	–	–	–	CP70 / T19 / CP90 / T29	11°	26°	Yes	Yes	No	A
	713SX2	700SX2	2000/2500 W	230 V 50 Hz	G22	–	–	–	–	CP91 / CP92	29°	50°	Yes	Yes	No	A
	714SX2	700SX2	2000/2500 W	230 V 50 Hz	G22	–	–	–	–	CP91 / CP92	15°	40°	Yes	Yes	No	A
	710SX2	700SX2	2000/2500 W	230 V 50 Hz	G22	–	–	–	–	CP91 / CP92	10°	25°	Yes	Yes	No	A
711SX2	700SX2	2000/2500 W	230 V 50 Hz	G22	–	–	–	–	CP91 / CP92	8°	16°	Yes	Yes	No	A	
Discharge	523	Tibo	250 W	230-245 V 50 Hz / 208 V 60 Hz	G12	Electronic	No	–	Yoke	CDM-T	15°	45°	Yes	Yes	No	M
	423SX	Quincy	575 W	230-245 V 50 Hz / 120 V 60Hz	G22	Electronic	Yes	–	Yoke	MSD HR	28°	54°	Yes	Yes	No	A
	424SX	Quincy	575 W	230-245 V 50 Hz / 120 V 60 Hz	G22	Electronic	Yes	–	Yoke	MSD HR	16°	35°	Yes	Yes	No	A
	421SX	Quincy	575 W	230-245 V 50 Hz / 120 V 60 Hz	G22	Electronic	Yes	–	Yoke	MSD HR	11°	26°	Yes	Yes	No	A
	933SNX	D'Artagnan	2500 W	230-245 V 50 Hz / 208 V 60 Hz	G38	Magnetic	Yes	●	Separate	MSR HR / HMI SE / CSR SEHR / USR SE	29°	50°	Yes	Yes	No	A
	934SNX	D'Artagnan	2500 W	230-245 V 50 Hz / 208 V 60 Hz	G38	Magnetic	Yes	●	Separate	MSR HR / HMI SE / CSR SEHR / USR SE	16°	38°	Yes	Yes	No	A
	930SNX	D'Artagnan	2500 W	230-245 V 50 Hz / 208 V 60 Hz	G38	Magnetic	Yes	●	Separate	MSR HR / HMI SE / CSR SEHR / USR SE	10°	25°	Yes	Yes	No	A

(1) Consult RJ for 1200 W position

NORTH AMERICAN VERSIONS

	Model	Range	Characteristics							Optic						
			Power	Voltage	Socket	PSU				Lamp ref.	Beam angle		Gobo			
						Type	Hot restrike	DMX ignition control	PSU position		min.	max.	Steel gobo	Glass gobo	Plastic gobo	Gobo size
LED	533C	Tibo	75 W	90 → 264 V 50/60 Hz	–	Electronic	Yes	●	Yoke	WW (3000K) / NW (4000K) / CW (6500K) / VW (2700K to 5700K)	15°	45°	Yes	Yes	Yes	M
	643CSX	Zep	150 W	90 → 264 V 50/60 Hz	–	Electronic	Yes	●	Internal	WW (3200K) / CW (6000K)	28°	54°	Yes	Yes	Yes	A
	644CSX	Zep	150 W	90 → 264 V 50/60 Hz	–	Electronic	Yes	●	Internal	WW (3200K) / CW (6000K)	16°	35°	Yes	Yes	Yes	A
	641CSX	Zep	150 W	90 → 264 V 50/60 Hz	–	Electronic	Yes	●	Internal	WW (3200K) / CW (6000K)	11°	26°	Yes	Yes	Yes	A
Tungsten	503C	Tibo	300/500/650 W	120 V 60 Hz	G9.5	–	–	–	–	FKW / FRG / FRK	15°	45°	Yes	Yes	No	M
	513C	Tibo	600 W	120 V 60 Hz	G9.5	–	–	–	–	GKV / GLB	15°	45°	Yes	Yes	No	M
	613CSX		1000/1200 W	120 V 60 Hz	GX9.5	–	–	–	–	EGT	28°	54°	Yes	Yes	No	A
	614CSX		1000/1200 W	120 V 60 Hz	GX9.5	–	–	–	–	EGT	16°	35°	Yes	Yes	No	A
	611CSX		1000/1200 W	120 V 60 Hz	GX9.5	–	–	–	–	EGT	11°	26°	Yes	Yes	No	A
	713CSX2		2000/2500 W	120 V 60 Hz	G22	–	–	–	–	CP92	29°	50°	Yes	Yes	No	A
	714CSX2		2000/2500 W	120 V 60 Hz	G22	–	–	–	–	CP92	15°	40°	Yes	Yes	No	A
	710CSX2		2000/2500 W	120 V 60 Hz	G22	–	–	–	–	CP92	10°	25°	Yes	Yes	No	A
711CSX2		2000/2500 W	120 V 60 Hz	G22	–	–	–	–	CP92	8°	16°	Yes	Yes	No	A	
Discharge	423CSX	Quincy	575 W	90 → 264 V 50/60 Hz	G22	Electronic	Yes	–	Yoke	MSD HR	28°	54°	Yes	Yes	No	A
	424CSX	Quincy	575 W	90 → 264 V 50/60 Hz	G22	Electronic	Yes	–	Yoke	MSD HR	16°	35°	Yes	Yes	No	A
	421CSX	Quincy	575 W	90 → 264 V 50/60 Hz	G22	Electronic	Yes	–	Yoke	MSD HR	11°	26°	Yes	Yes	No	A
	933CSNX	D'Artagnan	2500 W	208V 60 Hz / 230-245 V 50Hz	G38	Magnetic	Yes	●	Separate	MSR HR / HMI SE / CSR SEHR / USR SE	29°	50°	Yes	Yes	No	A
	934CSNX	D'Artagnan	2500 W	208V 60 Hz / 230-245 V 50 Hz	G38	Magnetic	Yes	●	Separate	MSR HR / HMI SE / CSR SEHR / USR SE	16°	38°	Yes	Yes	No	A
	930CSNX	D'Artagnan	2500 W	208V 60 Hz / 230-245 V 50 Hz	G38	Magnetic	Yes	●	Separate	MSR HR / HMI SE / CSR SEHR / USR SE	10°	25°	Yes	Yes	No	A

Features										Accessories															
DMX Dimmer Shutter	w-DMX w/ DMX	Interchangeable lamp trays	Gel frame holder						Yoke		Gobo holder		Iris	Shutter		Gel filter holder			Internal frosted glass	Clamps					Safety cable
			Single slot			Double slots			Straight	Angled	SGUT	SGUX		D4	D8	PF100M	PF500M2	PF1000M2		VD120	872 (pipes: Ø48 to 51mm)	878 (pipes: Ø35 to 51mm)	876 (pipes: Ø35 to 50mm)	880 (pipes: Ø50 to 63mm)	
			138x138mm	180x180mm	215x215mm	180x180mm	185x185mm	215x215mm					245x245mm												
	○	●						●	○	○		● ⁴		●				○	○				○		
	○	●						●	○		●		● ²		●			○					○		
	○	●						●	○		●		● ²		●			○					○		
	○	●						●	○		●		● ²		●			○					○		
		●						●			● ⁴		●					○	○				○		
		●						●			● ⁴		●					○	○				○		
	●	●						●	○		●		● ²		●			○					○		
	●	●						●	○		●		● ²		●			○					○		
	●	●						●	○		●		● ²		●			○					○		
								●	○		●		● ²		●			○					○		
								●	○		●		● ²		●			○					○		
								●	○		●		● ²		●			○					○		
								●	○		●		● ²		●			○					○		
								●	○		●		● ²		●			○					○		
								●	○		●		● ²		●			○					○		
	●							●	○		●		● ²		●			○				○ ³	○ ³		
	●							●	○		●		● ²		●			○				○ ³	○ ³		
	●							●	○		●		● ²		●			○				○ ³	○ ³		

(4) 4 included (2) Up to 8 shutters: 4 included + 4 optional (3) 2 parts needed ● = Included ○ = Optional

Features										Accessories												
DMX Dimmer Shutter	w-DMX w/ DMX	Interchangeable lamp trays	Gel frame holder				Yoke		Gobo holder		Iris	Shutter		Internal frosted glass	Clamps					Safety cable		
			Single slot		Double slots		Straight	Angled	SGUT	SGUX		D4	D8		VD120	872 (pipes: Ø48 to 51mm)	878 (pipes: Ø35 to 51mm)	876 (pipes: Ø35 to 50mm)	880 (pipes: Ø50 to 63mm)		877 (pipes: Ø35 to 50mm)	
			5" (138x138mm)	7-1/2" (191x191mm)	10" (254x254mm)	7-1/2" (191x191mm)																
	○	●					●		○		● ³			○	○							○
	○						●	○		●		● ¹		○								○
	○						●	○		●		● ¹		○								○
	○						●	○		●		● ¹		○								○
		●					●		○		● ³			○	○							○
		●					●		○		● ³			○	○							○
		●					●	○		●		● ¹		○								○
		●					●	○		●		● ¹		○								○
		●					●	○		●		● ¹		○								○
		●					●	○		●		● ¹		○								○
		●					●	○		●		● ¹		○								○
		●					●	○		●		● ¹		○								○
		●					●	○		●		● ¹		○								○
		●					●	○		●		● ¹		○								○
		●					●	○		●		● ¹		○								○
	●						●	○		●		● ¹		○							○ ²	○ ²
	●						●	○		●		● ¹		○							○ ²	○ ²
	●						●	○		●		● ¹		○							○ ²	○ ²

(3) 4 included (1) Up to 8 shutters: 4 included + 4 optional (2) 2 parts needed ● = Included ○ = Optional

• FOLLOWSPOTS

STANDARD VERSIONS

	Model	Range	Characteristics							
			Power	Voltage	Socket	PSU				Lamp ref.
						Type	Hot restrike	DMX ignition control	PSU position	
Tungsten	1116	Cricket	1000/1200W	230V 50Hz	G22	-	-	-	-	CP71 / CP40 / CP93
	1116A	Cricket	1000/1200W ¹	230V 50Hz	GX9.5	-	-	-	-	CP70 / T19 / CP90 / T29
	1117	Alex	2000/2500W	230V 50Hz	G22	-	-	-	-	CP91 / CP92
	1417	Ginger	2000/2500W	230V 50Hz	G22	-	-	-	-	CP91 / CP92
Discharge	1124D	Buxie	575W	230-245V 50Hz / 120V 60Hz	G22	Electronic	Yes		Yoke	MSD HR
	1119	Topaze	1200W	230-245V 50Hz / 208V 60Hz	G22	Magnetic	No		Separate	MSD
	1419	Manon	1200W	230-245V 50Hz / 208V 60Hz	G22	Magnetic	No		Separate	MSD
	1149	Super Korrigan	1200W	230-245V 50Hz / 208V 60Hz	SFC 15.5-6	Magnetic	Yes	● ²	Separate	HMI GS / CSR DE
	1449	Lucy	1200W	230-245V 50Hz / 208V 60Hz	SFC 15.5-6	Magnetic	Yes	● ²	Separate	HMI GS / CSR DE
	1159	Victor	1800W	230-245V 50Hz / 208V 60Hz	SFC 15.5-6	Electronic	Yes	● ²	Separate	MSR DE
	1459	Flo	1800W	230-245V 50Hz / 208V 60Hz	SFC 15.5-6	Electronic	Yes	● ²	Separate	MSR DE
	1013+	Aramis	2500W	230-245V 50Hz / 208V 60Hz	SFC 21-12	Magnetic	Yes	○ ²	Separate	HMI Short
	1013+M	Aramis	2500W	230-245V 50Hz / 208V 60Hz	SFC 21-12	Electronic	Yes		Separate	HMI Short
	1015	Cyrano	2500W	230-245V 50Hz / 208V 60Hz	SFC 21-12	Magnetic	Yes	○ ²	Separate	HMI Short
	1015M	Cyrano	2500W	230-245V 50Hz / 208V 60Hz	SFC 21-12	Electronic	Yes		Separate	HMI Short
	1021	Lancelot	4000W	230-245V 50Hz / 208V 60Hz	S25.5	Magnetic	Yes	○ ²	Separate	HTI DE
	1021	Lancelot	4000W	230-245V 50Hz / 208V 60Hz	S25.5	Electronic	Yes	○ ²	Separate	HTI DE

(1) consult RJ for 1200 W position

(2) With DMX-motorised dimmer shutter option

NORTH AMERICAN VERSIONS

	Model	Range	Characteristics							
			Power	Voltage	Socket	PSU				Lamp ref.
						Type	Hot restrike	DMX ignition control	PSU position	
Tungsten	1116B	Cricket	1000W	120V 60Hz	G22	-	-	-	-	EGT
	1117C	Alex	2000W	120V 60Hz	G22	-	-	-	-	CP92
	1417C	Ginger	2000W	120V 60Hz	G22	-	-	-	-	CP92
Discharge	1124CD	Buxie	575W	120V 60Hz / 230-245V 50Hz	G22	Electronic	Yes		Yoke	MSD HR
	1119C	Topaze	1200W	208V 60Hz / 230-245V 50Hz	G22	Magnetic	No		Separate	MSD
	1119C	Topaze	1200W	120V 60Hz	G22	Magnetic	No		Separate	MSD
	1419C	Manon	1200W	208V 60Hz / 230-245V 50Hz	G22	Magnetic	No		Separate	MSD
	1419C	Manon	1200W	120V 60Hz	G22	Magnetic	No		Separate	MSD
	1149C	Super Korrigan	1200W	208V 60Hz / 230-245V 50Hz	SFC 15.5-6	Magnetic	Yes		Separate	HMI GS / CSR DE
	1449C	Lucy	1200W	208V 60Hz / 230-245V 50Hz	SFC 15.5-6	Magnetic	Yes		Separate	HMI GS / CSR DE
	1159C	Victor	1800W	208V 60Hz / 230-245V 50Hz	SFC 15.5-6	Electronic	Yes	● ¹	Separate	MSR DE
	1459C	Flo	1800W	208V 60Hz / 230-245V 50Hz	SFC 15.5-6	Electronic	Yes	● ¹	Separate	MSR DE
	1013+C	Aramis	2500W	208V 60Hz / 230-245V 50Hz	SFC 21-12	Magnetic	Yes	○ ¹	Separate	HMI Short
	1013+CM	Aramis	2500W	208V 60Hz / 230-245V 50Hz	SFC 21-12	Electronic	Yes		Separate	HMI Short
	1015C	Cyrano	2500W	208V 60Hz / 230-245V 50Hz	SFC 21-12	Magnetic	Yes	○ ¹	Separate	HMI Short
	1015CM	Cyrano	2500W	208V 60Hz / 230-245V 50Hz	SFC 21-12	Electronic	Yes		Separate	HMI Short
1021	Lancelot	4000W	208V 60Hz / 230-245V 50Hz	S25.5	Magnetic	Yes	○ ¹	Separate	HTI DE	
1021	Lancelot	4000W	208V 60Hz / 230-245V 50Hz	S25.5	Electronic	Yes	○ ¹	Separate	HTI DE	

(1) with DMX-motorised dimmer shutter option

Optic					Features									Accessories															
Beam angle		Gobo			Dimmer Shutter		Progressive frosted glass		Frosted glass on flip lever	Colour correction Filter	Dichroic filter holders (x2)	Colour changer		Handle wrap around	Adjustable Yoke	Gobo holder			Iris		Chopper		Internal frosted glass		Stand				
min.	max.	Metal	Glass	Size	Manual	DMX motorised	Manual	DMX motorised				Boomerang	Push/pull			Boomerang	Push/pull	SGUX	SGUP	SGS	IS 750	CCU1	CCU2	G80	G56	VD120	GT800	GT1000	GT4000
10.5°	22.5°	Yes	Yes	A ⁴								●		●		●					○	○							
10.5°	22.5°	Yes	Yes	A ⁴								●		●		●					○	○							
7°	14.5°	Yes	Yes	A ⁴	●				●			○	●	○	●		●		○		○		○	○	○	○	○	○	
13°	24°	Yes	Yes	A ⁴	●				●			○	●	○	●		●		○		○		○	○	○	○	○	○	
10.5°	22.5°	Yes	Yes	A ⁴	●							●		●		●					○	○							
7°	14.5°	Yes	Yes	A ⁴	●				●	○		●	○	●	○	●		●		○		○		○	○	○	○	○	
13°	24°	Yes	Yes	A ⁴	●				●	○		○	●	○	●		●		○		○		○	○	○	○	○	○	
7°	14.5°	Yes	Yes	A ⁴	●	○			●	○		●	○	●	○	●		●		○		○		○	○	○	○	○	
13°	24°	Yes	Yes	A ⁴	●	○			●	○		○	●	○	●		●		○		○		○	○	○	○	○	○	
7°	14.5°	Yes	Yes	A ⁴	●	○			●	○		●	○	●	○	●		●		○		○		○	○	○	○	○	
13°	24°	Yes	Yes	A ⁴	●	○			●	○		○	●	○	●		●		○		○		○	○	○	○	○	○	
4.5°	8°	Yes	Yes	B ⁵	●	○			●	●		●	○	●	●		●		○					○	○	○	○		
4.5°	8°	Yes	Yes	B ⁵	●	○			●	●		●	○	●	●		●		○					○	○	○	○		
3°	8°	Yes	Yes	B ⁵	●	○	●	○		●	●	●		●	●		●		○					○	○	○	○		
3°	8°	Yes	Yes	B ⁵	●	○	●	○		●	●	●		●	●		●		○					○	○	○	○		
2°	5°	Yes	Yes ³	A ⁴	See specifications							●		●	●	See specifications										○	○		
2°	5°	Yes	Yes ³	A ⁴	See specifications							●		●	●	See specifications										○	○		

(3) Consult RJ

(4) Maximum picture size: 72mm

(5) Maximum picture size: 55mm

● = Included

○ = Optional

Optic					Features									Accessories															
Beam angle		Gobo			Dimmer Shutter		Progressive frosted glass		Frosted glass on flip lever	Colour correction Filter	Dichroic filter holders (x2)	Colour changer		Handle wrap around	Adjustable Yoke	Gobo holder			Iris		Chopper		Internal frosted glass		Stand				
min.	max.	Metal	Glass	Size	Manual	DMX motorised	Manual	DMX motorised				Boomerang	Push/pull			Boomerang	Push/pull	SGUX	SGUP	SGS	IS 750	CCU1	CCU2	G80	G56	VD120	GT800	GT1000	GT4000
10.5°	22.5°	Yes	Yes	A ³								●		●		●					○	○							
7°	14.5°	Yes	Yes	A ³	●				●			○	●	○	●		●		○		○		○	○	○	○	○	○	
13°	24°	Yes	Yes	A ³	●				●			○	●	○	●		●		○		○		○	○	○	○	○	○	
10.5°	22.5°	Yes	Yes	A ³	●							●		●		●					○	○							
7°	14.5°	Yes	Yes	A ³	●				●	○		●	○	●	○	●		●		○		○		○	○	○	○	○	
7°	14.5°	Yes	Yes	A ³	●				●	○		●	○	●	○	●		●		○		○		○	○	○	○	○	
13°	24°	Yes	Yes	A ³	●				●	○		○	●	○	●		●		○		○		○	○	○	○	○	○	
13°	24°	Yes	Yes	A ³	●				●	○		○	●	○	●		●		○		○		○	○	○	○	○	○	
7°	14.5°	Yes	Yes	A ³	●	○			●	○		●	○	●	○	●		●		○		○		○	○	○	○	○	
13°	24°	Yes	Yes	A ³	●	○			●	○		○	●	○	●		●		○		○		○	○	○	○	○	○	
7°	14.5°	Yes	Yes	A ³	●	○			●	○		●	○	●	○	●		●		○		○		○	○	○	○	○	
13°	24°	Yes	Yes	A ³	●	○			●	○		○	●	○	●		●		○		○		○	○	○	○	○	○	
4.5°	8°	Yes	Yes	B ⁴	●	○			●	●		●	○	●	●		●		○					○	○	○	○		
4.5°	8°	Yes	Yes	B ⁴	●	○			●	●		●	○	●	●		●		○					○	○	○	○		
3°	8°	Yes	Yes	B ⁴	●	○	●	○		●	●	●		●	●		●		○					○	○	○	○		
3°	8°	Yes	Yes	B ⁴	●	○	●	○		●	●	●		●	●		●		○					○	○	○	○		
2°	5°	Yes	Yes ²	A ³	See specifications							●		●	●	See specifications										○	○		
2°	5°	Yes	Yes ²	A ³	See specifications							●		●	●	See specifications										○	○		

(2) Consult RJ

(3) Maximum picture size: 72mm

(4) Maximum picture size: 55mm

● = Included

○ = Optional

CREDITS

Cover page 1: Worlds Beyond¹
 Cover page 2: London Royal Albert Hall ; Washington Kennedy Center ; O2 Dome, UK ; Esplanade, Theatres On The Bay, Singapor ; Saint-Petersburg Mariinsky Opera House ; Palau de les Arts Reina Sofia, Valencia, Spain ; Sydney Opera House ; Paris Bastille Opera House ; Copenhagen Opera House
 Page X: War Horse, © Simon Annand
 Page 2: Courtesy of Minack Theatre
 Page 3: Et Moderne Sted¹ ; UN meeting in Mauritius ; Courtesy of Teatro Eliseo di Nuoro ; Palau de les Arts Reina Sofia, Valencia, Spain
 Page 5: Courtesy of Stuart Crane
 Page 6: Tornerose¹ ; Paris Palais Garnier Opera House
 Page 7: Limbs² ; Tosca²
 Page 8: St John's, Smith Square, London, © Joss Gamble, White Light Ltd
 Page 9: La Traviata, @Marijela Margeta Hasimbegovic ; Courtesy of Cinema Teatro di Nonantola, Modena
 Page 10: Vasile Alecsandri National Theatre in Iassi, Romania, ©dBTechnolight ; Courtesy of Richard Challoner School, Kingston, UK
 Page 11: Nicola Dal Maso antepiano Nozze di Figaro ; Courtesy of Teatro Municipale di Piacenza
 Page 12: King Lear, Palais des Papes, © Frédéric Nauczyciel
 Page 13: Manhattan, © Philippe Berthomé ; Nicola Dal Maso antepiano Nozze di Figaro ; La Traviata, © Marijela Margeta Hasimbegovic
 Page 14: Don Giovanni² ; Septembereidans¹ ; Evita, LD: Paule Constable, @Johan Persson
 Page 15: Simon Boccanegra² ; Athens Megaron Concert Hall, Greece ; La Bohème²
 Page 18: Quizz 71, © RTL Group Belgium ; Show me, Germany, © Robert Grischek, Lightpower
 Page 19: Trafalgar Sun, supplied by White Light Ltd ; La Traviata, © Marijela Margeta Hasimbegovic ; Athens Megaron Concert Hall, Greece ; George Mason, USA, © Robert Davis
 Page 20: Hamlet, ©Sebastian Hoppe, Lightpower
 Page 21: Buddy Holly, © Stage Entertainment, Lightpower ; The Black Rider, © Thomas Aurin, Lightpower ; Teatrul de Arta Dramatica Deva, Romania, © dBTechnolight
 Page 22: Killer Pig, CarteBlanche.no, Caroline Eckly, photo ©Erik Berg
 Page 23: Wozzeck, © Philippe Berthomé ; Eugene Onegin¹ ; Pelleas, © Philippe Berthomé ; i>TELE (France) is the first studio to use Aledin 630
 Page 24: Operaen, Copenhagen Opera House, © Lars Schmidt
 Page 25: Coliseum, London, © Grant Smith ; Ben Hur, Stade de France ; La Bohème² ; Las Vegas Colosseum, Cesars Palace
 Page 27: Courtesy of Albert Faura
 Page 28: Cirque Arlette Gruss, L'Autre Monde, @François Dehurtevent
 Page 29: Opéra Royal de Versailles, © Hervé Lewandowski ; Jusqu'à ce que Dieu, Le Quartz © Alain Monot ; i>TELE (France) is the first studio to use Aledin 630
 Page 30: The Talking Tree, le Quartz, © Alain Monot ; Budapest Palace of Arts, Hungary ; Old Vic Theatre, © Philip Vile
 Page 31: Touch¹ ; Opera de Lyon, © Bertrand Boichon ; Grimaldi Forum Monaco, Monte Carlo, @JC. Vinaj, l'Agence; Dresden Semperoper, Germany
 Page 32: Château des ducs de Bretagne, © Alain Guillard ; Goboland Projection ; Chinon Castle
 Page 33: Nicola Dal Maso antepiano Nozze di Figaro ; Paris Car Show ; Cinéscénie, Puy du Fou Theme Park, France
 Page 36: © Alexander Yakovlev
 Page 37: Zepp Namba, Osaka, Japon ; Esplanade du Grimaldi Forum Monaco à Monte Carlo, © Xplora
 Page 38: © Alexander Yakovlev
 Page 39: Alpine Ski WM, Medal Place, © GEPA, Lightpower ; Horse of the Year, UK, © Gwen Harris, White Light Ltd; Vasile Alecsandri National Theatre in Iassi, Romania, © dBTechnolight ; Château des ducs de Bretagne, © Alain Guillard
 Page 40: Quizz 71, © RTL Group Belgium
 Page 41: TV NZ One ; Eurovision Song Contest Slovakia 2009, Courtesy of q-99 ; Striscia TV Studios ; PrimaTV Romania
 Page 42: 2008 Beijing Olympics, © Paul Collison ; Mr. Sha Xiaolan
 Page 43: Royal Opera House ; Maffay 2007, Germany, © Bjoern Gaentzsch, Lightpower ; Victorio & Lucchino Fashion Show, LD: Miguel Fdez. Ubirfa, © Antonio Ruiz Aragó-Estrop ; Jumana Show Portrait, show performed at the Al Sahara Desert Resort
 Pages 44: Miss Saigon, Courtesy of Show Technology ; ICC Birmingham, UK ; Flaggermusen¹
 Page 45: Teatrul de Arta Dramatica Deva ; Victorio & Lucchino Fashion Show, LD: Miguel Fdez. Ubirfa, © Antonio Ruiz Aragó-Estrop
 Page 47: Courtesy of Yves Aucoin
 Page 48: Pro JGS, Czech Republic ; Bangkok Siam Niramit, Thailand ; Don Carlo¹
 Page 49: Victorio & Lucchino Fashion Show, LD: Miguel Fdez. Ubirfa, © Antonio Ruiz Aragó-Estrop ; Robbie Williams ; Holiday On Ice
 Page 50: Courtesy of Tomcat Europe ; Nightwish, © Björn Gaentzsch, Lightpower; Andre Rieu - Düsseldorf 2008
 Page 51: Pur Tour, Germany, © Bjoern Gaentzsch, Lightpower ; La Corte de Faraon, © Tato Baeza Palau de les Arts Reina Sofia ; Hong Kong Academy for Performing Arts
 Page 53: Courtesy of Paul Collison
 Page 54: Cyrano on a chair ; Frontier Lighting, Australia ; Oratoire St Joseph, Montreal, Canada
 Page 55: 2004 Athens Olympic Games Opening Ceremony ; Live Earth Sydney
 Page 56: Courtesy of Holiday on Ice
 Page 57: Andre Rieu Team ; Wembley Stadium, UK ; Live Earth, Germany, © Courtesy of Light Power
 Page 58: 27th Burton US Open Snowboarding Championship, © Jake Stangel
 Page 59: Opening Ceremony of the new OCA Headquarters, Kuwait, © Laurent De La Haye ; Lourdes, May 2008, Courtesy of En Attendant
 Page 61: AG2R Tunisia ; ING Advertising Campaign, © Beam-inc ; Johnnie Walker Advertising Campaign, © Beam-inc ; Pioneer Advertising Campaign, © Beam-inc
 Page 62: Tannhäuser, Geneva Grand Theatre, Switzerland
 Page 63: Cyrano de Bergerac / Das Rheingold²
 Page 64: The Barber of Seville, © Rémi Pichot Duclos ; Svanesjøen¹
 Page 65: Installgood, © Markus Hansen ; Cyrano de Bergerac, © Tato Baeza Palau de les² ; La Bohème² ; Noah
 Page 66: JM SON, France
 Page 67: La Bruja² ; Don Carlo¹ ; Das Rheingold²
 Page 68: Deadbeat¹ ; Royal Opera House, © Paul Hornsby ; Simon Boccanegra²
 Page 69: Fidelio² ; National Theater of Strasbourg (TNS), © Franck Belonde ; Nøtteknekkeren¹
 Page 70: The Queen Diamond Jubilee, UK, Lighting Design Durham Marengi, Photo by Jennie Marengi, courtesy of RWP
 Page 71: Grande halle du Parc de la Villette, © Serge Sautereau ; Siegfried²
 Page 73: Courtesy of Holiday On Ice
 Cover page 3: Palacio De Bellas Artes, Mexico ; Oriental Art Center, Shanghai ; Monaco Montecarlo Grimaldi Forum, ©Xplora ; Skk Yerevan, Armenia ; National Centre for the Performing Arts, Beijing ; Antalya, Turkey ; New York Metropolitan Theatre "The Met" ; Place Des Arts, Montreal, Canada ; Milano Teatro alla Scala, Italy

(?) Palais des Arts de la Reine Sofia, © Tato Baeza

(1) Courtesy of Oslo Opera House

Our deepest apologies to those whom we could not include due to lack of space.

No-contractual photos. Reproduction forbidden without Robert Juliat's written authorization.

Robert Juliat reserves the right to change any item or information detailed in this brochure or to improve manufacturing techniques without prior notice.

ROBERT JULIAT IS THE PROUD SUPPLIER OF (CONT.): AMSTERDAM SCHOOL OF THE ARTS, THE NETHERLANDS - HONG KONG ACADEMY FOR PERFORMING ARTS - ELTON JOHN - NATIONAL OPERA HOUSE, HELSINKI, FINLAND - RAI RADIOTELEVISIONE ITALIANA - BMW WORLD, MÜNICH, GERMANY - GLYNDEBOURNE THEATRE FESTIVAL, UK - SKK YEREVAN, ARMENIA - THE EUROPEAN PARLIAMENT, BRUSSELS, BELGIUM - GOLD REEF CITY LYRIC THEATRE, SOUTH AFRICA - MTV STUDIOS, USA - ROMA TEATRO DELLE VITTORIE, ITALY - DOHA AL WABJAH ROYAL PALACE, QATAR - SYDNEY OPERA HOUSE, AUSTRALIA - ROYAL SHAKESPEARE COMPANY, UK - ZADAR CROATIAN NATIONAL THEATRE - MADONNA - FESTIVAL OF AVIGNO, FRANCE - CAPE CROSS STUDIO & FILMLICHT GMBH KÖLN, GERMANY - BARCELONA EL LICEO OPERA HOUSE, SPAIN - HANOI NATIONAL CONVENTION CENTRE, VIETNAM - ATHENS NATIONAL THEATRE, GREECE - NBC STUDIOS, USA - VÖRÖSMARTY THEATRE SZEKESFEHÉRVAR, HUNGARY - THE ROYAL THEATRE BALLET SCHOOL, ODENSE, DENMARK - CIRQUE DU SOLEIL SHOWS - WARSAW POLISH NATIONAL OPERA - LISBON SAN CARLOS NATIONAL THEATRE, PORTUGAL - PARIS CAR SHOW - SOREAD-2M TV, CASABLANCA, MOROCCO - MONACO GARNIER OPERA - WALT DISNEY THEME PARKS - PARIS-BERCY SPORTS AND CONCERTS ARENA - KOREA NATIONAL UNIVERSITY OF ARTS - WASHINGTON KENNEDY CENTRE, USA - TELEVISION NZ ONE - JACKIE CHEUNG WORLD TOUR - NATIONAL OPERA COMIC THEATRE, FRANCE - THE MARIN SORESCU NATIONAL THEATRE, ROMANIA - BANGKOK COMMUNITY THEATRE, THAILAND - CARTAGENA THEATRE



FESTIVAL, TUNISIA - THE FRENCH SENATE - MACAU AND LAS VEGAS CASINOS - ZURICH OPERA HOUSE, SWITZERLAND - UNIVERSAL STUDIOS, USA - RIO DE JANEIRO CITY THEATRE, BRAZIL - LONDON BARBICAN CONCERT HALL - CHINA CENTRAL TELEVISION (CCTV) - MONTREUX JAZZ FESTIVAL, SWITZERLAND - SAITAMA ARTS THEATRE, JAPAN - SEVILLE LA MAESTRANZA OPERA, SPAIN - MELBOURNE VICTORIA ARTS CENTER, AUSTRALIA - UNIVERSITY OF CALIFORNIA LOS ANGELES (UCLA) - TV ULANBATAR, MONGOLIA - PRAGUE NATIONAL THEATRE OPERA & BALLET, CZECH REPUBLIC - BANGKOK SIAM PARAGON, THAILAND - SÃO JOÃO NATIONAL THEATRE PORTO, PORTUGAL - AL-KASABA THEATRE AND CINEMATHEQUE, PALESTINE - NAGASAKI BRICK HALL - ZAGREB YOUTH THEATRE, CROATIA - SAN DIEGO OPERA HOUSE, USA - JEAN-MICHEL JARRE - LONDON O2 DOME - TEATRO ARGENTINO DE LA PLATA, ARGENTINA - RATCHADA GRAND THEATRE, BANGKOK, THAILAND - CANADIAN OPERA COMPANY - DUBAI MALL - SANTA FE OPERA HOUSE, USA - TOKYO NEW NATIONAL THEATRE - ISTANBUL AKM OPERA AND BALLET HOUSE, TURKEY - SINGAPORE REPUBLIC POLYTECHNIC - GRAN TEATRO DE LA HAVANA, OPERA HOUSE, CUBA - ATHENS AND BEIJING OLYMPIC GAMES - HENAN TV - SAN FRANCISCO OPERA HOUSE - ROBBIE WILLIAMS - PRETORIA STATE THEATRE, SOUTH AFRICA - HANYANG UNIVERSITY, SEOUL, KOREA - EIFFEL TOWER BALLROOM, FRANCE - OXFORD PLAYHOUSE, UK - ZAGREB CROATIAN NATIONAL THEATRE - KUALA LUMPUR GENTING CASINO, MALAYSIA - MACAU VENETIAN ARENA - TEATRO NACIONAL RUBEN DARIO, MANAGUA, NICARAGUA - BANGKOK SIAM NIRAMIT, THAILAND - MELBOURNE COMMONWEALTH GAMES - DOHA GULF CUP - MATSUMOTO PERFORMING ARTS CENTER

